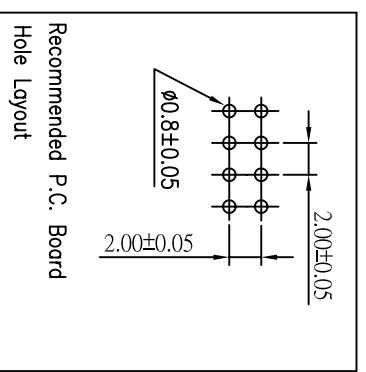
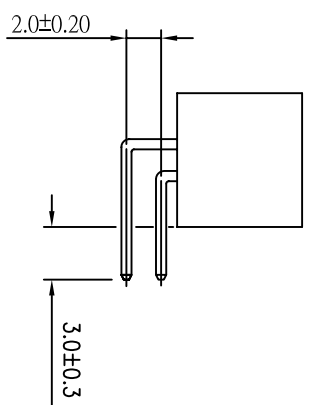
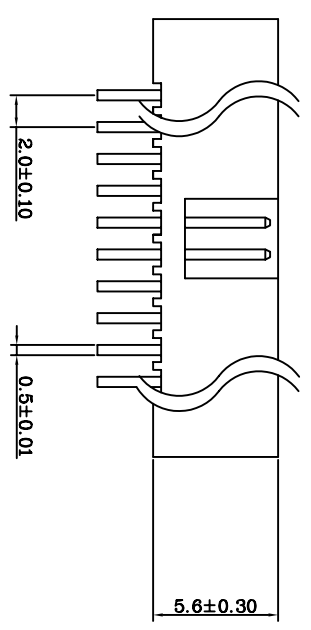
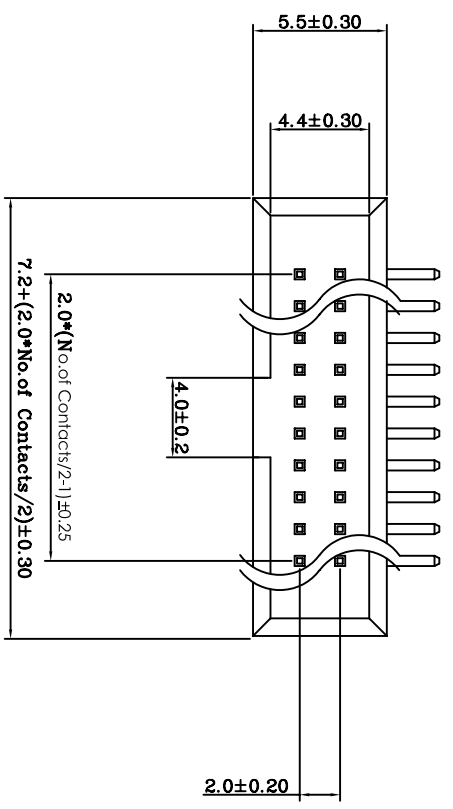
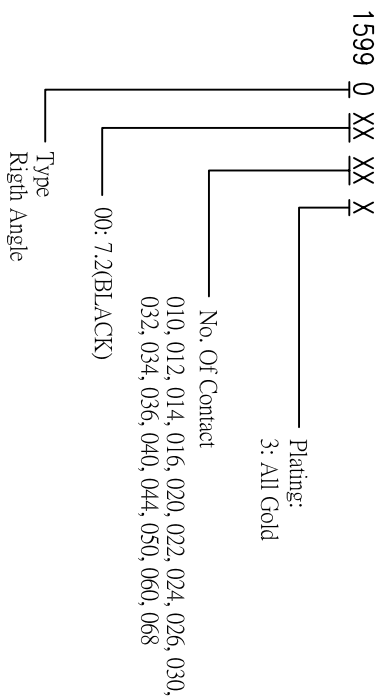


CUSTOMER COPY



ORDER INFORMATION



REV	ECN NO.	APP.	DATE
A	NEW DESIGN		

SPECIFICATION

- * Current Rating: 1 A
- * Withstanding Voltage: 500 VAC (1 min.)
- * Insulation Resistance: 1000 Megohms min.
- * Contact Resistance: 30 Milliohms max.
- * Operating Temperature: -40°C to +85°C
- * Retention Force: 1 kg MIN.

MATERIAL

- * Contact: Brass, 0.50mm Square post
- * Insulator: PBT & 30% G.F.
- * Plating: Gold

		ACMELUX CO., LTD.	
TEL.:886-2-85124595		FAX:886-2-85124322	
0.0±	SCALE:	TITLE:	PART NO: 119120
0.00±	UNIT:	2.00X2.00MM (.079"*.079")	APP BY:
0.000±	MM	R/A BOX HEADER	CHK BY:
MATERIAL:		DR BY: JACK LIN	
DWG. NO. C159900XXXX			