

ADAM TECH

ADAM TECHNOLOGIES INC.

.100" DISCONNECTABLE CONNECTOR SYSTEM

.100" [2.54] CENTERLINE
LHA / MTA SERIES

INTRODUCTION:

Adam Tech .100" Disconnectable Connector System is comprised of crimp terminal housings, crimp contacts and friction lock .025" sq. post Pin Headers. They provide a secure economical interconnect method to attach discrete wires to a PC board. The Pin headers friction lock backwall provides a polarized secure latching mechanism with added pin protection. The Housing and Crimp Contact feature a high-pressure, double cantilever design which provides a long wiping action when mated and can be used with a wide range of wire sizes (30-22 AWG). Together they form a fast, effective interconnection system which is polarized and resistant against shock.

FEATURES:

- .025" sq. tin-plated posts
- Stackable end to end
- Two low profile versions
- Available in 2 - 20 positions

MATING OPTIONS:

Mates with Adam Tech MTA Series wire housing and all industry standard compatible connectors

SPECIFICATIONS:

Material:

Insulator: Nylon 6/6 rated UL 94V-0

Contacts: Phosphor Bronze

Plating:

100 µin bright tin plate to MIL-T-10727, Type 1 with 50 µin copper underplate to MIL-C-14550. Optional 5 µin gold to MIL-G-45204, Type II, Grade C

Electrical:

Operation voltage: 250 VAC max

Current rating: 3 Amps max

Contact resistance: 20 mΩ max

Insulation resistance: 5000 MΩ min @ 1000 VDC between adjacent contacts (75°F and 50% R.H.)

Dielectric withstanding voltage: 1000 VAC min rms (sea level)

Mechanical:

Pin push out force: 2 lbs. min

Environmental:

Operating temperature: -65°C to +125°C

PACKAGING:

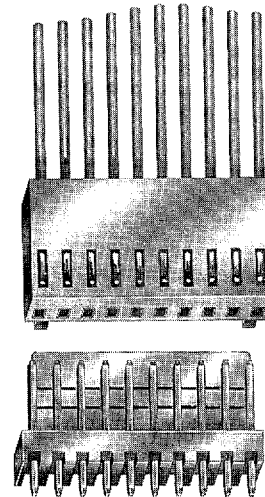
Bulk-packed plastic bags

APPROVALS AND CERTIFICATIONS:

Recognized under the component program

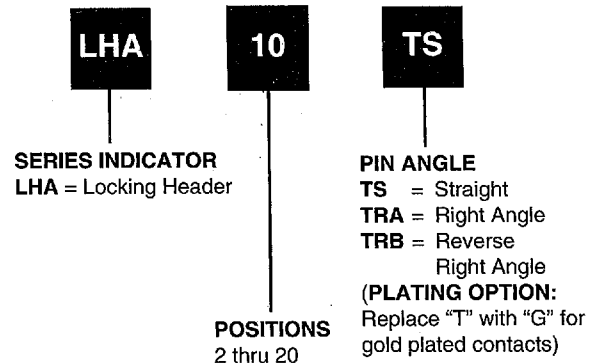
of Underwriters Laboratories, Inc. No. E167232

Certified by Canadian Standards Association No. LR75112

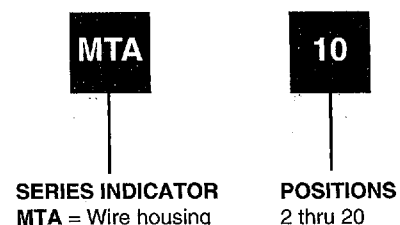


ORDERING INFORMATION

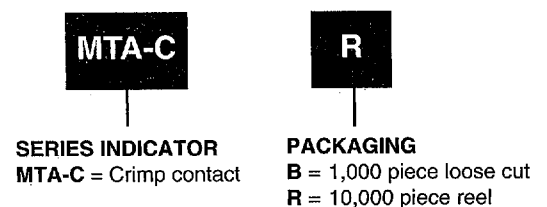
FRICITION LOCK HEADER



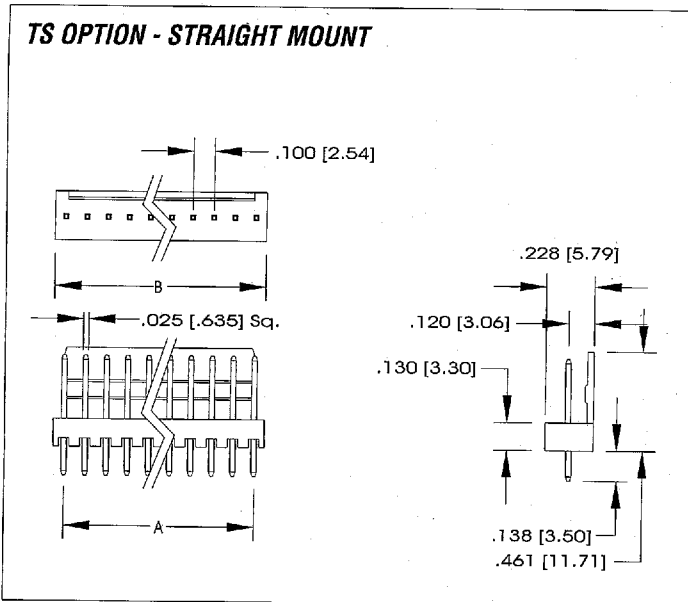
HOUSING



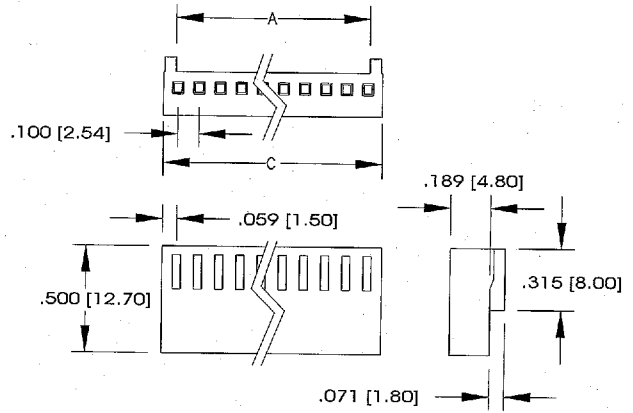
CRIMP CONTACT



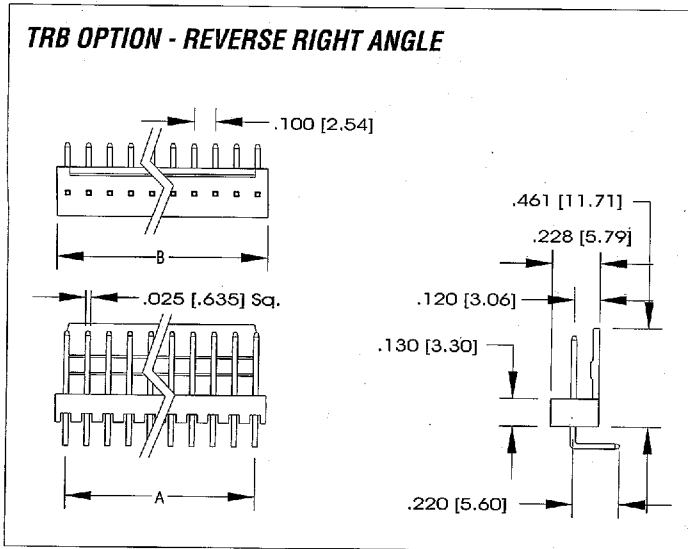
TS OPTION - STRAIGHT MOUNT



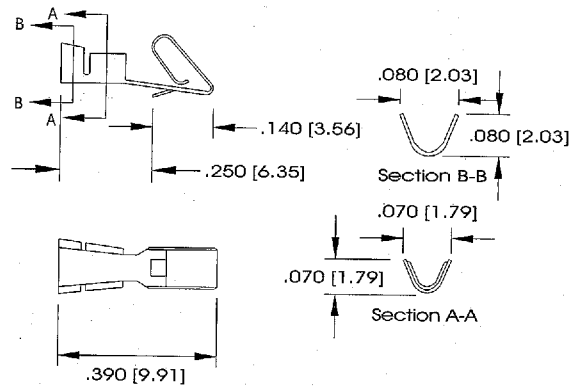
MTA HOUSING



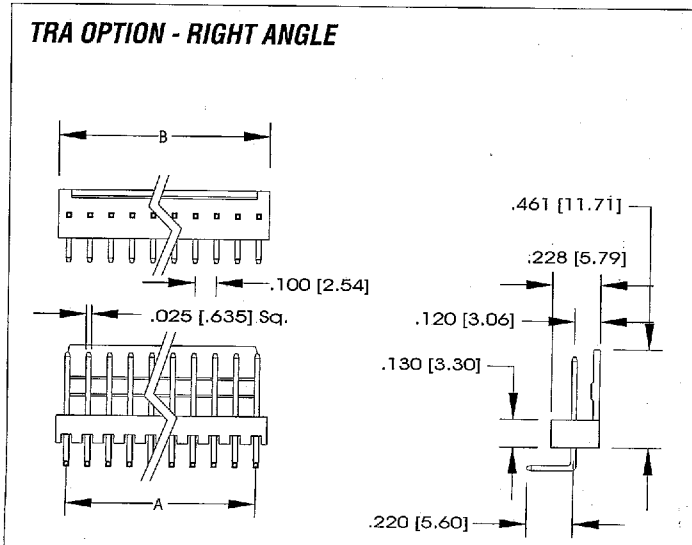
TRB OPTION - REVERSE RIGHT ANGLE



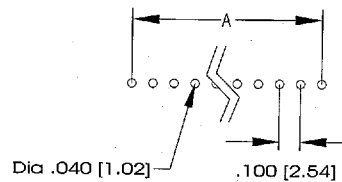
MTA-C CRIMP CONTACT



TRA OPTION - RIGHT ANGLE



PC Board Layout



A = .100 [2.54] x No. of Spaces
 B = .100 [2.54] x No. of Spaces + .083 [2.10]
 C = .100 [2.54] x No. of Spaces + .126 [3.20]

9017931 0000187 956