

SR1620 THRU SR1660



16.0 AMP SCHOTTKY BARRIER RECTIFIERS



FEATURES

- * Low forward voltage drop
- * High current capability
- * High reliability
- * High surge current capability
- * Epitaxial construction

MECHANICAL DATA

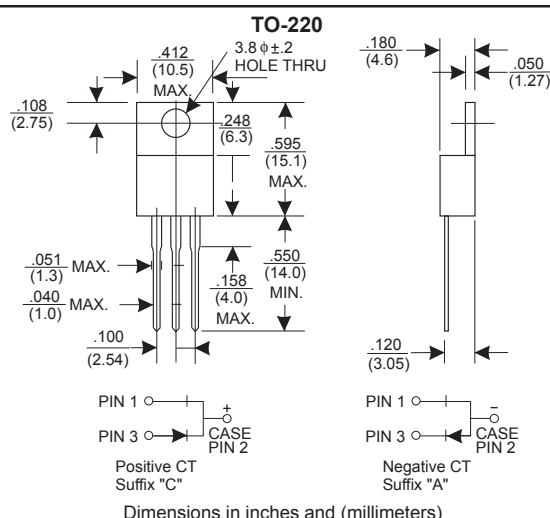
- * Case: Molded plastic
- * Epoxy: UL 94V-0 rate flame retardant
- * Lead: Lead solderable per MIL-STD-202, method 208 guaranteed
- * Polarity: As Marked
- * Mounting position: Any
- * Weight: 2.24 grams

VOLTAGE RANGE

20 to 60 Volts

CURRENT

16.0 Amperes



MAXIMUM RATINGS AND ELECTRICAL CHARACTERISTICS

Rating 25°C ambient temperature unless otherwise specified.
Single phase half wave, 60Hz, resistive or inductive load.
For capacitive load, derate current by 20%.

TYPE NUMBER	SR1620	SR1630	SR1635	SR1640	SR1645	SR1650	SR1660	UNITS	
Maximum Recurrent Peak Reverse Voltage	20	30	35	40	45	50	60	V	
Maximum RMS Voltage	14	21	24	28	31	35	42	V	
Maximum DC Blocking Voltage	20	30	35	40	45	50	60	V	
Maximum Average Forward Rectified Current									
See Fig. 1								16	A
Peak Forward Surge Current, 8.3 ms single half sine-wave superimposed on rated load (JEDEC method)								150	A
Maximum Instantaneous Forward Voltage per Leg at 8.0A			0.65				0.75	V	
Maximum DC Reverse Current				10				mA	
at Rated DC Blocking Voltage				100				mA	
Typical Junction Capacitance (Note1)				700				pF	
Typical Thermal Resistance RθJC (Note 2)				3.0				°C/W	
Operating Temperature Range T _J				-65 — +125				°C	
Storage Temperature Range T _{STG}				-65 — +150				°C	

NOTES:

1. Measured at 1MHz and applied reverse voltage of 4.0V D.C.
2. Thermal Resistance Junction to Case.

RATING AND CHARACTERISTIC CURVES (SR1620 THRU SR1660)

FIG.1-TYPICAL FORWARD CURRENT DERATING CURVE

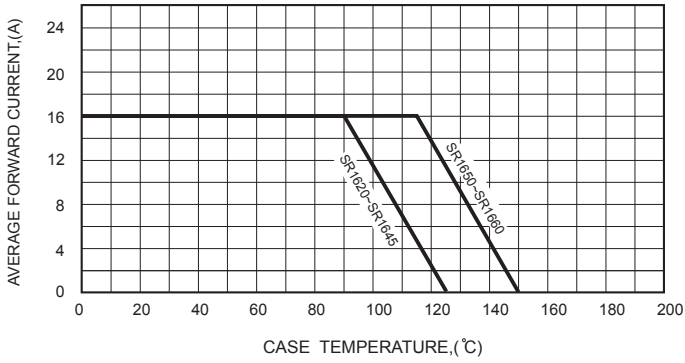


FIG.2-TYPICAL FORWARD CHARACTERISTICS

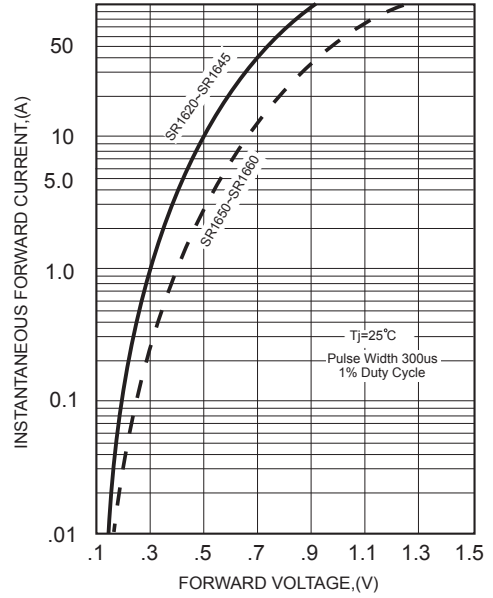


FIG.3-MAXIMUM NON-REPETITIVE FORWARD SURGE CURRENT

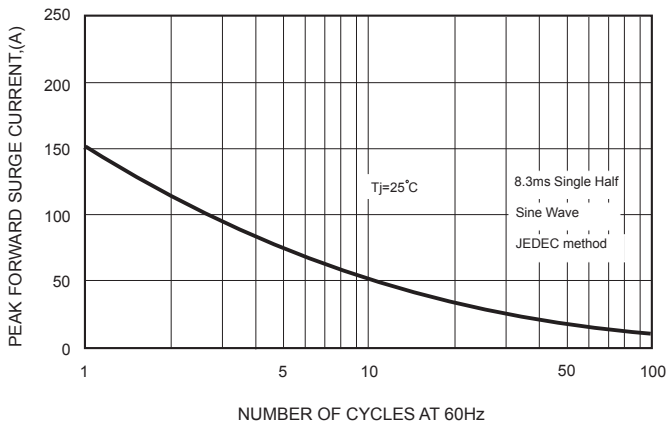


FIG.5 - TYPICAL REVERSE CHARACTERISTICS

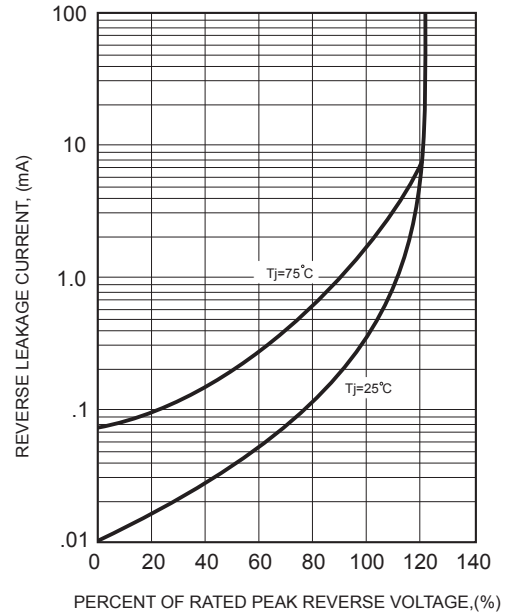


FIG.4-TYPICAL JUNCTION CAPACITANCE

