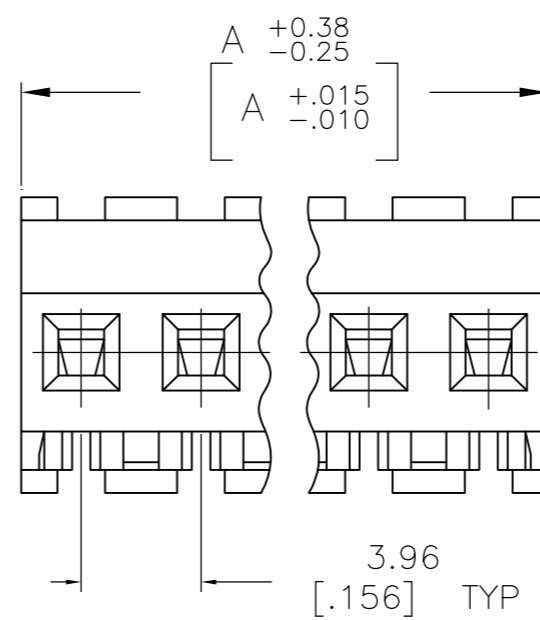
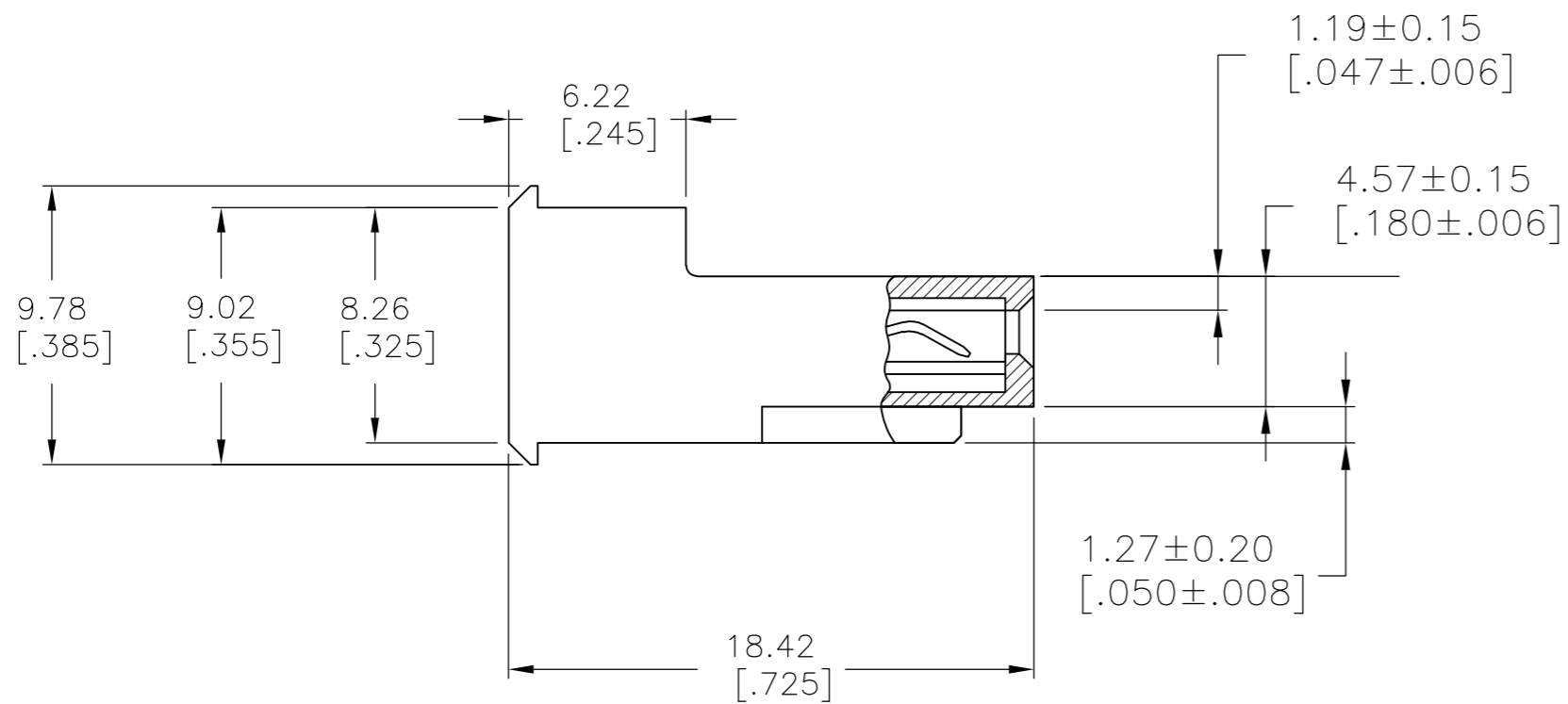
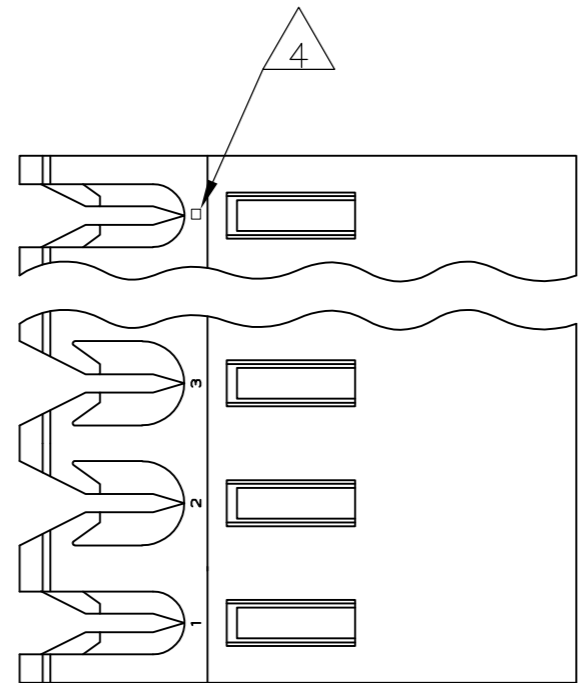


THIS DRAWING IS UNPUBLISHED. RELEASED FOR PUBLICATION  
 © COPYRIGHT - By - ALL RIGHTS RESERVED.

| LOC | DIST | REVISIONS   |                           |           |        |
|-----|------|-------------|---------------------------|-----------|--------|
| P   | LTR  | DESCRIPTION | DATE                      | DWN       | APVD   |
| CM  | 54   | S3          | REVISED PER ECR-17-018209 | 16MAY2018 | BDA SG |



| DIM A         | NO OF CIRCUITS | PART NO               |
|---------------|----------------|-----------------------|
| 95.10 [3.744] | 24             | 5-640607-4            |
| 91.14 [3.588] | 23             | 5-640607-3            |
| 87.17 [3.432] | 22             | 5-640607-2            |
| 83.21 [3.276] | 21             | 5-640607-1            |
| 79.25 [3.120] | 20             | 5-640607-0            |
| 75.29 [2.964] | 19             | 4-640607-9            |
| 71.32 [2.808] | 18             | 4-640607-8            |
| 67.36 [2.652] | 17             | 4-640607-7            |
| 63.40 [2.496] | 16             | 4-640607-6            |
| 59.44 [2.340] | 15             | 4-640607-5            |
| 55.47 [2.184] | 14             | 4-640607-4            |
| 51.51 [2.028] | 13             | 4-640607-3            |
| 47.55 [1.872] | 12             | 4-640607-2            |
| 43.59 [1.716] | 11             | 4-640607-1            |
| 39.62 [1.560] | 10             | 4-640607-0            |
| 35.66 [1.404] | 9              | 3-640607-9            |
| 31.70 [1.248] | 8              | 3-640607-8            |
| 27.74 [1.092] | 7              | 3-640607-7            |
| 23.77 [.936]  | 6              | 3-640607-6            |
| 19.81 [.780]  | 5              | 3-640607-5            |
| 15.85 [.624]  | 4              | 3-640607-4            |
| 11.89 [.468]  | 3              | 3-640607-3            |
| 7.92 [.312]   | 2              | 3-640607-2            |
| 95.10 [3.744] | 24             | <del>2-640607-4</del> |
| 91.14 [3.588] | 23             | <del>2-640607-3</del> |
| 87.17 [3.432] | 22             | <del>2-640607-2</del> |
| 83.21 [3.276] | 21             | <del>2-640607-1</del> |
| 79.25 [3.120] | 20             | <del>2-640607-0</del> |
| 75.29 [2.964] | 19             | <del>1-640607-9</del> |
| 71.32 [2.808] | 18             | <del>1-640607-8</del> |
| 67.36 [2.652] | 17             | <del>1-640607-7</del> |
| 63.40 [2.496] | 16             | <del>1-640607-6</del> |
| 59.44 [2.340] | 15             | <del>1-640607-5</del> |
| 55.47 [2.184] | 14             | <del>1-640607-4</del> |
| 51.51 [2.028] | 13             | <del>1-640607-3</del> |
| 47.55 [1.872] | 12             | <del>1-640607-2</del> |
| 43.59 [1.716] | 11             | <del>1-640607-1</del> |
| 39.62 [1.560] | 10             | <del>1-640607-0</del> |
| 35.66 [1.404] | 9              | <del>640607-9</del>   |
| 31.70 [1.248] | 8              | <del>640607-8</del>   |
| 27.74 [1.092] | 7              | <del>640607-7</del>   |
| 23.77 [.936]  | 6              | <del>640607-6</del>   |
| 19.81 [.780]  | 5              | <del>640607-5</del>   |
| 15.85 [.624]  | 4              | <del>640607-4</del>   |
| 11.89 [.468]  | 3              | <del>640607-3</del>   |
| 7.92 [.312]   | 2              | <del>640607-2</del>   |

- 1 MATERIAL: CONNECTOR - NYLON UL94V-2 (WHITE)  
CONTACTS - 0.30[.012] THICK COPPER ALLOY  
(BRIGHT TIN-LEAD 0.00203[.000080] MIN. THICK FOR CONTACTS 640607-2 THRU 2-640607-4)  
(MATTE WHISKER MITIGATED TIN 0.00203[.000080] MIN THICKNESS OVER NICKEL UNDERPLATE FOR 3-640607-2 THRU 5-640607-4).
- 2 CONTACTS ACCEPT 24 AWG WIRE WITH 2.41[.095] MAX INSULATION DIAMETER.
- 3 CONTACTS MUST ACCEPT 1.14±0.03[.045±.001] SQUARE POST AND REMAIN LOCKED IN POSITION.
- 4 IDENTIFICATION NUMBER FOR LAST CIRCUIT MAY NOT APPEAR ON ALL ASSEMBLIES.
- 5 DIMENSIONS IN BRACKETS ARE IN INCHES.
- 6 HOUSING FEATURES ARE: FEED-THRU WITHOUT LOCKING RAMP.
- 7 OBSOLETE PARTS: OBSOLETE CIS STREAMLINING PER D.RENAUD/D.SINISI
- 8 OBSOLETE PARTS

|   |  |                              |   |                    |
|---|--|------------------------------|---|--------------------|
| THIS DRAWING IS A CONTROLLED DOCUMENT.  |  | DWN<br>B. LEWIS<br>12FEB91   | TE Connectivity                                 |                    |
| DIMENSIONS:<br>mm [INCHES]  |  | CHK<br>R. SWING<br>12FEB91   | NAME  |                    |
| TOLERANCES UNLESS OTHERWISE SPECIFIED:<br>0 PLC ± -<br>1 PLC ± -<br>2 PLC ± -<br>3 PLC ± 0.13 [.005]<br>4 PLC ± -<br>ANGLES ± -<br>FINISH |  | APVD<br>D. CLARK<br>19FEB91  | MTA-156 CONNECTOR ASSEMBLY,<br>24 AWG, STANDARD |                    |
| MATERIAL  |  | PRODUCT SPEC<br>108-1051     | SIZE<br>A2                                      | CAGE CODE<br>00779 |
| 1   |  | APPLICATION SPEC<br>114-1020 | DRAWING NO<br>C-640607                          | RESTRICTED TO<br>- |
| 1   |  | WEIGHT                       | SCALE<br>4:1                                    | SHEET<br>1 OF 1    |
| CUSTOMER DRAWING  |  | REV<br>S3                    |   |                    |