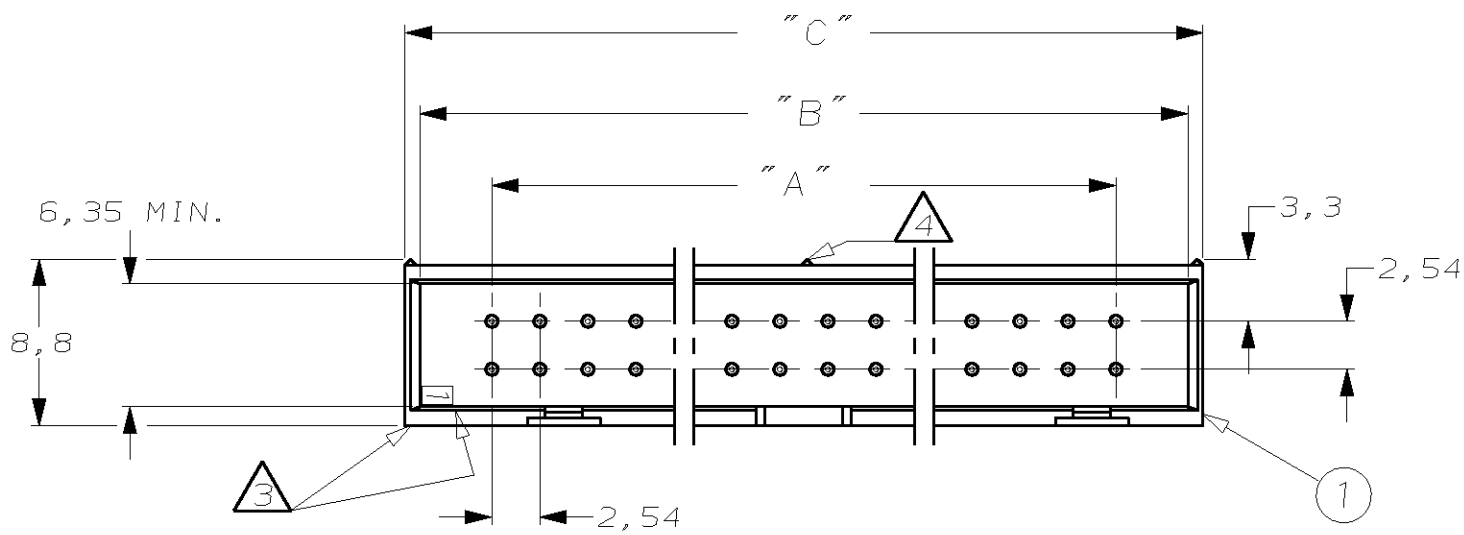
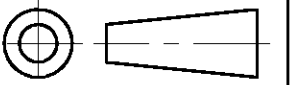


DO NOT SCALE

DIMENSIONS IN mm

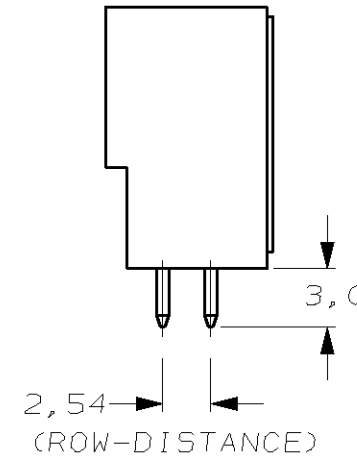
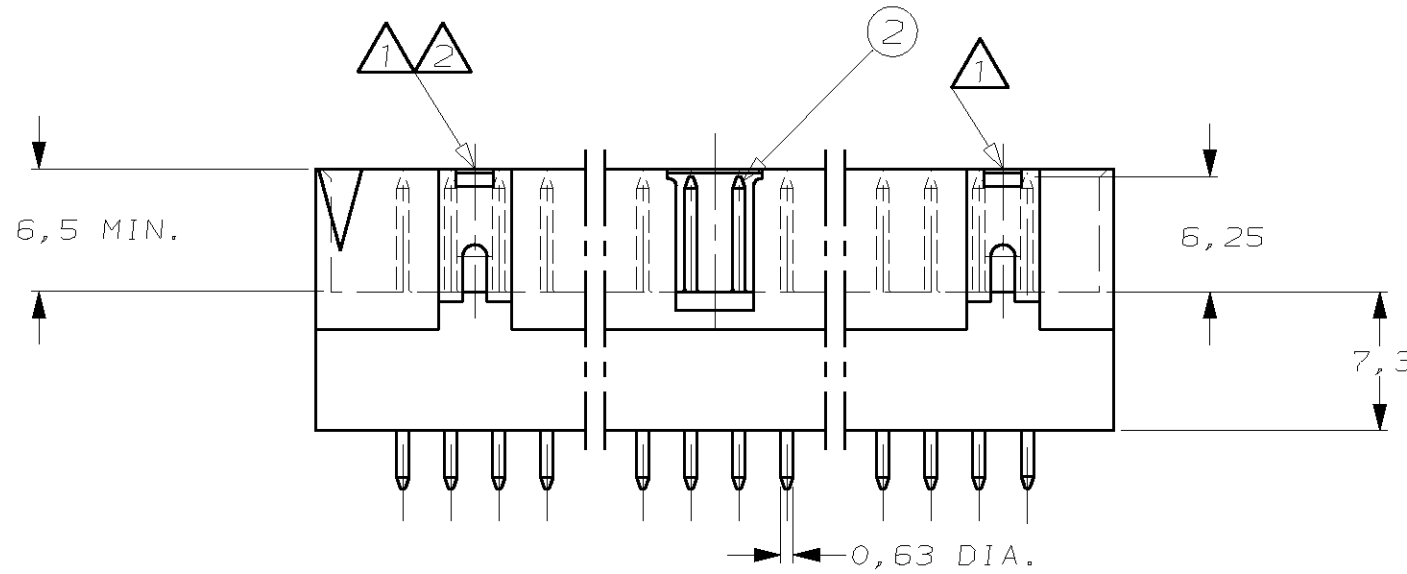
METRIC

THIRD ANGLE
PROJECTION

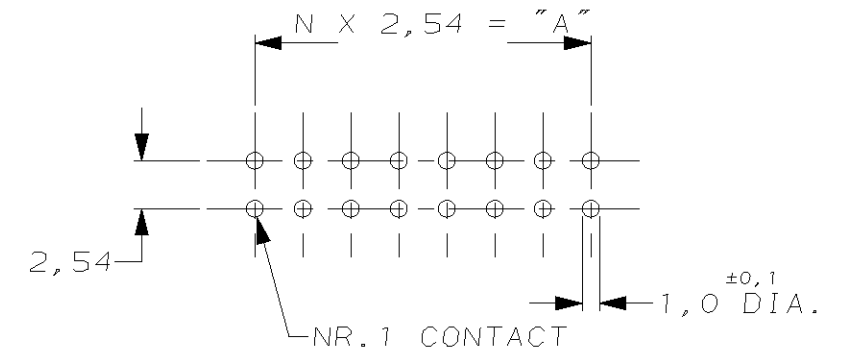


NOTES

- ① SNAP-IN POLARIZERS PN. 927636-2 OR 927637-2 CAN BE APPLIED.
- ② THERE IS NO WINDOW FOR SNAP-IN POLARIZERS AT THIS END IN 10 AND 14 POS. HEADERS.
- ③ INDICATION OF FIRST POSITION.
- ④ THERE IS NO CENTER STAND-OFF IN 10-26 POS. HEADERS.



RECOMMENDED PCB-HOLE PATTERN



| | | | | |
|------|------|------|----|------------|
| 87,9 | 86,4 | 78,7 | 64 | 6-827745-4 |
| 82,9 | 81,3 | 73,7 | 60 | 6-827745-0 |
| 70,2 | 68,6 | 61,0 | 50 | 5-827745-0 |
| 62,5 | 61,0 | 53,3 | 44 | 4-827745-4 |
| 57,5 | 55,9 | 48,3 | 40 | 4-827745-0 |
| 49,8 | 48,3 | 40,6 | 34 | 3-827745-4 |
| 44,8 | 43,2 | 35,6 | 30 | 3-827745-0 |
| 39,7 | 38,1 | 30,5 | 26 | 2-827745-6 |
| 37,1 | 35,6 | 27,9 | 24 | 2-827745-4 |
| 32,1 | 30,5 | 22,9 | 20 | 2-827745-0 |
| 27,0 | 25,4 | 17,8 | 16 | 1-827745-6 |
| 24,4 | 22,9 | 15,2 | 14 | 1-827745-4 |
| 19,4 | 17,8 | 10,2 | 10 | 1-827745-0 |

| | | |
|----------------|-----------------------|--|
| ② PIN-CONTACT | BRASS | MATING SIDE: 0,8µm AU OR 0,8µm AMP DURAGOLD®/ OVER 1,27µm NI SOLDER SIDE: MIN. 3,0µm SN OVER 1,27µm NI |
| ① HOUSING | GLASSFILLED POLYESTER | BLACK |
| COMPONENT NAME | MATERIAL | PLATING/COLOUR |

CUSTOMER DRAWING FOR REFERENCE ONLY
WILL NOT BE UPDATED
© COPYRIGHT 19- BY AMP HOLLAND B.V.
ALL INTERNATIONAL RIGHTS RESERVED. AMP PRODUCTS MAY BE
COVERED BY U.S. AND FOREIGN AND/OR PATENTS PENDING.
THIS DRAWING IS UNPUBLISHED
RELEASED FOR PUBLICATION - ,19 -
AMP AMP HOLLAND B.V.
's-Hertogenbosch,
The Netherlands.

| | | | | | | | | | | | | | |
|-------|------------|-------|---------------|-------|------------|---------|----------|------|-------|-------|--------|----------|----|
| DR. | J.v.LIEMPT | CHK. | R.VERSTIJNEN. | APP. | L.V.SOEST. | DWG.No. | C-827745 | LOC. | AI A3 | SHEET | 1 OF 1 | REV.LTR. | C1 |
| DATE: | 29 NOV 93 | DATE: | - | DATE: | - | | | | | | | | |

| DIM. "C" | DIM. "B" | DIM. "A" | NR. OF POSITIONS | PARTNUMBER |
|----------|----------|----------|------------------|------------|
|----------|----------|----------|------------------|------------|

8 7 6 5 4 3 2 1