



78DXXA

LINEAR INTEGRATED CIRCUIT

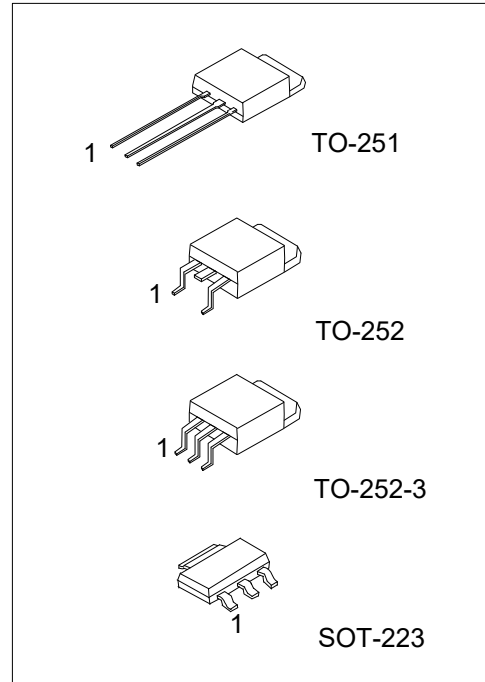
3-TERMINALS 1A POSITIVE VOLTAGE REGULATOR

■ DESCRIPTION

The UTC **78DXXA** family is monolithic fixed voltage regulator integrated circuit. They are suitable for applications that required supply current up to 1 A.

■ FEATURES

- * Peak output current up to 1A.
- * Fixed output voltage of 5V, 6V, 7V, 8V, 9V, 10V, 12V, 15V, 18V, 20V and 24V available.
- * Thermal overload shutdown protection.
- * Short circuit current limiting.
- * Output transistor SOA protection.



■ ORDERING INFORMATION

Ordering Number		Package	Pin Assignment			Packing
Lead Free	Halogen Free		1	2	3	
78DXXAL-AA3-R	78DXXAG-AA3-R	SOT-223	I	G	O	Tape Reel
78DXXAL-TM3-T	78DXXAG-TM3-T	TO-251	I	G	O	Tube
78DXXAL-TN3-R	78DXXAG-TN3-R	TO-252	I	G	O	Tape Reel
78DXXAL-TNA-R	78DXXAG-TNA-R	TO-252-3	I	G	O	Tape Reel

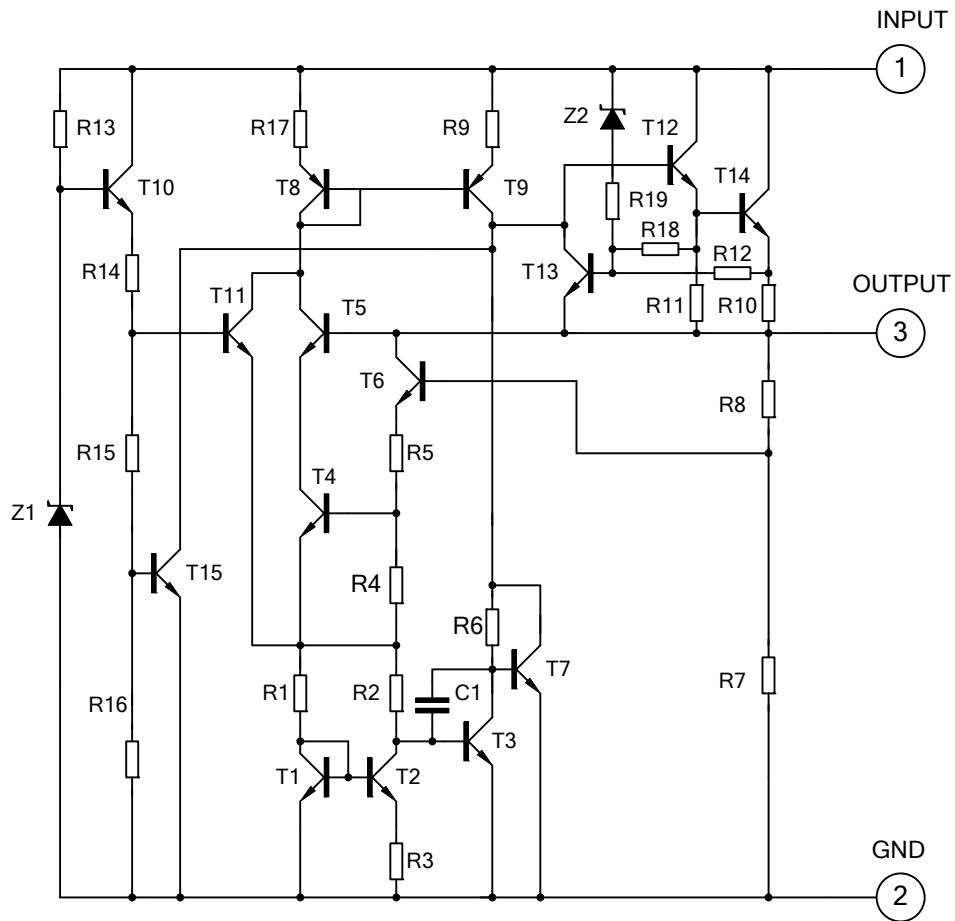
Note: Pin Code: I: Input G: GND O: Output

<p>78DXXAG-AA3-R</p> <p>(1)Packing Type (2)Package Type (3)Green Package (4)Output Voltage Code</p>	<p>(1) R: Tape Reel, T: Tube (2) AA3: SOT-223, TM3: TO-251, TN3: TO-252, TNA: TO-252-3 (3) G: Halogen Free and Lead Free, L: Lead Free (4) XX: refer to Marking Information</p>
---	---

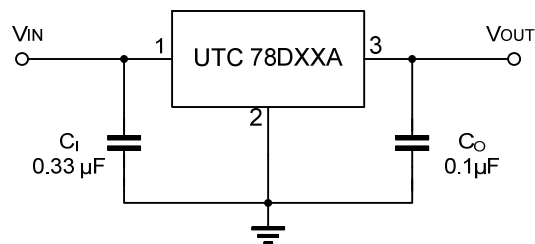
MARKING INFORMATION

PACKAGE	VOLTAGE CODE	MARKING
SOT-223	05: 5V 06: 6V 07: 7V 08: 8V 09: 9V 10: 10V	<p>Voltage Code ← 78DXXA → L: Lead Free G: Halogen Free Date Code</p> <p>1 2 3</p>
TO-251 TO-252 TO-252-3	12: 12V 15: 15V 18: 18V 20: 20V 24: 24V	<p>UTC 78DXXA → L: Lead Free G: Halogen Free Date Code</p> <p>Voltage Code ← Lot Code →</p> <p>1 2 3</p>

■ BLOCK DIAGRAM



■ APPLICATION CIRCUIT



Note: Bypass capacitors are recommended for optimum stability and transient response and should be located as close as possible to the regulators.

■ ABSOLUTE MAXIMUM RATINGS ($T_A = 25^\circ\text{C}$, unless otherwise specified)

PARAMETER	SYMBOL	RATINGS	UNIT
Input Voltage	V_{IN}	35	V
Output Current	I_{OUT}	1	A
Power Dissipation ($T_C=25^\circ\text{C}$)	SOT-223	8.3	W
	TO-251/TO-252	10	
	TO-252-3		
Junction Temperature	T_J	+150	$^\circ\text{C}$
Operating Temperature	T_{OPR}	-40 ~ +125	$^\circ\text{C}$
Storage Temperature	T_{STG}	-55 ~ +150	$^\circ\text{C}$

Notes: 1. Absolute maximum ratings are stress ratings only and functional device operation is not implied.

The device could be damaged beyond Absolute maximum ratings.

2. The maximum steady state usable output current are dependent on input voltage, heat sinking, lead length of the package and copper pattern of PCB. The data are showed as electrical characteristics table represents pulse test conditions with junction temperatures specified at the initiation of test.

■ THERMAL DATA

PARAMETER	SYMBOL	RATINGS	UNIT
Junction to Ambient	SOT-223	150	$^\circ\text{C/W}$
	TO-251/TO-252	112	
	TO-252-3		
Junction to Case	SOT-223	15	$^\circ\text{C/W}$
	TO-251/TO-252	12.5	
	TO-252-3		

■ ELECTRICAL CHARACTERISTICS

($T_J=25^\circ\text{C}$, $C_i=0.33\mu\text{F}$, $C_o=0.1\mu\text{F}$, $P_D \leq 15\text{W}$, unless otherwise specified)

For 78D05A ($V_{IN}=10\text{V}$, $I_{OUT}=1.0\text{A}$)

PARAMETER	SYMBOL	TEST CONDITIONS	MIN	TYP	MAX	UNIT
Output Voltage	V_{OUT}	$I_{OUT}=5\text{mA} \sim 1.0\text{A}$	4.80	5.0	5.20	V
		$V_{IN}=7.5 \sim 20\text{V}$, $I_{OUT}=5\text{mA} \sim 1.0\text{A}$	4.75		5.25	V
Load Regulation	ΔV_{OUT}	$I_{OUT}=5\text{mA} \sim 1.0\text{A}$			50	mV
		$I_{OUT}=0.25\text{A} \sim 0.75\text{A}$			25	mV
Line Regulation	ΔV_{OUT}	$V_{IN}=7 \sim 25\text{V}$			50	mV
		$V_{IN}=7.5 \sim 20\text{V}$, $I_{OUT}=1.0\text{A}$			50	mV
Quiescent Current	I_Q	$I_{OUT} \leq 1.0\text{A}$			8.0	mA
Quiescent Current Change	ΔI_Q	$V_{IN}=7.5 \sim 20\text{V}$			1.0	mA
		$I_{OUT}=5\text{mA} \sim 1.0\text{A}$			0.5	mA
Output Noise Voltage	eN	$10\text{Hz} \leq f \leq 100\text{kHz}$		40		μV
Ripple Rejection	RR	$V_{IN}=8 \sim 18\text{V}$, $f=120\text{Hz}$	59	80		dB
Peak Output Current	I_{PEAK}			1.8		A
Short-Circuit Current	I_{SC}	$V_{IN}=35\text{V}$		250		mA
Dropout Voltage	V_D			2.0		V

■ ELECTRICAL CHARACTERISTICS(Cont.)

For 78D06A ($V_{IN}=11V$, $I_{OUT}=1.0A$)

PARAMETER	SYMBOL	TEST CONDITIONS	MIN	TYP	MAX	UNIT
Output Voltage	V_{OUT}	$I_{OUT}=5mA\sim 1.0A$	5.76	6.0	6.24	V
		$V_{IN}=8.5\sim 21V$, $I_{OUT}=5mA\sim 1.0A$	5.7		6.3	V
Load Regulation	ΔV_{OUT}	$I_{OUT}=5mA\sim 1.0A$			60	mV
		$I_{OUT}=0.25A\sim 0.75A$			30	mV
Line Regulation	ΔV_{OUT}	$V_{IN}=8\sim 25V$			60	mV
		$V_{IN}=8.5\sim 21V$, $I_{OUT}=1.0A$			60	mV
Quiescent Current	I_Q	$I_{OUT}\leq 1.0A$			8.0	mA
Quiescent Current Change	ΔI_Q	$V_{IN}=8.5\sim 21V$			1.0	mA
		$I_{OUT}=5mA\sim 1.0A$			0.5	mA
Output Noise Voltage	eN	$10Hz\leq f\leq 100kHz$		45		μV
Ripple Rejection	RR	$V_{IN}=9\sim 19V$, $f=120Hz$	56	75		dB
Peak Output Current	I_{PEAK}			1.8		A
Short-Circuit Current	I_{SC}	$V_{IN}=35V$		250		mA
Dropout Voltage	V_D			2.0		V

For 78D07A ($V_{IN}=13V$, $I_{OUT}=1.0A$)

PARAMETER	SYMBOL	TEST CONDITIONS	MIN	TYP	MAX	UNIT
Output Voltage	V_{OUT}	$I_{OUT}=5mA\sim 1.0A$	6.72	7.0	7.28	V
		$V_{IN}=9.5\sim 22V$, $I_{OUT}=5mA\sim 1.0A$	6.65		7.35	V
Load Regulation	ΔV_{OUT}	$I_{OUT}=5mA\sim 1.0A$			70	mV
		$I_{OUT}=0.25A\sim 0.75A$			35	mV
Line Regulation	ΔV_{OUT}	$V_{IN}=9\sim 25V$			70	mV
		$V_{IN}=9.5\sim 22V$, $I_{OUT}=1.0A$			70	mV
Quiescent Current	I_Q	$I_{OUT}\leq 1.0A$			8.0	mA
Quiescent Current Change	ΔI_Q	$V_{IN}=9.5\sim 22V$			1.0	mA
		$I_{OUT}=5mA\sim 1.0A$			0.5	mA
Output Noise Voltage	eN	$10Hz\leq f\leq 100kHz$		50		μV
Ripple Rejection	RR	$V_{IN}=10\sim 20V$, $f=120Hz$	56	75		dB
Peak Output Current	I_{PEAK}			1.7		A
Short-Circuit Current	I_{SC}	$V_{IN}=35V$		250		mA
Dropout Voltage	V_D			2.0		V

For 78D08A ($V_{IN}=14V$, $I_{OUT}=1.0A$)

PARAMETER	SYMBOL	TEST CONDITIONS	MIN	TYP	MAX	UNIT
Output Voltage	V_{OUT}	$I_{OUT}=5mA\sim 1.0A$	7.68	8.0	8.32	V
		$V_{IN}=10.5\sim 23V$, $I_{OUT}=5mA\sim 1.0A$	7.6		8.4	V
Load Regulation	ΔV_{OUT}	$I_{OUT}=5mA\sim 1.0A$			80	mV
		$I_{OUT}=0.25A\sim 0.75A$			40	mV
Line Regulation	ΔV_{OUT}	$V_{IN}=10.5\sim 25V$			80	mV
		$V_{IN}=10.5\sim 23V$, $I_{OUT}=1.0A$			80	mV
Quiescent Current	I_Q	$I_{OUT}\leq 1.0A$			8.0	mA
Quiescent Current Change	ΔI_Q	$V_{IN}=10.5\sim 23V$			1.0	mA
		$I_{OUT}=5mA\sim 1.0A$			0.5	mA
Output Noise Voltage	eN	$10Hz\leq f\leq 100kHz$		58		μV
Ripple Rejection	RR	$V_{IN}=11.5\sim 21.5V$, $f=120Hz$	53	72		dB
Peak Output Current	I_{PEAK}			1.8		A
Short-Circuit Current	I_{SC}	$V_{IN}=35V$		250		mA
Dropout Voltage	V_D			2.0		V

■ ELECTRICAL CHARACTERISTICS(Cont.)

For 78D09A ($V_{IN}=15V$, $I_{OUT}=1.0A$)

PARAMETER	SYMBOL	TEST CONDITIONS	MIN	TYP	MAX	UNIT
Output Voltage	V_{OUT}	$I_{OUT}=5mA\sim 1.0A$	8.64	9.0	9.36	V
		$V_{IN}=11.5\sim 24V$, $I_{OUT}=5mA\sim 1.0A$	8.55		9.45	V
Load Regulation	ΔV_{OUT}	$I_{OUT}=5mA\sim 1.0A$			90	mV
		$I_{OUT}=0.25A\sim 0.75A$			45	mV
Line Regulation	ΔV_{OUT}	$V_{IN}=11.5\sim 25V$			90	mV
		$V_{IN}=11.5\sim 24V$, $I_{OUT}=1.0A$			90	mV
Quiescent Current	I_Q	$I_{OUT}\leq 1.0A$			8.0	mA
Quiescent Current Change	ΔI_Q	$V_{IN}=11.5\sim 24V$			1.0	mA
		$I_{OUT}=5mA\sim 1.0A$			0.5	mA
Output Noise Voltage	eN	$10Hz\leq f\leq 100kHz$		58		μV
Ripple Rejection	RR	$V_{IN}=12.5\sim 22.5V$, $f=120Hz$	53	72		dB
Peak Output Current	I_{PEAK}			1.8		A
Short-Circuit Current	I_{SC}	$V_{IN}=35V$		250		mA
Dropout Voltage	V_D			2.0		V

For 78D10A ($V_{IN}=16V$, $I_{OUT}=1.0A$)

PARAMETER	SYMBOL	TEST CONDITIONS	MIN	TYP	MAX	UNIT
Output Voltage	V_{OUT}	$I_{OUT}=5mA\sim 1.0A$	9.60	10.0	10.40	V
		$V_{IN}=12.5\sim 25V$, $I_{OUT}=5mA\sim 1.0A$	9.5		10.5	V
Load Regulation	ΔV_{OUT}	$I_{OUT}=5mA\sim 1.0A$			100	mV
		$I_{OUT}=0.25A\sim 0.75A$			50	mV
Line Regulation	ΔV_{OUT}	$V_{IN}=13\sim 25V$			100	mV
		$V_{IN}=13\sim 25V$, $I_{OUT}=1.0A$			100	mV
Quiescent Current	I_Q	$I_{OUT}\leq 1.0A$			8.0	mA
Quiescent Current Change	ΔI_Q	$V_{IN}=12.6V\sim 25V$			1.0	mA
		$I_{OUT}=5mA\sim 1.0A$			0.5	mA
Output Noise Voltage	eN	$10Hz\leq f\leq 100kHz$		58		μV
Ripple Rejection	RR	$V_{IN}=13\sim 23V$, $f=120Hz$	53	72		dB
Peak Output Current	I_{PEAK}			1.8		A
Short-Circuit Current	I_{SC}	$V_{IN}=35V$		250		mA
Dropout Voltage	V_D			2.0		V

For 78D12A ($V_{IN}=19V$, $I_{OUT}=1.0A$)

PARAMETER	SYMBOL	TEST CONDITIONS	MIN	TYP	MAX	UNIT
Output Voltage	V_{OUT}	$I_{OUT}=5mA\sim 1.0A$	11.52	12.0	12.48	V
		$V_{IN}=14.5\sim 27V$, $I_{OUT}=5mA\sim 1.0A$	11.4		12.6	V
Load Regulation	ΔV_{OUT}	$I_{OUT}=5mA\sim 1.0A$			120	mV
		$I_{OUT}=0.25A\sim 0.75A$			60	mV
Line Regulation	ΔV_{OUT}	$V_{IN}=14.5\sim 30V$			120	mV
		$V_{IN}=14.6\sim 27V$, $I_{OUT}=1.0A$			120	mV
Quiescent Current	I_Q	$I_{OUT}\leq 1.0A$			8.0	mA
Quiescent Current Change	ΔI_Q	$V_{IN}=14.5\sim 30V$			1.0	mA
		$I_{OUT}=5mA\sim 1.0A$			0.5	mA
Output Noise Voltage	eN	$10Hz\leq f\leq 100kHz$		75		μV
Ripple Rejection	RR	$V_{IN}=15\sim 25V$, $f=120Hz$	52	72		dB
Peak Output Current	I_{PEAK}			1.8		A
Short-Circuit Current	I_{SC}	$V_{IN}=35V$		250		mA
Dropout Voltage	V_D			2.0		V

■ ELECTRICAL CHARACTERISTICS(Cont.)

For 78D15A ($V_{IN}=23V$, $I_{OUT}=1.0A$)

PARAMETER	SYMBOL	TEST CONDITIONS	MIN	TYP	MAX	UNIT
Output Voltage	V_{OUT}	$I_{OUT}=5mA\sim 1.0A$	14.40	15.0	15.60	V
		$V_{IN}=17.5\sim 30V$, $I_{OUT}=5mA\sim 1.0A$	14.25		15.75	V
Load Regulation	ΔV_{OUT}	$I_{OUT}=5mA\sim 1.0A$			150	mV
		$I_{OUT}=0.25A\sim 0.75A$			75	mV
Line Regulation	ΔV_{OUT}	$V_{IN}=18.5\sim 30V$			150	mV
		$V_{IN}=17.7\sim 30V$, $I_{OUT}=1.0A$			150	mV
Quiescent Current	I_Q	$I_{OUT}\leq 1.0A$			8.0	mA
Quiescent Current Change	ΔI_Q	$V_{IN}=17.5\sim 30V$			1.0	mA
		$I_{OUT}=5mA\sim 1.0A$			0.5	mA
Output Noise Voltage	eN	$10Hz\leq f\leq 100kHz$		90		μV
Ripple Rejection	RR	$V_{IN}=18.5\sim 28.5V$, $f=120Hz$	51	70		dB
Peak Output Current	I_{PEAK}			1.8		A
Short-Circuit Current	I_{SC}	$V_{IN}=35V$		250		mA
Dropout Voltage	V_D			2.0		V

For 78D18A ($V_{IN}=27V$, $I_{OUT}=1.0A$)

PARAMETER	SYMBOL	TEST CONDITIONS	MIN	TYP	MAX	UNIT
Output Voltage	V_{OUT}	$I_{OUT}=5mA\sim 1.0A$	17.28	18.0	18.72	V
		$V_{IN}=21\sim 33V$, $I_{OUT}=5mA\sim 1.0A$	17.1		18.9	V
Load Regulation	ΔV_{OUT}	$I_{OUT}=5mA\sim 1.0A$			180	mV
		$I_{OUT}=0.25A\sim 0.75A$			90	mV
Line Regulation	ΔV_{OUT}	$V_{IN}=21\sim 33V$			180	mV
		$V_{IN}=21\sim 33V$, $I_{OUT}=1.0A$			180	mV
Quiescent Current	I_Q	$I_{OUT}\leq 1.0A$			8.0	mA
Quiescent Current Change	ΔI_Q	$V_{IN}=21.5\sim 33V$			1.0	mA
		$I_{OUT}=5mA\sim 1.0A$			0.5	mA
Output Noise Voltage	eN	$10Hz\leq f\leq 100kHz$		110		μV
Ripple Rejection	RR	$V_{IN}=22\sim 32V$, $f=120Hz$	50	69		dB
Peak Output Current	I_{PEAK}			1.8		A
Short-Circuit Current	I_{SC}	$V_{IN}=35V$		250		mA
Dropout Voltage	V_D			2.0		V

For 78D20A ($V_{IN}=29V$, $I_{OUT}=1.0A$)

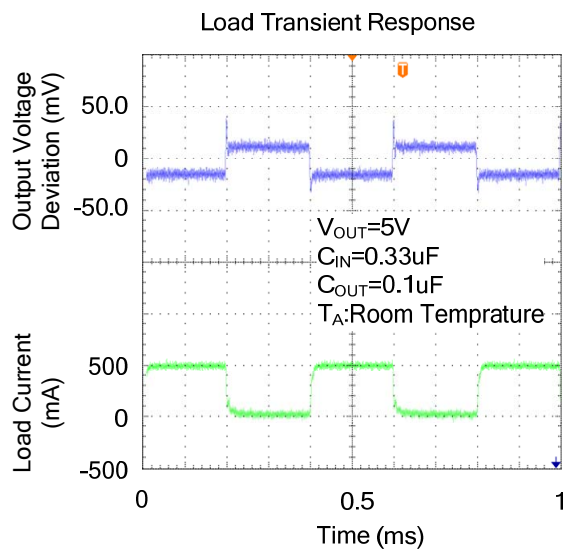
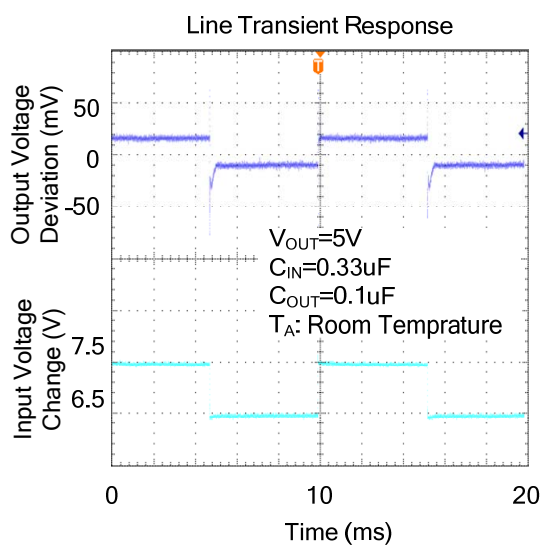
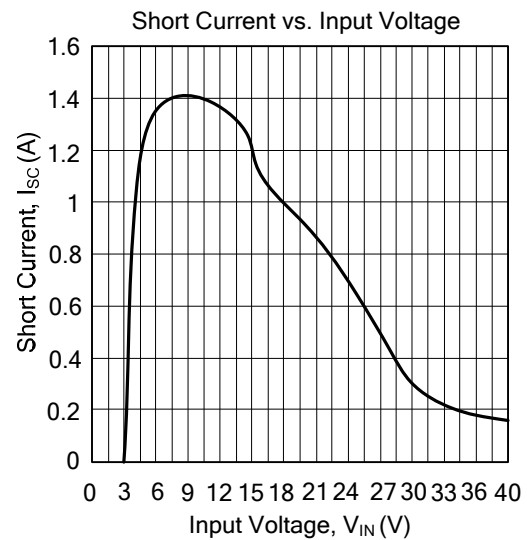
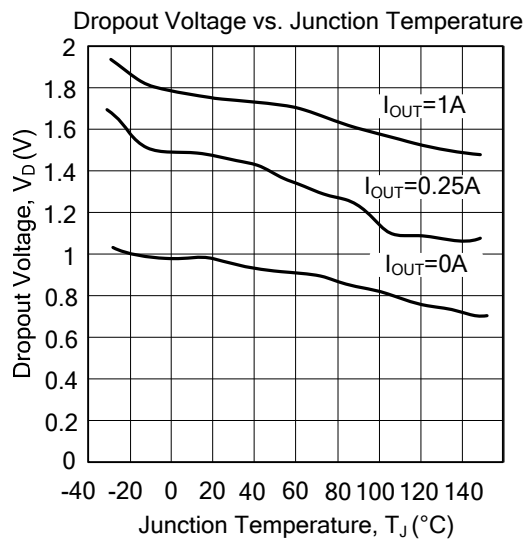
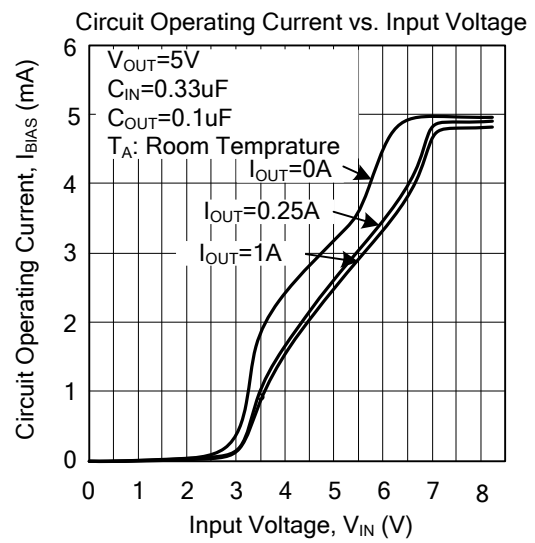
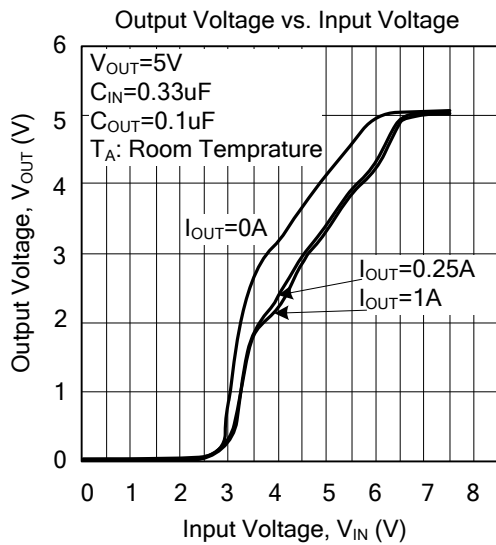
PARAMETER	SYMBOL	TEST CONDITIONS	MIN	TYP	MAX	UNIT
Output Voltage	V_{OUT}	$I_{OUT}=5mA\sim 1.0A$	19.20	20.0	20.80	V
		$V_{IN}=23\sim 35V$, $I_{OUT}=5mA\sim 1.0A$	19.00		21.00	V
Load Regulation	ΔV_{OUT}	$I_{OUT}=5mA\sim 1.0A$			200	mV
		$I_{OUT}=0.25A\sim 0.75A$			100	mV
Line Regulation	ΔV_{OUT}	$V_{IN}=23\sim 35V$			200	mV
		$V_{IN}=23\sim 35V$, $I_{OUT}=1.0A$			200	mV
Quiescent Current	I_Q	$I_{OUT}\leq 1.0A$			8.0	mA
Quiescent Current Change	ΔI_Q	$V_{IN}=23.5\sim 35V$			1.0	mA
		$I_{OUT}=5mA\sim 1.0A$			0.5	mA
Output Noise Voltage	eN	$10Hz\leq f\leq 100kHz$		130		μV
Ripple Rejection	RR	$V_{IN}=24\sim 34V$, $f=120Hz$	49	68		dB
Peak Output Current	I_{PEAK}			1.8		A
Short-Circuit Current	I_{SC}	$V_{IN}=35V$		250		mA
Dropout Voltage	V_D			2.0		V

■ ELECTRICAL CHARACTERISTICS(Cont.)

For 78D24A ($V_{IN}=33V$, $I_{OUT}=1.0A$)

PARAMETER	SYMBOL	TEST CONDITIONS	MIN	TYP	MAX	UNIT
Output Voltage	V_{OUT}	$I_{OUT}=5mA\sim 1.0A$	23.04	24.0	24.96	V
		$V_{IN}=27\sim 35V$, $I_{OUT}=5mA\sim 1.0A$	22.8		25.2	V
Load Regulation	ΔV_{OUT}	$I_{OUT}=5mA\sim 1.0A$			240	mV
		$I_{OUT}=0.25A\sim 0.75A$			120	mV
Line Regulation	ΔV_{OUT}	$V_{IN}=27\sim 35V$			240	mV
		$V_{IN}=27\sim 35V$, $I_{OUT}=1.0A$			240	mV
Quiescent Current	I_Q	$I_{OUT}\leq 1.0A$			8.0	mA
Quiescent Current Change	ΔI_Q	$V_{IN}=28\sim 35V$			1.0	mA
		$I_{OUT}=5mA\sim 1.0A$			0.5	mA
Output Noise Voltage	eN	$10Hz\leq f\leq 100kHz$		170		μV
Ripple Rejection	RR	$V_{IN}=28\sim 35V$, $f=120Hz$	47	66		dB
Peak Output Current	I_{PEAK}			1.8		A
Short-Circuit Current	I_{SC}	$V_{IN}=35V$		250		mA
Dropout Voltage	V_D			2.0		V

TYPICAL CHARACTERISTICS



UTC assumes no responsibility for equipment failures that result from using products at values that exceed, even momentarily, rated values (such as maximum ratings, operating condition ranges, or other parameters) listed in products specifications of any and all UTC products described or contained herein. UTC products are not designed for use in life support appliances, devices or systems where malfunction of these products can be reasonably expected to result in personal injury. Reproduction in whole or in part is prohibited without the prior written consent of the copyright owner. UTC reserves the right to make changes to information published in this document, including without limitation specifications and product descriptions, at any time and without notice. This document supersedes and replaces all information supplied prior to the publication hereof.