

62034

1N649X

JAN QUALIFIED FAULT INDICATORS

1N650X



OPTOELECTRONIC PRODUCTS DIVISION

Features:

- MIL-PRF-19500
- Hermetically sealed
- Pin compatible with Dialight 547 and 555 series
- Available with Internal Current Regulation (5 to 30 VDC)
- Wide operating temperature range (-65°C to +100°C)
- Ceramic Insulator for Side by Side Mounting

Applications:

- P.C. Board Fault Indicator
- Logic Status Indicator
- Binary Data Display
- ON-OFF Indicator
- Right Angle Viewing

DESCRIPTION

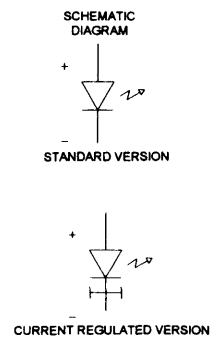
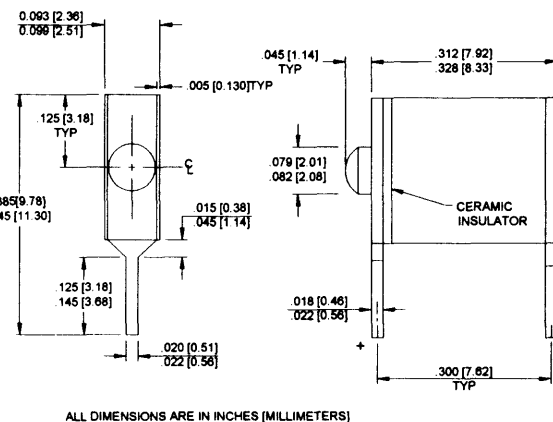
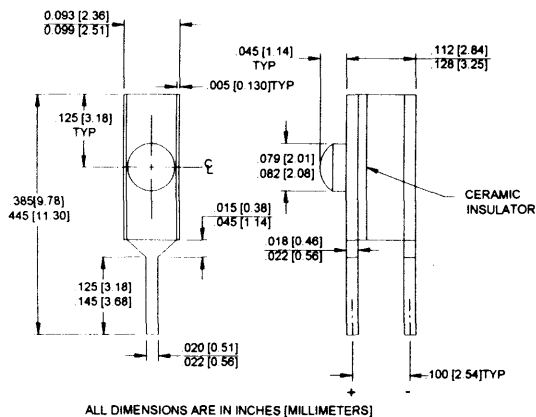
The 1N649X, 1N650X series indicator lamps are useful in a variety of applications such as fault indicators for trouble shooting at the P.C. board level. The red and yellow fault indicators utilize a high efficiency GaAsP on GaP LED, while the green indicator utilizes a GaP on GaP LED. Each type uses a colored diffused plastic lens over a glass window. All are hermetically sealed and available JANTX screened.

ABSOLUTE MAXIMUM RATINGS

Storage Temperature	-65°C to +100°C
Operating Temperature	-65°C to +100°C
Lead Solder Temperature (1/16" [1.6mm] from case for 10 seconds)	260°C
Reverse Voltage	5V
Power Dissipation (Derate at the rate of 1.31 mW/°C above 25°C).....	105mW
Forward Current (For part numbers 1N6493, 94, 95 and 1N6500, 01, 02).....	35mA
Forward Voltage (For part numbers 1N6497, 98, 99 and 1N6503, 04, 05).....	30Vdc

Package Dimensions

Schematic Diagram



*ELECTRICAL/OPTICAL CHARACTERISTICS TA=25°C

PART NUMBER	TEST CONDITIONS		PARAMETER LIMITS					
	I _F mA	V _F VDC	PEAK λ TYP.	I _{V1} θ = 0 MIN.	I _{V2} θ = 15 MIN.	V _F MAX.	I _F MIN. - MAX.	C MAX.
1N6493/1N6500	20	—	635nm	1mcd	.5mcd.	3V	—	100pf
1N6497/1N6503	—	5-30	635nm	.5mcd	.25mcd.	—	3.5-7.5	500pf
1N6494/1N6501	20	—	585nm	1mcd	.5mcd.	3V	—	100pf
1N6498/1N6504	—	5-30	585nm	.5mcd	.25mcd.	—	3.5-7.5	500pf
1N6495/1N6502	25	—	570nm	.8mcd	.4mcd.	3V	—	100pf
1N6499/1N6505	—	5-30	570nm	.4mcd	.2mcd.	—	3.5-7.5	500pf

* JEDEC REGISTERED DATA

RECOMMENDED OPERATING CONDITIONS:

PARAMETER	SYMBOL	MIN	MAX	UNITS
Forward Current, LED ONLY	I _F	20	35	mA
Forward Voltage, CURRENT LIMITED	V _F	2	10	V
Operating Temperature	T _A	-65	+100	°C

MECHANICAL/OPTICAL CHARACTERISTICS

PART NUMBER	PART TYPE	PIN SPACING	COLOR	TYPE
JAN or JANTX1N6493	1N6493	.100"	RED	LED ONLY
JAN or JANTX1N6497	1N6497	.100"	RED	CURRENT LIMITED
JAN or JANTX1N6494	1N6494	.100"	YELLOW	LED ONLY
JAN or JANTX1N6498	1N6498	.100"	YELLOW	CURRENT LIMITED
JAN or JANTX1N6495	1N6495	.100"	GREEN	LED ONLY
JAN or JANTX1N6499	1N6499	.100"	GREEN	CURRENT LIMITED
JAN or JANTX1N6500	1N6500	.300"	RED	LED ONLY
JAN or JANTX1N6503	1N6503	.300"	RED	CURRENT LIMITED
JAN or JANTX1N6501	1N6501	.300"	YELLOW	LED ONLY
JAN or JANTX1N6504	1N6504	.300"	YELLOW	CURRENT LIMITED
JAN or JANTX1N6502	1N6502	.300"	GREEN	LED ONLY
JAN or JANTX1N6505	1N6505	.300"	GREEN	CURRENT LIMITED