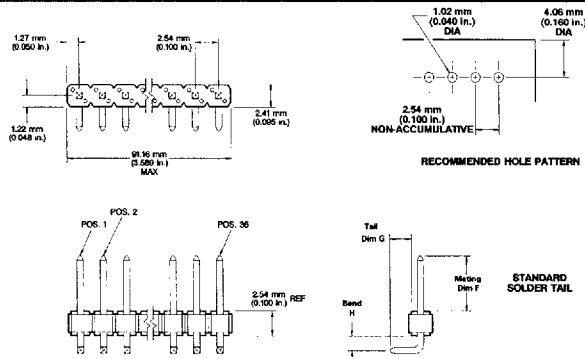


Description Right-Angle 1-Row BergStik® II Headers



Base number specifies pin length and style ———— These digits specify total number of positions (1 through 36 available)

□ □ □ □ - X Y Y H

This digit specifies plating ———— High temperature plastic

Ordering Data

0.76 µm (30 µin.) gold over 1.27 µm (50 µin.) nickel	-1YY	3.81 µm (150 µin.) tin-lead	-4YY
0.38 µm (15 µin.) gold over 1.27 µm (50 µin.) nickel	-2YY	0.38 µm (15 µin.) GXT™ over 1.27 µm (50 µin.) nickel	-5YY
1.27 µm (50 µin.) gold over 1.27 µm (50 µin.) nickel	-3YY	0.76 µm (30 µin.) GXT™ over 1.27 µm (50 µin.) nickel	-6YY

Plating

Part Numbers	Dimensions					
	F-Mating (Length Above Plastic)		G-Tail (Length Below Plastic)		H (Bend Distance from Plastic)	
	mm	in.	mm	in.	mm	in.
78955-XYH	1.91	0.075	2.29	0.090	1.52	0.060
94671-XYH	2.29	0.090	2.16	0.085	4.57	0.180
68764-XYH	2.54	0.100	3.05	0.120	1.52	0.060
92632-XYH	2.54	0.100	8.08	0.318	1.52	0.060
68660-XYH	2.79	0.110	5.84	0.230	3.43	0.135
68798-XYH	2.79	0.110	5.84	0.230	4.06	0.160
78938-XYH	3.05	0.120	3.05	0.120	1.52	0.060
68627-XYH	3.05	0.120	4.70	0.185	3.81	0.150
94529-XYH	3.05	0.120	7.49	0.295	3.43	0.135
78978-XYH	3.05	0.120	8.08	0.318	3.43	0.135
68023-XYH	3.43	0.135	7.75	0.305	3.43	0.135
94099-XYH	3.99	0.157	2.29	0.090	1.52	0.060
92050-XYH	4.11	0.162	3.05	0.120	1.52	0.060
88813-XYH	5.84	0.230	2.16	0.085	1.52	0.060
68015-XYH	5.84	0.230	2.29	0.090	1.52	0.060
68016-XYH	5.84	0.230	3.05	0.120	1.52	0.060
78234-XYH	5.84	0.230	3.56	0.140	4.06	0.160
95666-XYH	5.84	0.230	3.68	0.145	1.52	0.060
68488-XYH	5.84	0.230	4.57	0.180	1.52	0.060
68468-XYH	5.84	0.230	4.95	0.195	4.06	0.160
68498-XYH	5.84	0.230	5.59	0.220	4.06	0.160
68626-XYH	5.84	0.230	7.49	0.295	1.52	0.060
68417-XYH	5.84	0.230	9.91	0.390	1.52	0.060
68641-XYH	5.84	0.230	12.45	0.490	1.52	0.060
68628-XYH	5.84	0.230	14.99	0.590	1.52	0.060
68758-XYH	6.99	0.275	3.05	0.120	1.52	0.060
69189-XYH	7.87	0.310	6.35	0.250	1.52	0.060
78231-XYH	7.87	0.310	7.37	0.290	1.52	0.060
78230-XYH	7.87	0.310	8.38	0.330	1.52	0.060
78541-XYH	8.08	0.318	2.03	0.080	1.52	0.060
68458-XYH	8.08	0.318	2.79	0.110	1.52	0.060
68423-XYH	8.08	0.318	3.05	0.120	1.52	0.060
68782-XYH	8.08	0.318	4.57	0.180	1.52	0.060
95653-XYH	8.38	0.330	7.87	0.310	4.06	0.160
68757-XYH	8.89	0.350	5.59	0.220	2.54	0.100
68494-XYH	10.16	0.400	2.79	0.110	1.52	0.060
92909-XYH	10.16	0.400	5.59	0.220	1.52	0.060
68461-XYH	10.16	0.400	8.13	0.320	6.60	0.260
68694-XYH	15.24	0.600	3.05	0.120	1.52	0.060

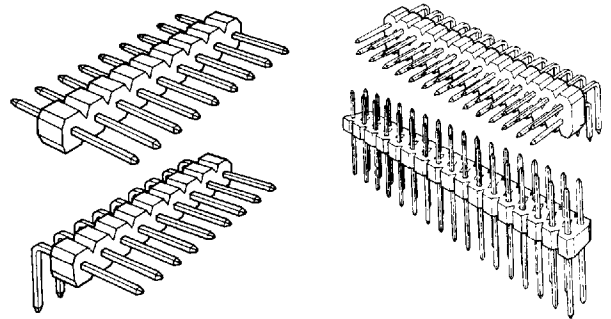
Ordering data shown is for our standard product offering. For non-standard or custom products, contact your authorized Berg Electronics representative.

9005411 0002565 670

Unshrouded Headers

2.54 x 2.54 mm (0.100 x 0.100 in.)
Centerlines

BergStik® II Headers
BergCon® System



A183396-0775

Features

- 1-Row: 1 through 36 total positions.
2-Row: 2 through 72 total positions.
3-Row: 9 through 108 total positions.
- End-to-end and side-to-side stackable on 2.54 mm (0.100 in.) centerlines.
- Can be manually broken to the desired length.
- Drawn (not stamped) 0.64 mm (0.025 in.) square wire presents four surfaces of equal quality.
- Standoffs allow cleaning to eliminate soldering contaminants.
- Optional retention tail provides 2.224 N (0.5 lbf) minimum retention prior to soldering on 1.58 mm (0.062 in.) thick pc boards.
- High-temperature plastic for infra-red soldering operations.
- Available with gold, GXT™ (palladium nickel allow with gold flash) and tin-lead platings.

Options

- Advanced ground.
- Retentive leg solder tails.
- Custom polarization available.

Mating Data


Mates with 0.64 mm (0.025 in.) compatible receptacles on 2.54 mm (0.100 in.) centerlines.


Berg Electronics Products	Page
▪ Card Connectors	13-122, 13-132, and 13-136
▪ PV™/Mini-latch Housing	13-4 and 13-16
▪ Quickie III™	23-4
▪ Clincher™	20-2
▪ Mini-jump™	13-44

Specifications

- MIL-G-45204
- MIL-P-55110
- MIL-P-81728
- QQ-W-343
- ASTM B-159

Approvals and Certifications

 File no. E66906

 File no. LR46923

Application Equipment

Description	Page
▪ Cutting tool HT-320	13-69

Technical Data

Materials

- Housing material High temperature, Glass-filled PCT (UL 94 V-0)
 - ▶ Color Black
 - ▶ Applicable soldering processes Wave, Vapor-phase, IR reflow
- Pin Phosphor-bronze

Plating

- Underplate 1.27 µm (50 µin.) nickel
- Finish 0.38 µm (15 µin.) gold or 0.76 µm (30 µin.) gold or 1.27 µm (50 µin.) gold or 0.38 µm (15 µin.) GXT™ or 0.76 µm (30 µin.) GXT™
- Finish 3.81 µm (150 µin.) tin-lead

Electrical Performance

- Insulation resistance 5000 MΩ min
- Withstanding voltage 1500 V ac rms (sea level)

- Current rating 3 amp continuous

Mechanical Performance

- Retentive leg insertion force* >44.48 N (10 lbf) max*
- Retentive leg connector retention 2.22 N (0.5 lbf) min*
- Contact retention (pin to housing) 8.88 N (2 lbf)

Operating Environment

- Temperature range -65°C to +130°C

Packaging

- Antistatic Bags
- Antistatic Tubes available on selected part numbers

*Per retentive pin-pair.

Customer Support Materials

Description	Order No.	Description	Order No.
Customer Product Drawings	By Part Number	Product Samples	Upon Request
Product Specifications	BUS-12-050	Test Data	Upon Request
Product Substitutions	Contact Technical Support		

■ 9005411 0002556 668 ■