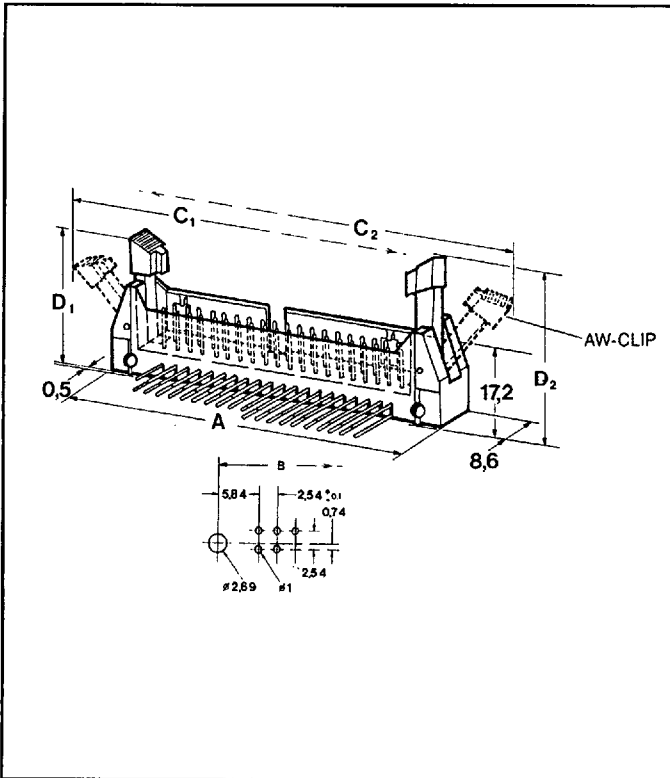


# LATCH AND EJECT HEADER RIGHT ANGLE



## FEATURES AND OPTIONS

- 10, 14, 16, 20, 26, 34, 40, 50 and 60 positions
- Available with long latches for strain relief covers, short latches or without latches
- Latches easily attach by snapping into connector
- Contact tail options include wire wrap, .114" or .177" solder tails
- Plating options of 30μ" gold, gold flash or full tin
- Available in either straight or right angle styles
- Mates with Assmann part number series: AWP

## SPECIFICATIONS

### MATERIALS

Contact: Phosphor Bronze  
Insulator: Polyester GV, VO, UL 94 - color grey

### ELECTRICAL

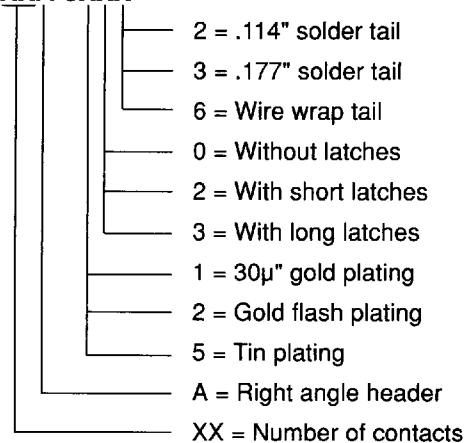
Current rating: 1 amp.  
Test voltage: 1000 V<sub>eff</sub>  
Operating temperature range: -65°C to +150°C  
Insulation resistance: (10 x 9 ohms)

## DIMENSIONS

# of pins	A	B	C <sub>1</sub>	C <sub>2</sub>	D <sub>1</sub>	D <sub>2</sub>
10 pin	32.3 1.272	21.84 .860	44.5 1.752	50.0 1.968	23.1 0.909	26.5 1.043
14 pin	37.3 1.469	26.92 1.059	49.5 1.949	55.0 2.165	23.1 0.909	26.5 1.043
16 pin	39.9 1.571	29.46 1.160	52.1 2.051	57.6 2.268	23.1 0.909	26.5 1.043
20 pin	44.8 1.764	34.54 1.360	57.0 2.244	62.5 2.460	23.1 0.909	26.5 1.043
26 pin	52.4 2.063	42.16 1.660	64.6 2.544	70.1 2.760	23.1 0.909	26.5 1.043
34 pin	62.6 2.465	52.32 2.060	74.8 2.945	80.3 3.162	23.1 0.909	26.5 1.043
40 pin	70.2 2.764	59.94 2.360	82.4 3.245	87.9 3.460	23.1 0.909	26.5 1.043
50 pin	83.0 3.268	72.64 2.860	95.2 3.748	100.7 3.965	23.1 0.909	26.5 1.043
60 pin	95.7 3.768	85.34 3.360	107.9 4.248	113.4 4.465	23.1 0.909	26.5 1.043

## HOW TO ORDER

### AWHXXX-OXXX



Latch part numbers =

- AWLL** = Long latches for strain relief
- AWLS** = Short latches for no strain relief