

8 K × 8 High Speed CMOS SRAM

Short description. Please refer to the full datasheet available on TEMIC web for detailed technical information.

Description

The HM 65764 is a high speed CMOS static RAM organized as 8192x8 bits. It is manufactured using TEMIC high performance CMOS technology.

Access times as fast as 15 ns are available with maximum power consumption of only 743 mW.

The HM 65764 features fully static operation requiring no external clocks or timing strobes. The automatic power-down feature reduces the power consumption by 73 % when the circuit is deselected.

Easy memory expansion is provided by active low chip select ($\overline{CS1}$), an active high chip select (CS2), an active low output enable (\overline{OE}) and three state drivers.

All inputs and outputs of the HM 65764 are TTL compatible and operate from single 5 V supply thus simplifying system design.

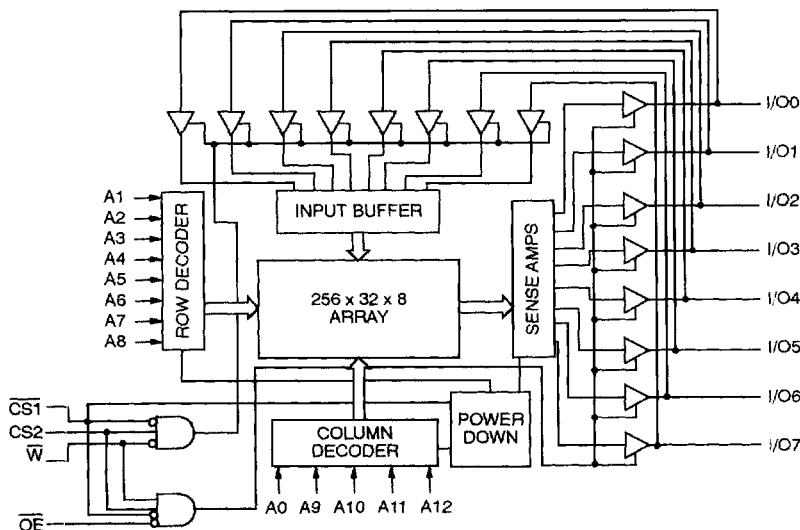
The HM 65764 is 100 % processed following the test methods of MIL STD 883C making it ideally suitable for military applications that demand superior levels of performance and reliability.

Features

- Fast Access Time
Commercial : 15/20/23/35/45/55 ns (max)
Industrial/Automotive/Military : 20/25/35/45/55 ns (max)
- Low Power Consumption
Active : 380 mW (typ)
Standby : 110 mW (typ)
- Wide Temperature Range : -55°C to 125°C
- 300 and 600 Mils Width Package
- TTL Compatible Inputs and Outputs
- Asynchronous
- Capable Of Withstanding Greater Than 2000 V Electrostatic Discharge
- Single 5 Volt Supply
3.3 Volt version available (see L 65764 specification)

Interface

Block Diagram



Ordering Information

PACKAGE	DEVICE TYPE	GRADE	LEVEL
<p>HM 3 —</p> <p>0 — Chip form 1 — Ceramic 28 pins 300 mils 1E — Ceramic 28 pins 600 mils 3 — Plastic 28 pins 300 mils 3E — Plastic 28 pins 600 mils 4 — LCC 32 pins T — SOIC 28 pins 300 mils TP — SOIC 28 pins 330 mils U — SOJ 28 pins 300 mils</p>	<p>65764</p> <p>8 k × 8 high speed static RAM</p>	<p>E</p> <p>E = 15 ns F = 20 ns H = 25 ns K = 35 ns M = 45 ns N = 55 ns</p>	<p>-5 : R</p> <p>—A : Automotive —2 : Military —5 : Commercial —9 : Industrial /883 : MIL STD 883 Level B R : Tape & Reel option RD : Tape & Reel/Dry pack option D : Dry pack option</p>

Military Version

The following table gives package/access time/process flow available combinations

Temp. range	Packages	Access Time (ns)					Sil process 65764 (including SMD5962-38294)
		20 (F)	25 (H)	35 (K)	45 (M)	55 (N)	
M	1	X	•	•	•	•	•
	1E	X	•	•	•	•	•
	4	X	X	X	X	X	X
	0		X	X	X	•	•

• = product in production

X = call sales office for availability

The information contained herein is subject to change without notice. No responsibility is assumed by TEMIC for using this publication and/or circuits described herein : nor for any possible infringements of patents or other rights of third parties which may result from its use.