

### Specifications

Insulation Resistance: 1,000MΩ min. at 500V DC  
 Withstanding Voltage: 700V ACrms for 1 minute  
 Contact Resistance: 30mΩ max. at 10mA  
 Current Rating: 1A  
 Operating Temp. Range: -20°C to +105°C

### Materials and Finish

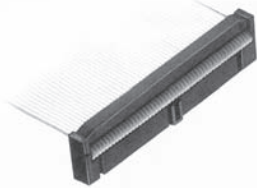
Housing: PBT, glass filled UL 94V-0 rated  
 Contacts: Phosphor Bronze  
 Plating: Contacts - Au over Ni  
 IDC Terminals - Flash Au over Nickel

### Features

- 2.54 mm contact pitch connectors for 50 MIL standard flat cables
- Variations include latch header plugs, box header plugs, and flat cable sockets

### Jigs and Tools (For FAS / FAP Type)

- Hand press: FX-003
- Applicable jig: FA-005



### Part Number (Details)

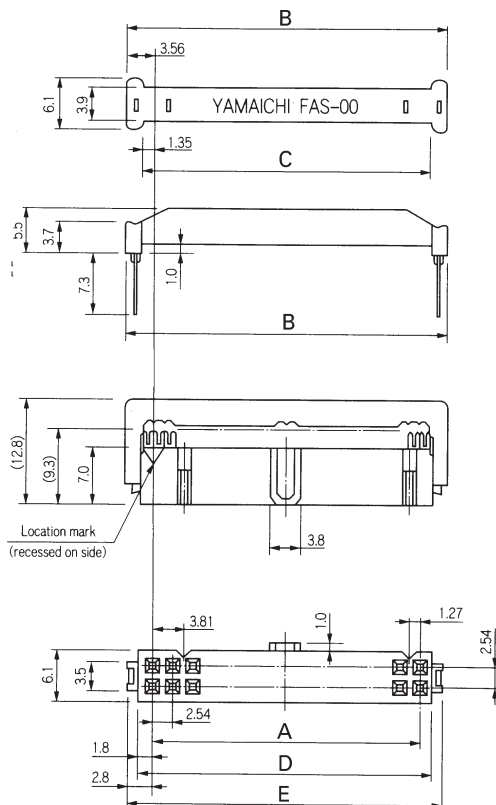
FAS - 3401 - 2 2 01 - \* - 0 \* F

Series (socket)	FAS
No. of Leads	3401
Housing Type:	2 = MIL std. key (with central key)
Pressure Cover Type:	1 = Open End 2 = Closed End
Strain Relief	
Housing Colour:	1 = Black 2 = Blue (Standard)
0 = Mating Cables (1.27 pitch):	AWG 28 Stranded Wire or AWG 30 Solid Wire
Contact Plating:	A = Gold (0.76µm over Ni 2.5~4.5µm) B = Gold (0.3µm over Ni 2.5~4.5µm)
IDC Terminal Plating:	F = Flash Au over Ni

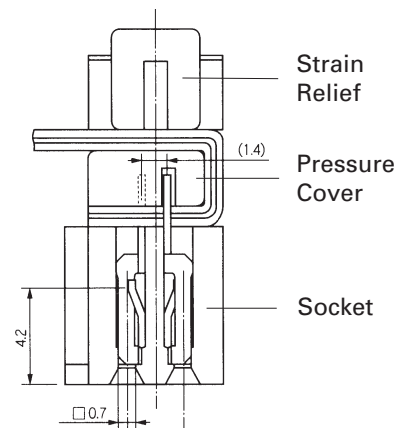
### Applicable Cables

AWG 28 stranded wire, 1.27mm pitch  
 AWG 30 solid wire, 1.27mm pitch  
 (e.g. DK\*\*-\*, FLEX-S\*, TPFLEX-N\*, FS-FLEX-B\*, see Section F)

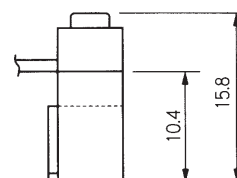
### Outline Dimensions



### Contact Details



### Cable Connection



Series FAS  
MIL Std. IDC Type Socket, (2.54mm Pitch)

Part Numbers

Standard types see table.  
For other versions please contact Yamaichi, minimum order quantity may be required

Part Number	No. of Leads	A	B	C	D	E
FAS-1001-2101-2-0AF	10	10.16	17.28	12.86	13.76	15.76
FAS-1001-2101-2-0BF	10	10.16	17.28	12.86	13.76	15.76
FAS-1401-2101-2-0AF	14	16.16	22.28	17.86	18.72	20.56
FAS-1401-2101-2-0BF	14	16.16	22.28	17.86	18.72	20.56
FAS-1601-2101-2-0AF	16	17.78	24.90	20.48	21.38	23.38
FAS-1601-2101-2-0BF	16	17.78	24.90	20.48	21.38	23.38
FAS-1601-2101-2-0BF	16	17.78	24.90	20.48	21.38	23.38
FAS-2001-2101-2-0AF	20	22.86	29.98	25.56	26.46	28.46
FAS-2001-2101-2-0BF	20	22.86	29.98	25.56	26.46	28.46
FAS-2001-2201-2-0AF	20	22.86	29.98	25.56	26.46	28.46
FAS-2601-2101-1-0BF	26	30.48	37.60	33.18	34.08	36.08
FAS-2601-2101-2-0AF	26	30.48	37.60	33.18	34.08	36.08
FAS-2601-2101-2-0BF	26	30.48	37.60	33.18	34.08	36.08
FAS-2601-2201-2-0AF	26	30.48	37.60	33.18	34.08	36.08
FAS-3001-2101-2-0BF	30	35.56	42.68	38.26	39.16	41.16
FAS-3401-2101-1-0BF	34	40.64	47.76	43.34	44.24	46.24
FAS-3401-2101-2-0AF	34	40.64	47.76	43.34	44.24	46.24
FAS-3401-2101-2-0BF	34	40.64	47.76	43.34	44.24	46.24
FAS-4001-2101-1-0BF	40	48.26	55.38	50.96	51.86	53.86
FAS-4001-2101-2-0AF	40	48.26	55.38	50.96	51.86	53.86
FAS-4001-2101-2-0BF	40	48.26	55.38	50.96	51.86	53.86
FAS-4001-2201-2-0AF	40	48.26	55.38	50.96	51.86	53.86
FAS-5001-2101-2-0AF	50	60.96	68.08	63.66	64.56	66.56
FAS-5001-2101-2-0BF	50	60.96	68.08	63.66	64.56	66.56
FAS-6001-2101-2-0AF	60	73.66	80.78	76.36	77.26	79.26
FAS-6401-2101-1-0BF	64	78.74	85.86	81.44	82.34	84.34
FAS-6401-2101-2-0AF	64	78.74	85.86	81.44	82.34	84.34
FAS-6401-2101-2-0BF	64	78.74	85.86	81.44	82.34	84.34

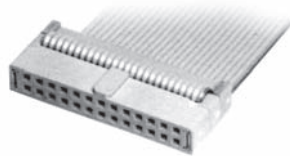
2.54mm Board-to-Cable Connectors

### Specifications

Insulation Resistance: 1,000MΩ min. at 500V DC  
 Withstanding Voltage: 700V ACrms for 1 minute  
 Contact Resistance: 30mΩ max. at 10mA  
 Current Rating: 1A  
 Operating Temp. Range: -20°C to +105°C

### Materials and Finish

Housing: PBT, glass filled UL 94V-0 rated  
 Contacts: Copper Alloy  
 Plating: Contacts - Au 0.3μm over Ni  
 IDC Terminals - Flash Au over Ni



### Part Number (Details)

**FAS - 34 - 17**

Series (socket)  
 No. of Leads  
 Center Key

### Features

- 2.54mm contact pitch sockets for flat cables with cable-end strain relief
- Variations include latch header plugs (for PC-board connection and IDC) and IDC sockets
- Two-point contact of the flat cable sockets ensures high reliability

### Applicable Cables

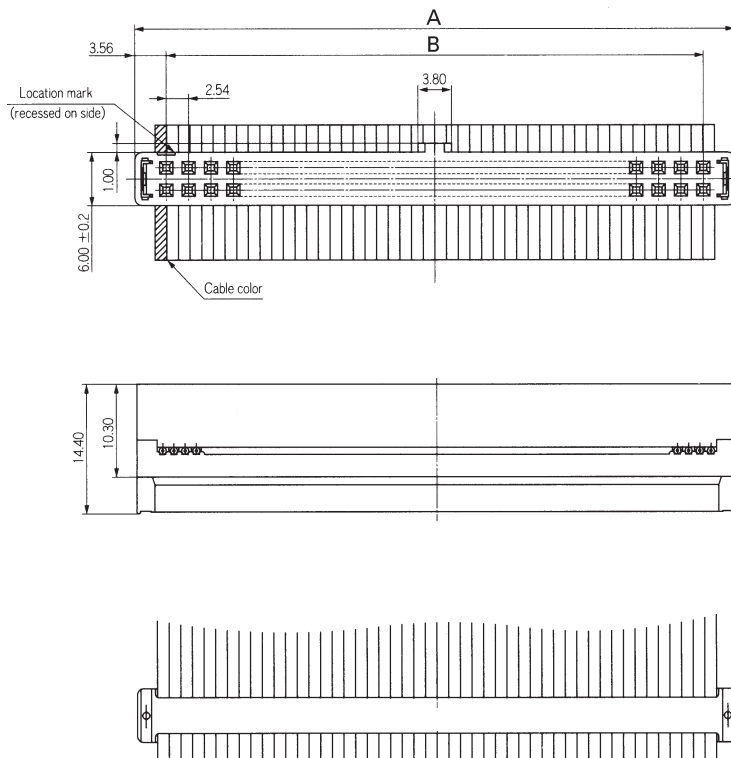
AWG 28 stranded wire, 1.27mm pitch  
 AWG 30 solid wire, 1.27mm pitch  
 (e.g. DK\*\*.\*, FLEX-S\*, TPFLEX-N\*, FS-FLEX-B\*, see Section F)

### Jigs and Tools

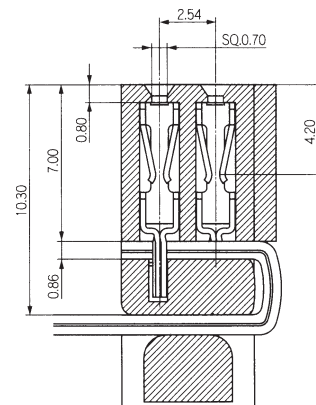
- Hand press: FX-003
- Applicable jig: FA-005



### Outline Dimensions



### Contact Details



Standard types see table.

For other versions from 10 to 64 leads please contact Yamaichi, minimum order quantity may be required

Part Number	No. of Leads	A	B	Part Number	No. of Leads	A	B
FAS-16-17	16	24.90	17.78	FAS-26-17	26	37.60	30.48
FAS-20-17	20	29.98	22.86	FAS-34-17	34	47.76	40.64