

SCHOTTKY BARRIER RECTIFIERS**1A SCHOTTKY BARRIER RECTIFIERS****(DO-41 PACKAGE)**

TYPE	INDUSTRY	PEAK INVERSE VOLTAGE	MAX. AVG. RECT. CURRENT	MAX. FWD SURGE CURRENT 1 CYCLE 60HZ	MAX. FWD. VOLTAGE @ TA 25°C @ RATED CURRENT	MAX. REVERSE CURRENT @ 25°C @ RATED PIV	OPERATING TEMPERATURE RANGE
	PART NO						
1N5817 1N5818 1N5819	1N5817	20	1.0A @ 90°C	25	0.45 @ 1.0A 0.55 @ 1.0A 0.60 @ 1.0A	1.0	-65 TO +125
	1N5818	30					
	1N5819	40					
SR102 SR103 SR104	SR102	20	1.0A @ 75°C	40	0.55 @ 1.0A 0.60 @ 1.0A 0.65 @ 1.0A	1.0	-65 TO +125
	SR103	30					
	SR104	40					
SR105 SR106	SR105	50	1.0A @ 100°C	40	0.70 @ 1.0A 0.70 @ 1.0A	1.0	-65 TO +150
	SR106	60					

*TL: Lead Temp.

3A SCHOTTKY BARRIER RECTIFIERS**(DO-201AD PACKAGE)**

TYPE	INDUSTRY	PEAK INVERSE VOLTAGE	MAX. AVG. RECT. CURRENT	MAX. FWD SURGE CURRENT 1 CYCLE 60HZ	MAX. FWD. VOLTAGE @ TA 25°C @ RATED CURRENT	MAX. REVERSE CURRENT @ 25°C @ RATED PIV	OPERATING TEMPERATURE RANGE
	PART NO						
1N5820 1N5821 1N5822	1N5820	20	3.0A @ 95°C	80	0.475 @ 3.0A 0.500 @ 3.0A 0.525 @ 3.0A	2.0	-65 TO +125
	1N5821	30					
	1N5822	40					
SR302 SR303 SR304	SR302	20	3.0A @ 75°C	150	0.55 @ 3.0A 0.55 @ 3.0A 0.55 @ 3.0A	3.0	-65 TO +125
	SR303	30					
	SR304	40					
SR305 SR306	SR305	50	3.0A @ 100°C	150	0.75 @ 3.0A 0.75 @ 3.0A	3.0	-65 TO +150
	SR306	60					

* TL: Lead Temp.

5A SCHOTTKY BARRIER RECTIFIER**(DO-201AD PACKAGE)**

TYPE	INDUSTRY	PEAK INVERSE VOLTAGE	MAX. AVG. RECT. CURRENT	MAX. FWD SURGE CURRENT 1 CYCLE 60HZ	MAX. FWD. VOLTAGE @ TA 25°C @ RATED CURRENT	MAX. REVERSE CURRENT @ 25°C @ RATED PIV	OPERATING TEMPERATURE RANGE
	PART NO						
SR502 SR503 SR504	SR502	20	5.0A @ 60°C	250	0.57 @ 5.0A	10	-65 TO +125
	SR503	30					
	SR504	40					
SR505 SR506	SR505	50	5.0A @ 85°C		0.70 @ 5.0A		-65 TO +150
	SR506	60					

* TL: Lead Temp.

PACKAGING

REEL PACKAGING

DEVICE CASE TYPE	QTY (PCS/REEL)	COMPONENT SPACING "A" FIG 1	APPROX GROSS WEIGHT PER REEL PACKED	CARTON SIZE	(PCS/CARTON)	APPROX. GROSS WEIGHT
DO41	5000	5mm	2.32KG	34 x 34 x 34.5cm (13.4 x 13.4 x 13.6in)	20,000 PCS	10.5KG
DO15	4000	(.197in)	2.25KG		16,000 PCS	10.0KG
DO201AD	1200	10mm	2.08KG		4,800 PCS	9.2KG
P6	700	(.394in)	1.55KG		2,800 PCS	7.3KG

FIG. 1

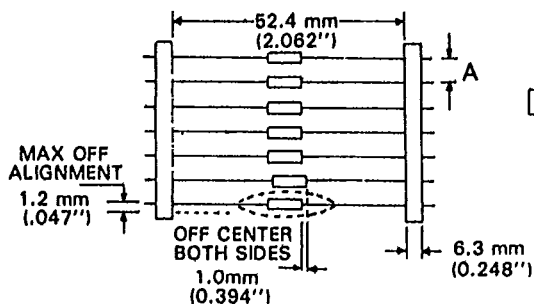


FIG. 2

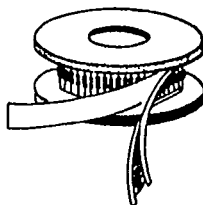
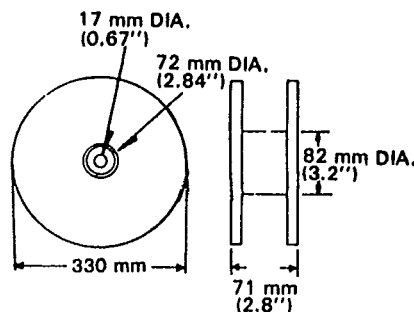


FIG. 3



AMMUNITION PACKAGING

DEVICE CASE TYPE	QTY (PCS/BOX)	COMPONENT SPACING "A" FIG 1	BOX SIZE	APPROX GROSS WEIGHT	CARTON SIZE	QTY PCS/CARTON	APPROX. GROSS WEIGHT
DO41	4000	5mm	26 x 10 x 10cm (10.24 x 3.9 x 3.94in)	1.55KG (3.42LB)	30 x 27 x 22cm (11.81 x 10.63 x 8.66in)	24,000	10KG (22.05LB)
DO15	2200	(.197in)		1.55KG (3.42LB)		13,200	10KG (22.05LB)
DO201AD	1000	10mm		1.4KG (2.6LB)		6,000	9.4KG (20.72LB)
P6	300	(.394in)		0.8KG (1.75LB)		1,800	7KG (15.43LB)

BULK PACKAGING

DEVICE CASE TYPE	BOX SIZE	QTY PCS/BOX	APPROX. GROSS WEIGHT	CARTON SIZE	QTY PCS/CARTON	APPROX. GROSS WEIGHT
DO41	20.3 x 8.3 x 2.54cm (8 x 3.5 x 1in)	1000PCS	0.38KG (.84LB)	46 x 21.5 x 25.4cm (18 x 8.5 x 10in)	50,000PCS	20KG (44LB)
DO15		700PCS	0.21KG (0.46LB)		35,000PCS	12KG (26.5LB)
DO201AD	20.3 x 8.3 x 5.08cm (8 x 3.5 x 2in)	500PCS	0.68KG (1.5LB)		12,500PCS	18KG (39.7LB)
P6		200PCS	0.50KG (1.1LB)		5000PCS	13.5KG (29.8LB)
W1,W2*	21 x 9 x 8.8cm (8.27 x 3.54 x 3.46in)	500PCS	STD 0.98KG(2.16LB) MIN 0.76KG(1.72L)	18.9 x 8.7 x 14.2in (48 x 22 x 36cm)	10,000PCS	STD 21KG(46.2LB) MIN 17KG(37.4LB)
BL2	23.5 x 23.5 x 5.5cm (7.3 x 7.3 x 2.2in)	400PCS	1.24KG (2.73LB)	51 x 25 x 30cm (20.1 x 9.8 x 11.8in)	4,000PCS	13.1KG (28.8LB)
BL4		400PCS	2.36KG (5.19LB)		4,000PCS	24.3KG (53.5LB)
BU4,BU6,BU8		400PCS	2.6KG (5.72LB)		4,000PCS	26.7KG (58.7LB)
BP8		200PCS	1.3KG (2.86LB)		2,000PCS	13.7KG (30.1LB)
BP3	21 x 21 x 5.5cm (8.3 x 8.3 x 2.2in)	200PCS	0.66KG (1.45LB)	47 x 22 x 27cm (18.5 x 8.7 x 10.6in)	1600PCS	5.9KG (13LB)
BP6		200PCS	0.94KG (2.07LB)		1600PCS	8.1KG (17.8LB)
BP10,15,25,35		50PCS	1.77KG (3.94LB)		400PCS	14.9KG (32.8LB)
HV07		20.6 x 20.6 x 5.6cm (8.1 x 8.1 x 2.2in)	50PCS		1.6KG (3.53LB)	46 x 21.5 x 25.4cm (18 x 8.5 x 10in)

FRONTIER ELECTRONICS CO., LTD.

10, LANE 42, MIN CHUAN ROAD, HSIN-TIEN
TAIPEI HSIEN, TAIWAN, R.O.C.

TEL: 9183191, 9183240, 913-5193

CABLE: FRONTRONIC TAIPEI

FAX: 886-2-9119143 TELEX: 32260 AZFEC