

HIGH TEMPERATURE STRAIGHT STANDARD HEADERS WITH AND WITHOUT RETAINER/EJECTOR LATCHES

.100" x .100" CENTERS



LR92984 E60980

PHYSICAL PROPERTIES

INSULATION MATERIAL: Glass filled thermoplastic rated UL 94V-0, Infrared and vapor phase process compatible
COLOR: Black
CONTACT MATERIAL: Phosphor bronze with 30µ inches min. gold over 50µ inches min. nickel plating

ELECTRICAL PROPERTIES

CURRENT RATING: 1 Amp
INSULATION RESISTANCE: >1 x 10⁹ Ohms @500 VDC
DIELECTRIC STRENGTH: >1000 VRMS @ sea level

ENVIRONMENTAL PROPERTIES

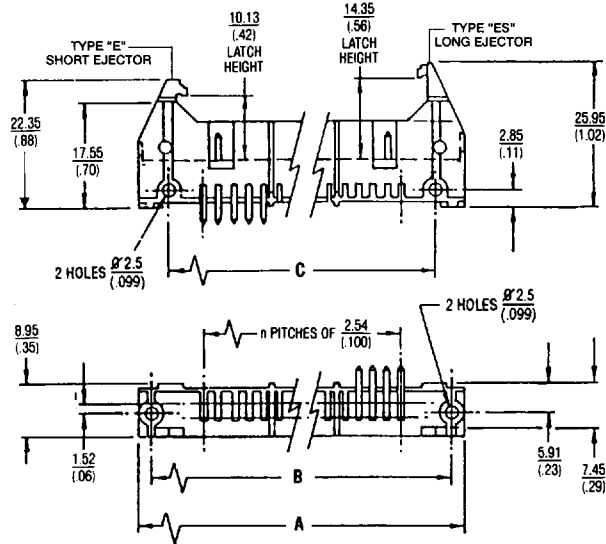
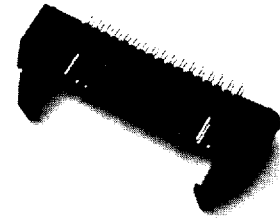
TEMPERATURE RATING: -55°C TO 125°C

MATING CONNECTORS

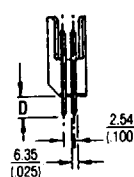
FEMALE SOCKETS: See pages 8-10

ACCESSORIES

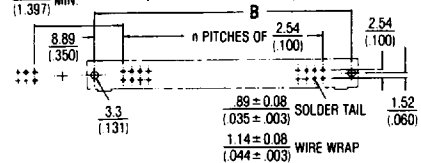
POLARIZING KEY: See page 42



STRAIGHT



RECOMMENDED PCB HOLE PATTERN
(FOR STRAIGHT PINS)



Ordering Information

PCB 1.57MM (.062) D=2.9MM (.114) STRAIGHT	CATALOG NUMBERS PCB 3.18 MM (.125) D=4.48MM (.176) STRAIGHT	WIREWAP D=15.5MM (.610) STRAIGHT	NO. OF POS.	DIMENSIONS IN MM (INCHES)		
				A	B	C
609-0624**HT	609-0634**HT	609-0654**HT	6	27.05 (1.07)	22.86 (.90)	16.76 (.66)
609-1024**HT	609-1034**HT	609-1054**HT	10	32.13 (1.26)	27.94 (1.10)	21.64 (.85)
609-1224**HT	609-1234**HT	609-1254**HT	12	34.64 (1.36)	30.48 (1.20)	24.38 (.96)
609-1424**HT	609-1434**HT	609-1454**HT	14	37.21 (1.46)	33.02 (1.30)	26.92 (1.06)
609-1624**HT	609-1634**HT	609-1654**HT	16	39.75 (1.56)	35.56 (1.40)	29.46 (1.16)
609-2024**HT	609-2034**HT	609-2054**HT	20	44.83 (1.76)	40.64 (1.60)	34.54 (1.36)
609-2424**HT	609-2434**HT	609-2454**HT	24	49.88 (1.96)	45.72 (1.80)	39.62 (1.56)
609-2624**HT	609-2634**HT	609-2654**HT	26	52.45 (2.06)	48.26 (1.90)	42.16 (1.66)
609-3024**HT	609-3034**HT	609-3054**HT	30	57.50 (2.26)	53.34 (2.10)	47.26 (1.86)
609-3424**HT	609-3434**HT	609-3454**HT	34	62.61 (2.46)	58.42 (2.30)	52.32 (2.06)
609-3624**HT	609-3634**HT	609-3654**HT	36	65.12 (2.56)	60.96 (2.40)	54.86 (2.16)
609-4024**HT	609-4034**HT	609-4054**HT	40	70.23 (2.76)	66.04 (2.60)	59.94 (2.36)
609-4424**HT	609-4434**HT	609-4454**HT	44	75.31 (2.96)	71.12 (2.80)	65.02 (2.56)
609-5024**HT	609-5034**HT	609-5054**HT	50	82.93 (3.26)	78.74 (3.10)	72.64 (2.86)
609-6024**HT	609-6034**HT	609-6054**HT	60	95.63 (3.76)	91.44 (3.60)	85.35 (3.36)
609-6424**HT	609-6434**HT	609-6454**HT	64	100.71 (3.96)	96.52 (3.80)	90.42 (3.56)

** For long ejectors, add ES (609-XXXESHT). For short ejectors, add E (609-XXXEHT)
 Add "R" suffix to part number for PCB retention feature.