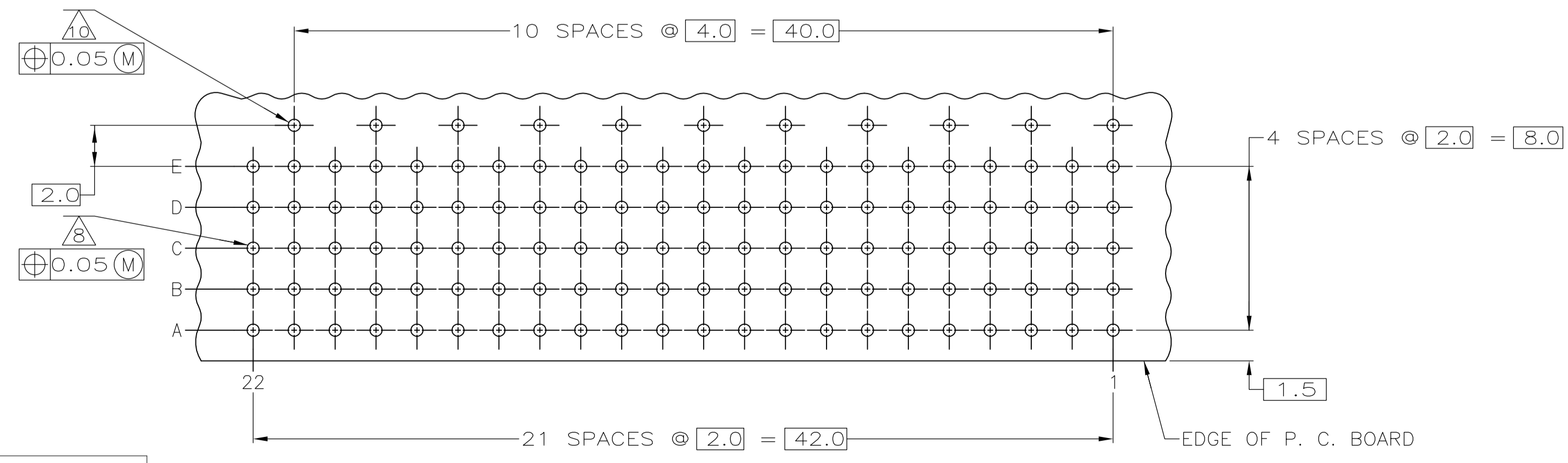
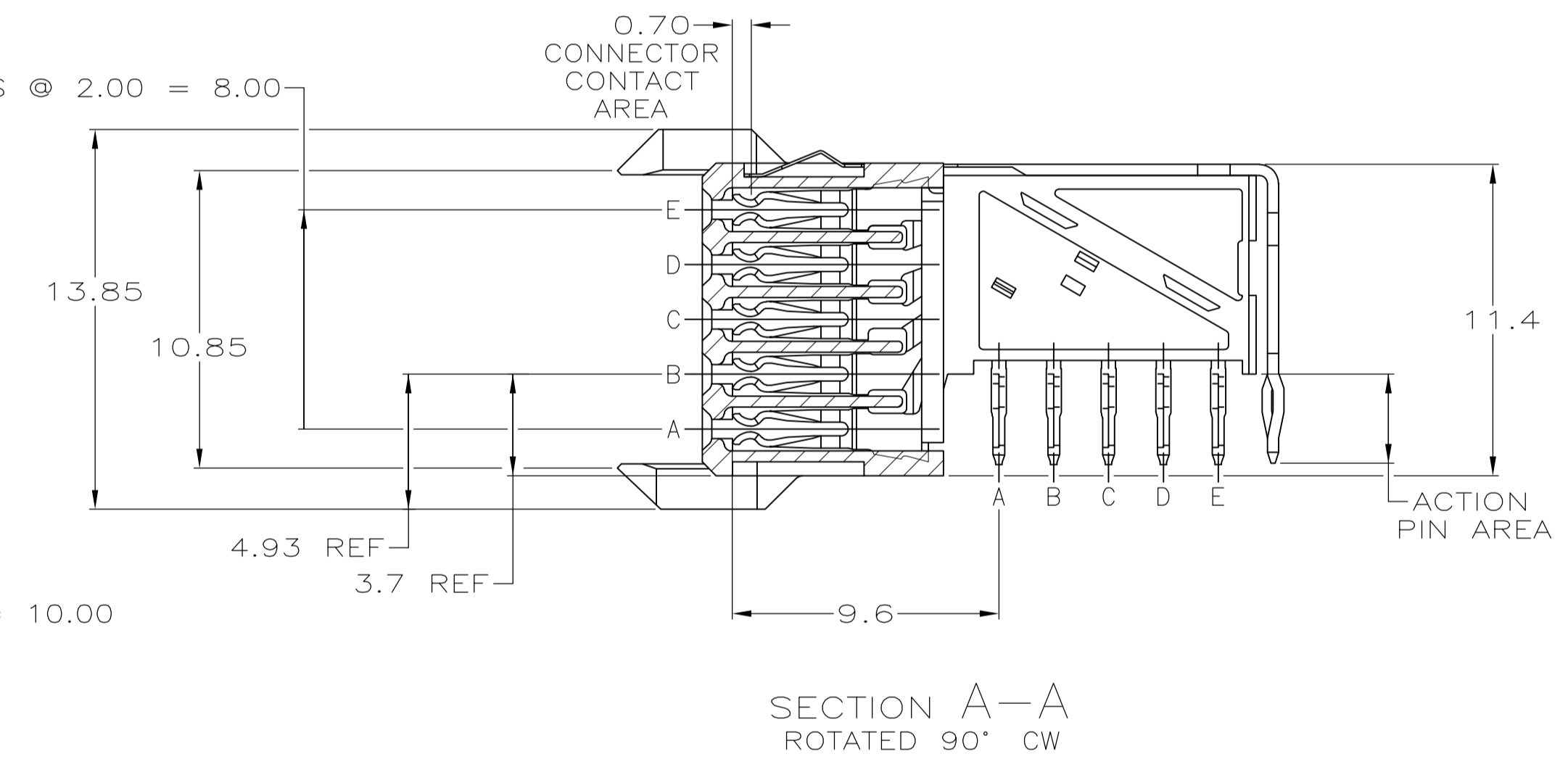
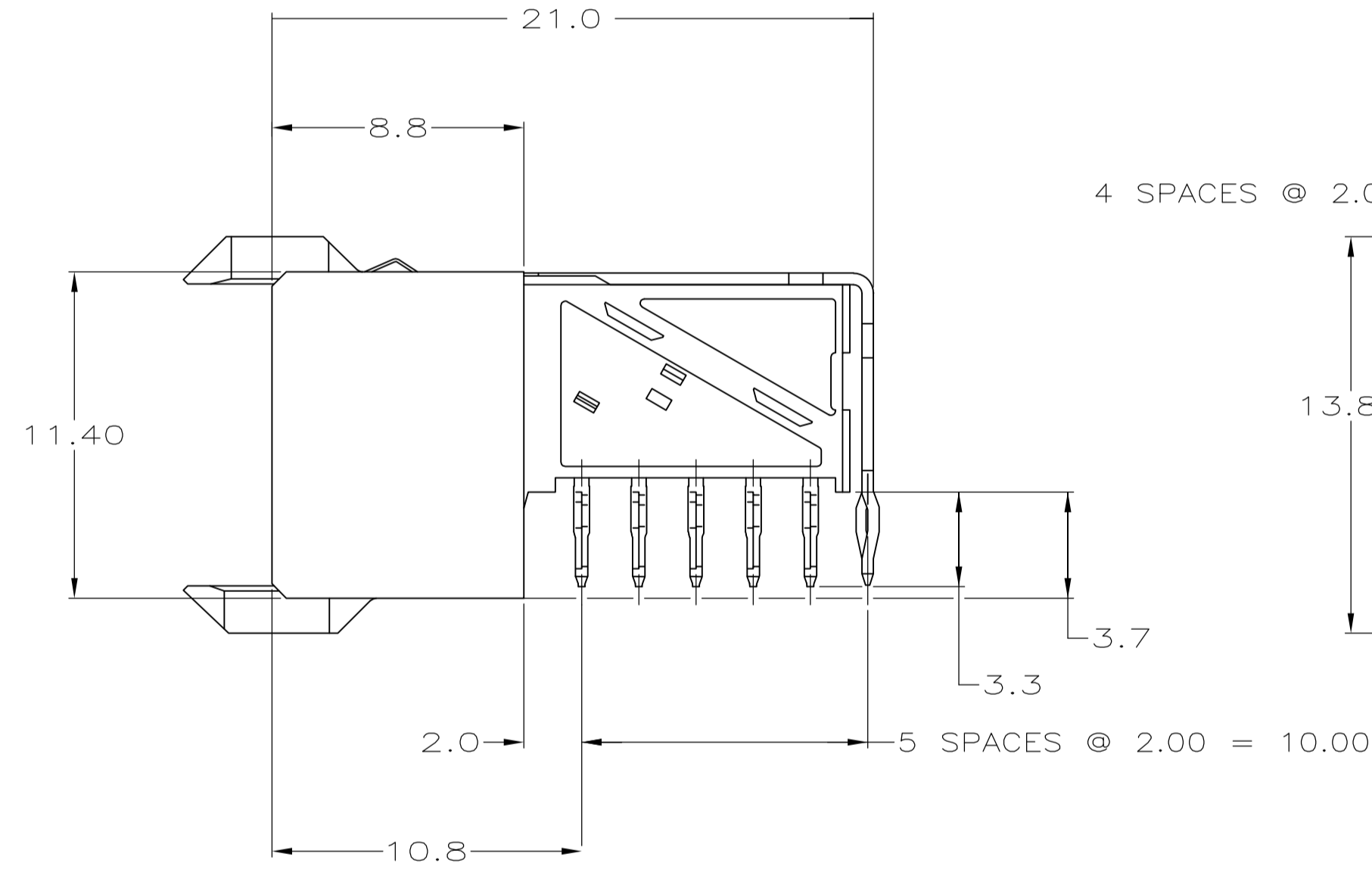
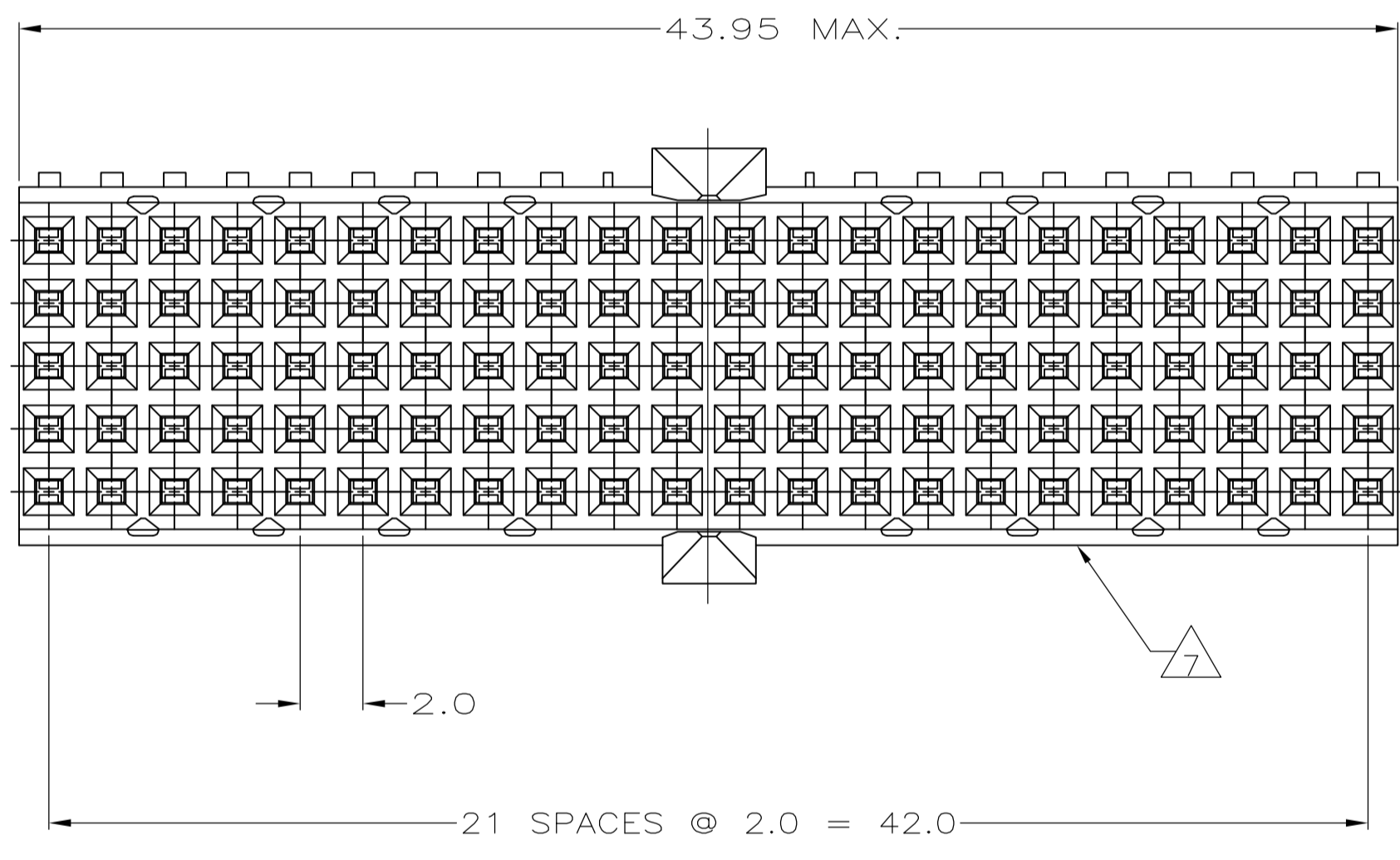
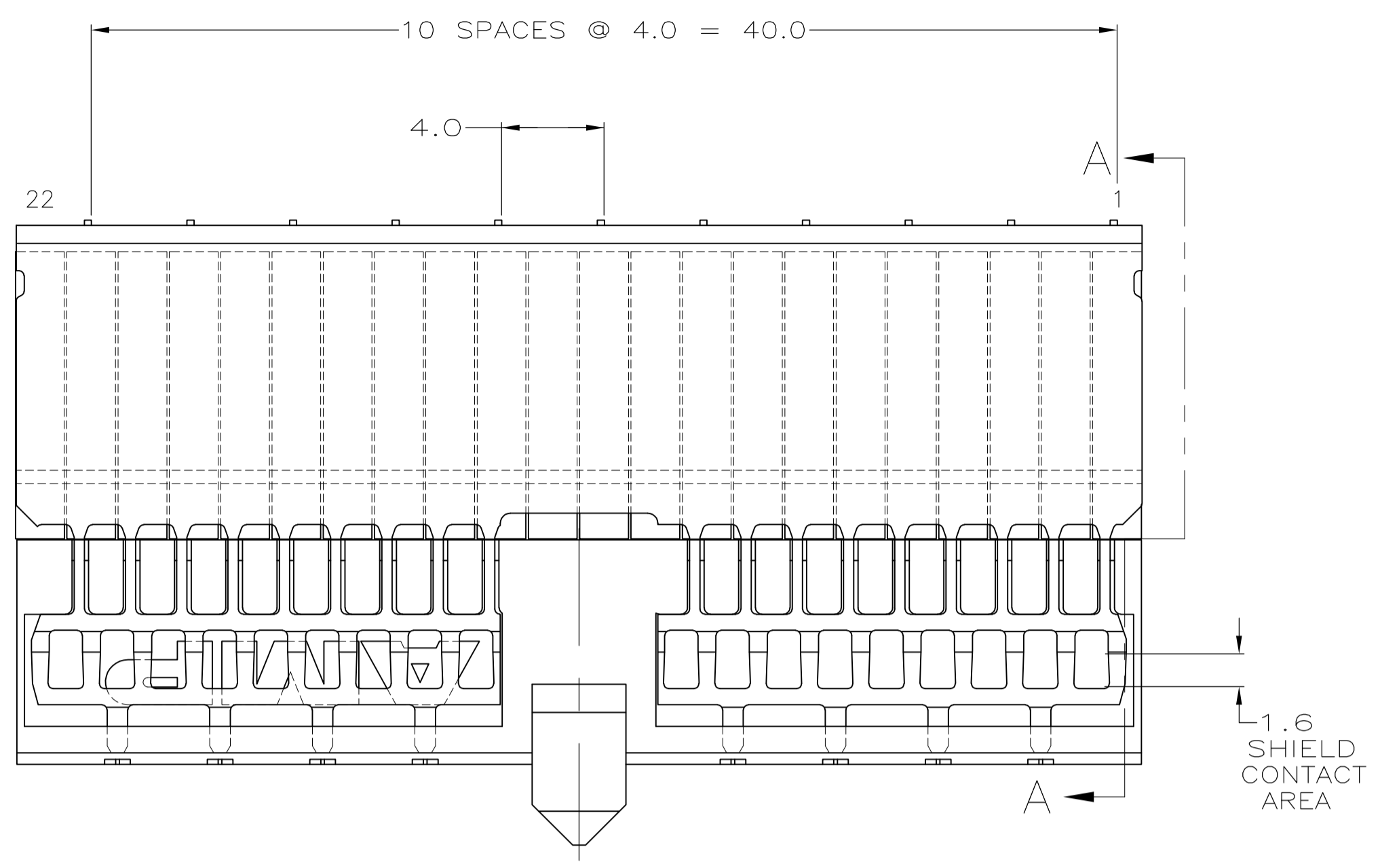


REVISONS		DATE	BY	APPV
B2	REV PER ECR-09-027136	11DEC2009	JY	SY
C	ECR-10-018652	10SEP10	SW	MQW
D	ECO-11-024491	13DEC11	SY	MQW
E	ECR-12-010544	05DEC12	SY	AC



PLATED THRU HOLES PARAMETERS  
 REFERENCE APPLICATION SPECIFICATION

RECOMMENDED PCB-HOLE LAYOUT  
 COMPONENT SIDE SHOWN  
 SCALE 2.5:1

- 1 MATERIAL:  
 CONTACT: PHOSPHOR BRONZE.  
 HOUSING: GLASS-FILLED POLYESTER.
- 2 GENERAL PLATING SPECIFICATION: UNDERPLATING  
 (ENTIRE CONTACT): 1.27µm MIN NICKEL AND ACTION  
 PIN: 0.5µm MIN TIN/LEAD.  
 FOR PLATING OF MATING SURFACES SEE APPLICABLE  
 SPECIFICATION REFERENCE FOR EACH DASH NUMBER.
- 3 CONFORMS TO ALL TESTING ACCORDING TO IEC 61076-4-101  
 PERFORMANCE LEVEL 2.
- 4 CONFORMS TO ALL TESTING ACCORDING TO IEC 61076-4-101  
 PERFORMANCE LEVEL 1.
- 5 CONNECTOR TESTED AND QUALIFIED AGAINST TELCORDIA GR-1217-CORE QUALITY LEVEL 3,  
 CENTRAL OFFICE APPLICATIONS.
- 6 CONNECTOR TESTED AND QUALIFIED AGAINST TELCORDIA GR-1217-CORE QUALITY LEVEL 3,  
 UNCONTROLLED ENVIROMENT APPLICATIONS.
- 7 CONNECTOR MARKED WITH PART NUMBER AND DATE CODE.  
 ADDITIONAL CHARACTERS OR MARKINGS, AS WELL AS THE LOCATION OF THE MARKINGS,  
 MAY BE ADDED FOR TRACEABILITY BASED UPON MANUFACTURERS DISCRETION.
- 8 PLATED-THROUGH HOLES AT 2x2mm SQUARE GRID  
 PATTERN DEFINED BY CONTACT LAYOUT.
- 9 CONNECTOR LUBRICATED WITH BELCORE APPROVED LUBRICANT,  
 TECHNICAL REFERENCE: TR-NWT-001217 ISSUE 1, SEP 1992.
- 10 PLATED THROUGH HOLES FOR UPPER SHIELD, ROW F.
- 11. SHIELD MOUNTED TO CONNECTOR WITH DOUBLE SIDED ADHESIVE TAPE OR ADHESIVE.
- 12 0.76µm MIN GOLD PLATING AT MATING SURFACES.

FINISH	PART NUMBER
2 3 12	3-646489-0
2 6 9	1-646489-9
2 5 9	646489-9
2 4	646489-4
2 3	646489-1

THIS DRAWING IS A CONTROLLED DOCUMENT.		DIN B CARDO 06DEC05	Tyco Electronics Corporation 's-Hertogenbosch, Nederland	
DIMENSIONS: mm		06DEC05	Tyco Electronics Corporation	
TOLERANCES UNLESS OTHERWISE SPECIFIED:		06DEC05	Tyco Electronics Corporation	
0-PLC ±	±0.2	RECEPTACLE ASSEMBLY, Z-PACK 2mm HM, TYPE A/B, PRE-SHIELDED, 110 POSITION		
1-PLC ±	±0.2	SIZE: A1		
2-PLC ±	±0.2	CAGE CODE: 00779		
3-PLC ±	±0.2	DRAWING NO: 646489		
4-PLC ±	±0.2	SCALE: 5:1		
ANGLES ±	±0.2	SHEET 1 OF 1		
MATERIAL	FINISH SEE TABLE	WEIGHT	CUSTOMER DRAWING	