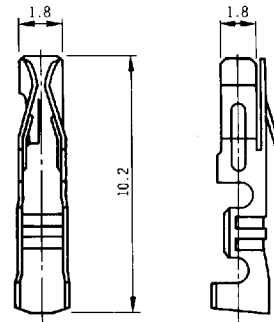


# CRIMP CONNECTOR

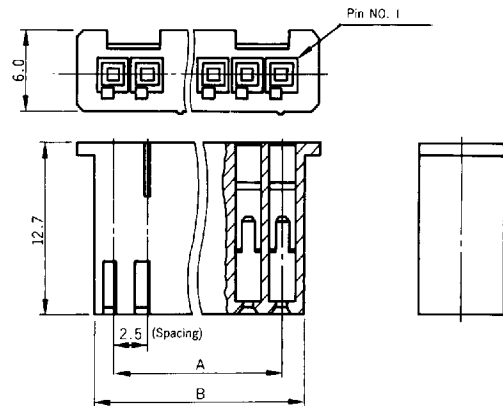
## ● Terminal

Part No.	Applicable Electrical Wire Size(AWG)	Electrical Wire Sheath Dia.(mm)	Material	Plating	No. of Terminal/Reel
W-T0853-11#01	22~30	φ 1.7~0.8	Phosphor Bronze	Tined (Rellow Treatment)	15000



## ● Housing

No. of Pins	Part No.	A	B
2	W-A3702-38	2.5	5.5
3	W-A3703-38	5.0	8.0
4	W-A3704-38	7.5	10.5
5	W-A3705-38	10.0	13.0
6	W-A3706-38	12.5	15.5
7	W-A3707-38	15.0	18.0
8	W-A3708-38	17.5	20.5
9	W-A3709-38	20.0	23.0
10	W-A3710-38	22.5	25.5
11	W-A3711-38	25.0	28.0
12	W-A3712-38	27.5	30.5
13	W-A3713-38	30.0	33.0
14	W-A3714-38	32.5	35.5
15	W-A3715-38	35.0	38.0



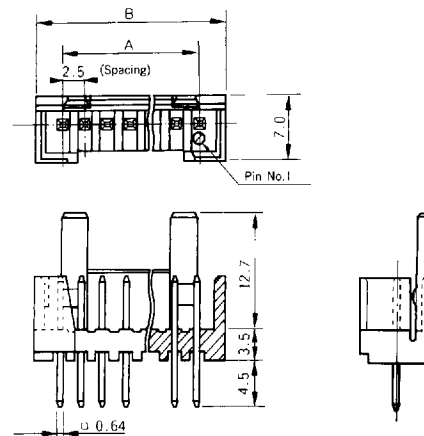
## ■ Material and Plating

- Housing: Polyphenylene Oxide (Gray) 94V-1

## ● Plug

No. of Pins	Straight Type	Right-Angle Type	A	B
2	W-P8502#11	W-P8102#11	2.5	7.5
3	W-P8503#11	W-P8103#11	5.0	10.0
4	W-P8504#11	W-P8104#11	7.5	12.5
5	W-P8505#11	W-P8105#11	10.5	15.0
6	W-P8506#11	W-P8106#11	12.5	17.5
7	W-P8507#11	W-P8107#11	15.0	20.0
8	W-P8508#11	W-P8108#11	17.5	22.5
9	W-P8509#11	W-P8109#11	20.0	25.0
10	W-P8510#11	W-P8110#11	22.5	27.5
11	W-P8511#11	W-P8111#11	25.0	30.0
12	W-P8512#11	W-P8112#11	27.5	32.5
13	W-P8513#11	W-P8113#11	30.0	35.0
14	W-P8514#11	W-P8114#11	32.5	37.5
15	W-P8515#11	W-P8115#11	35.0	40.0

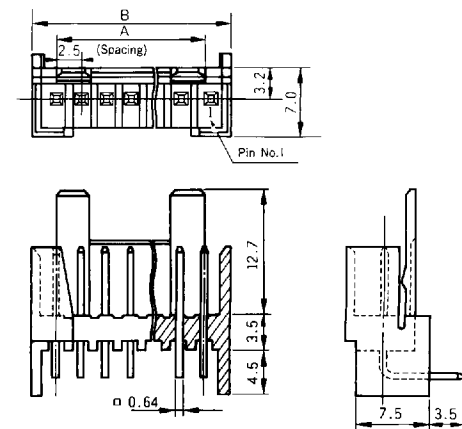
## Straight Type



## ■ Material and Plating

- Housing: Polyphenylene Oxide (Gray) 94V-1
- Plug pin: Phosphor Bronze Tin-lead plating

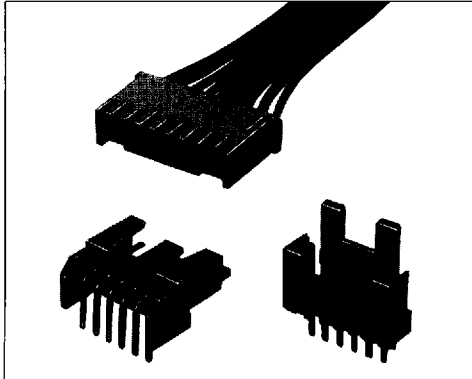
## Right-Angle Type



## CRIMP CONNECTOR

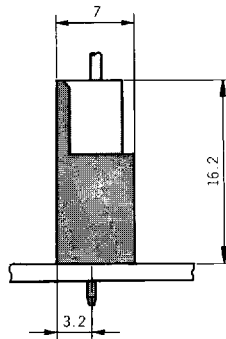
# MR Series 2.5mm Spacing

CRIMP CONNECTOR

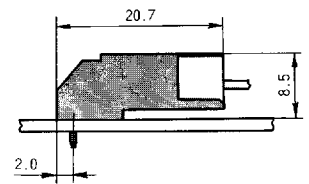


### ■ Connection Diagram

**Straight Type**



**Right-Angle Type**



### ■ Features

1. MR series are crimp type connectors featuring a compact design with pins set at 2.5mm spacing. Socket and plug connections for this model measure only 16.2mm high and 7.0mm thick.
2. Connectors in this series are available in two basic plug-in designs (straight or right-angle) and come in an assortment of fourteen different plug types ranging from 2P to 15P.
3. A lock mechanism is utilized for the socket and plug housings to ensure firm connection and to prevent improper plug insertion.

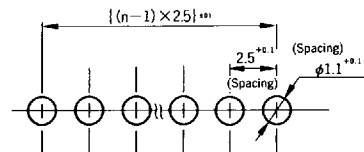
### ■ Specifications

1. Rating: 3A 50V AC/DC
2. Contact Resistance: 20mΩ max.
3. Insulation Resistance: 1000MΩ min. at 500V DC
4. Breakdown Voltage: 1000V AC for one minute
5. Operating Temperature Range: -25°C to +85°C
6. Applicable Wire Size: AWG22 to 30 (Sheath dia.  $\phi$ 0.8 to  $\phi$ 1.7mm)
7. Applicable PC Board Thickness: 1.6mm

### ■ NOTE

Contact the company directly if additional specifications are desired.

### ■ Diagram for PC Board Mount Holes



### ■ Structural Configuration Diagram

