

SEK-19 SV HT MA LP STR29 34P PL3 VC/RE

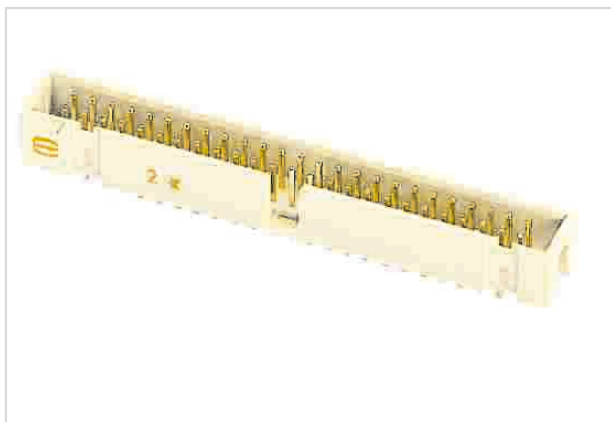


Image is for illustration purposes only. Please refer to product description.

| | |
|--------------------|---|
| Part number | 09 19 534 7324 740 |
| Specification | SEK-19 SV HT MA LP STR29 34P PL3 VC/RE |
| HARTING eCatalogue | https://b2b.harting.com/09195347324740 |

Identification

| | |
|----------------------------|-----------------|
| Category | Connectors |
| Series | SEK Low-profile |
| Element | Male connector |
| Description of the contact | Straight |

Version

| | |
|--------------------|------------------------------------|
| Termination method | Reflow soldering termination (THR) |
| Connection type | PCB to cable PCB to PCB |
| Number of contacts | 34 |
| Termination length | 2.9 mm |
| Pack contents | Tape & reel |

Technical characteristics

| | |
|------------------------------------|---|
| Contact rows | 2 |
| Contact spacing (termination side) | 2.54 mm |
| Rated current | 1 A |
| Insulation resistance | $>10^9 \Omega$ |
| Contact resistance | $\leq 20 \text{ m}\Omega$ |
| Limiting temperature | -55 ... +125 °C (during reflow soldering max. +240 °C for 60 s) |
| Insertion and withdrawal force | $\leq 102 \text{ N}$ |
| Performance level | 3 acc. to IEC 60603-13 |
| Mating cycles | ≥ 50 |



Pushing Performance
Since 1945

Technical characteristics

| | |
|---------------------------|-----------------------------|
| Test voltage $U_{r.m.s.}$ | 1 kV |
| Isolation group | II ($400 \leq CTI < 600$) |

Material properties

| | |
|---|--|
| Material (insert) | Thermoplastic resin (PCT) |
| Colour (insert) | Beige |
| Material (contacts) | Copper alloy |
| Surface (contacts) | Noble metal over Ni Mating side Sn over Ni Termination side |
| Material flammability class acc. to UL 94 | V-0 |
| RoHS | compliant |
| ELV status | compliant |
| China RoHS | e |
| REACH Annex XVII substances | Not contained |
| REACH ANNEX XIV substances | Not contained |
| REACH SVHC substances | Not contained |

Specifications and approvals

| | |
|----------------|--|
| Specifications | IEC 60603-13 |
| UL / CSA | UL 1977 ECBT2.E102079 CSA-C22.2 No. 182.3 ECBT8.E102079 |

Commercial data

| | |
|--------------------------------|--|
| Packaging size | 325 |
| Net weight | 5.6 g |
| Country of origin | Romania |
| European customs tariff number | 85366990 |
| GTIN | 5713140211483 |
| eCl@ss | 27460201 PCB connector (board connector) |

Current carrying capacity

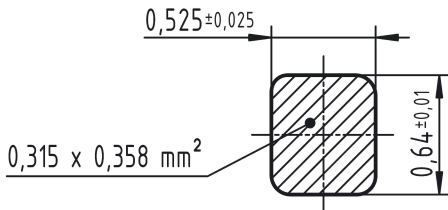
The current carrying capacity of the connectors is limited by the thermal load capability of the contact element material including the connections and the insulating parts. The derating curve is therefore valid for currents which flow constantly (non-intermittent) through each contact element of the connector evenly, without exceeding the allowed maximum temperature.

Measuring and testing techniques acc. to IEC 60512-5-2

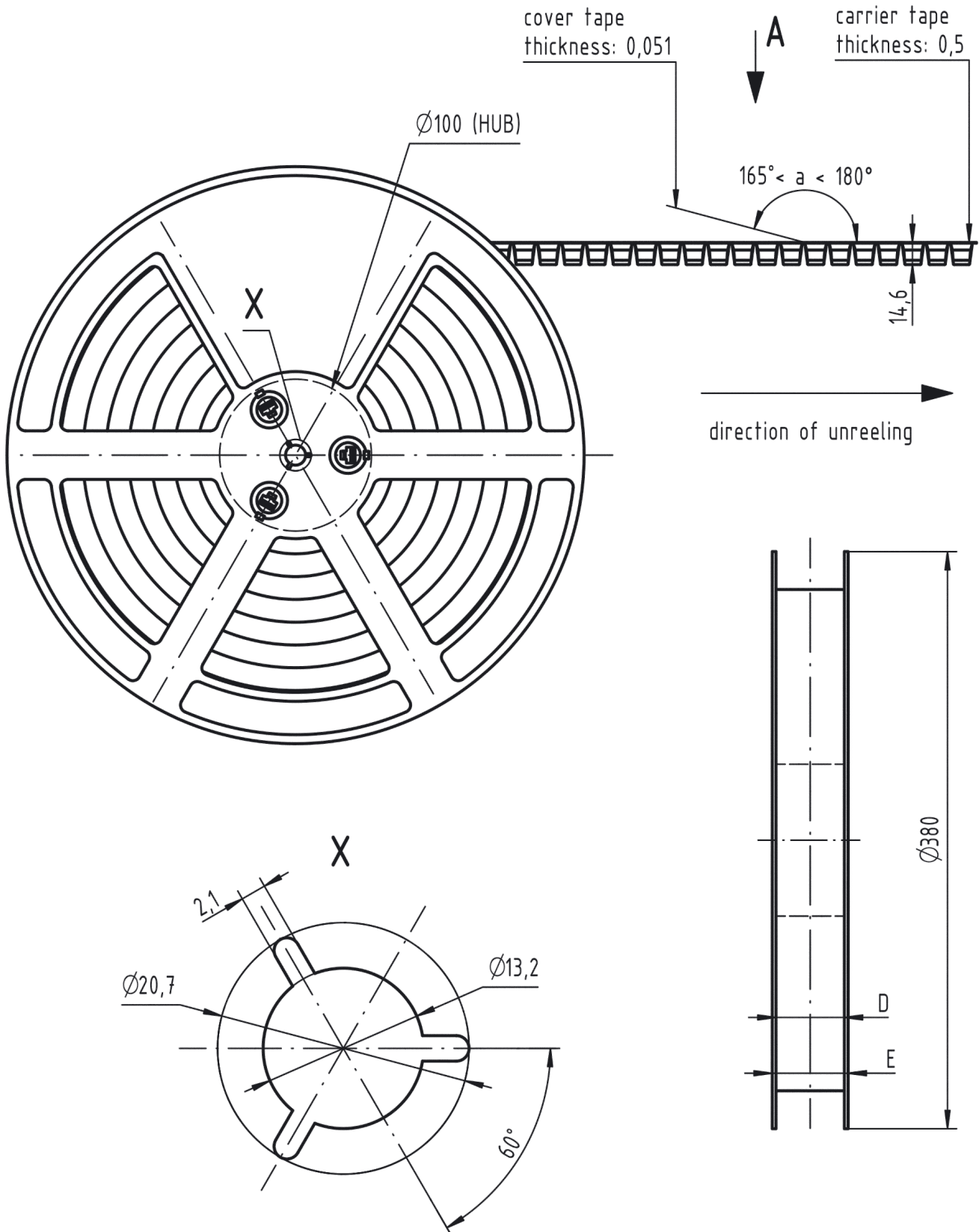


- ① Temperature raise
- ② Derating curve
- ③ Derating curve 80%

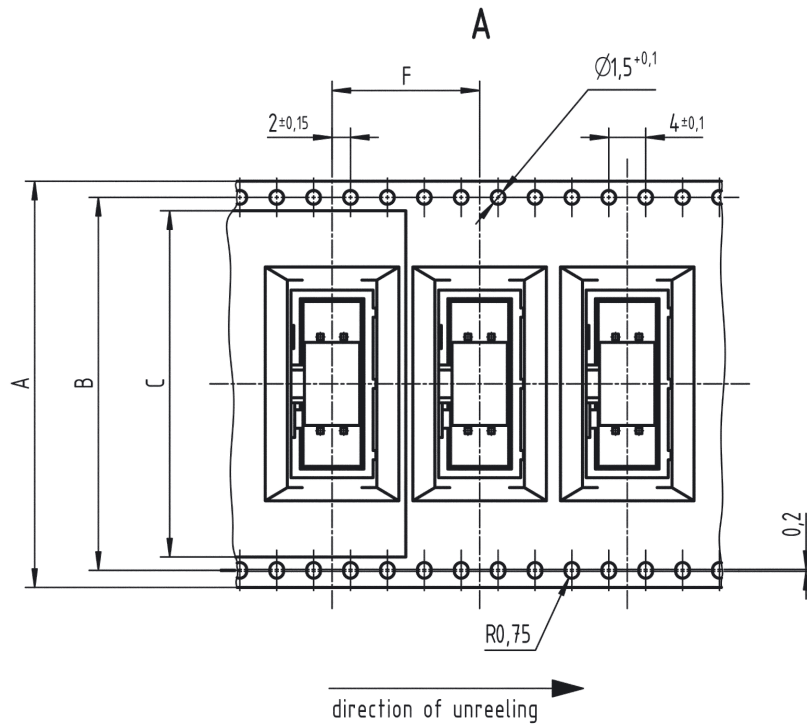
Cross section of solder termination



Reel dimensions



Tape layout & packaging



| colour | Part number |
|--------|-------------------|
| beige | 0919 5xx x32x 740 |
| black | 0919 5xx x32x 741 |

| | | | | | | | | | |
|----------|----|------|------|----|----|----|--|------------------------------------|---|
| 40 | 72 | 68,4 | 65,5 | 73 | 78 | 20 | 14 | 325 | 16 |
| 34 | 72 | 68,4 | 65,5 | 73 | 78 | 16 | 14 | 325 | 16 |
| 30 | 56 | 52,4 | 49,5 | 57 | 62 | 16 | 14 | 325 | 16 |
| 26 | 56 | 52,4 | 49,5 | 57 | 62 | 16 | 14 | 325 | 16 |
| 20 | 56 | 52,4 | 49,5 | 57 | 62 | 16 | 14 | 400 | 16 |
| 16 | 44 | 40,4 | 37,5 | 45 | 50 | 16 | 14 | 400 | 16 |
| 14 | 44 | 40,4 | 37,5 | 45 | 50 | 16 | 14 | 400 | 16 |
| 10 | 44 | 40,4 | 37,5 | 45 | 50 | 16 | 14 | 400 | 16 |
| 6 | 32 | 28,4 | 25,5 | 33 | 38 | 16 | 14 | 400 | 16 |
| contacts | A | B | C | D | E | F | -trailer- number of empty cavities | number of connector per reel | -leader- number of empty cavities |