

REV.	DESCRIPTION	DATE
A	RELEASED	12/22/98
B	更改料號	02/26/03

### SPECIFICATION:

#### ELECTRICAL:

INSULATION RESISTANCE : 5000 mΩ MIN.  
 DIELECTRIC WITHSTAND VOLTAGE: 500V AC R.M.S  
 VOLTAGE/CURRENT RATING: 250V/1AMP  
 CONTACT RESISTANCE: 20 mΩ MAX.

#### MATERIALS:

INSULATOR: POLYBUTYLENE TEREPHTHALATE(PBT)  
 UL94V-0 Rated.  
 COLOR: BLACK, WHITE, GREEN  
 CONTACT: BRONZE  
 PLATING: GOLD

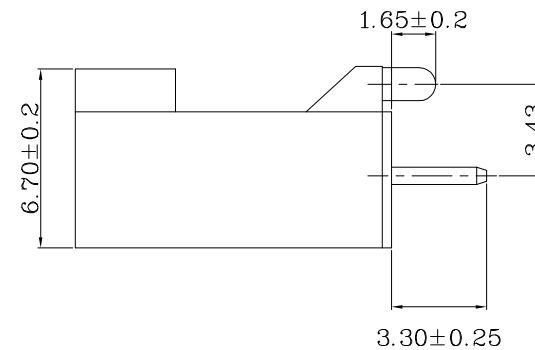
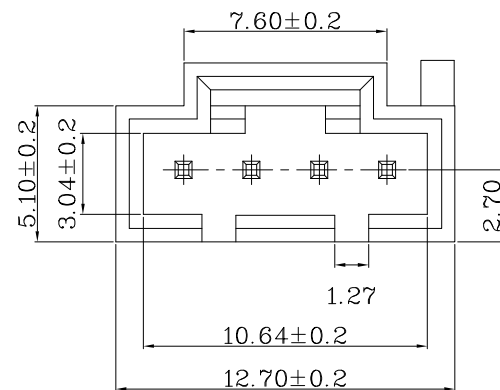
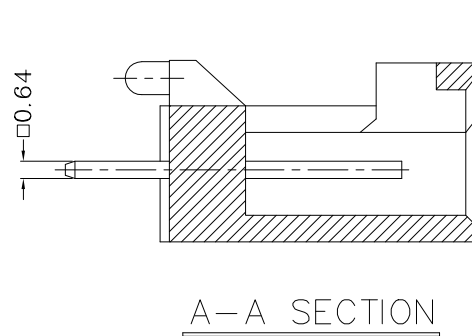
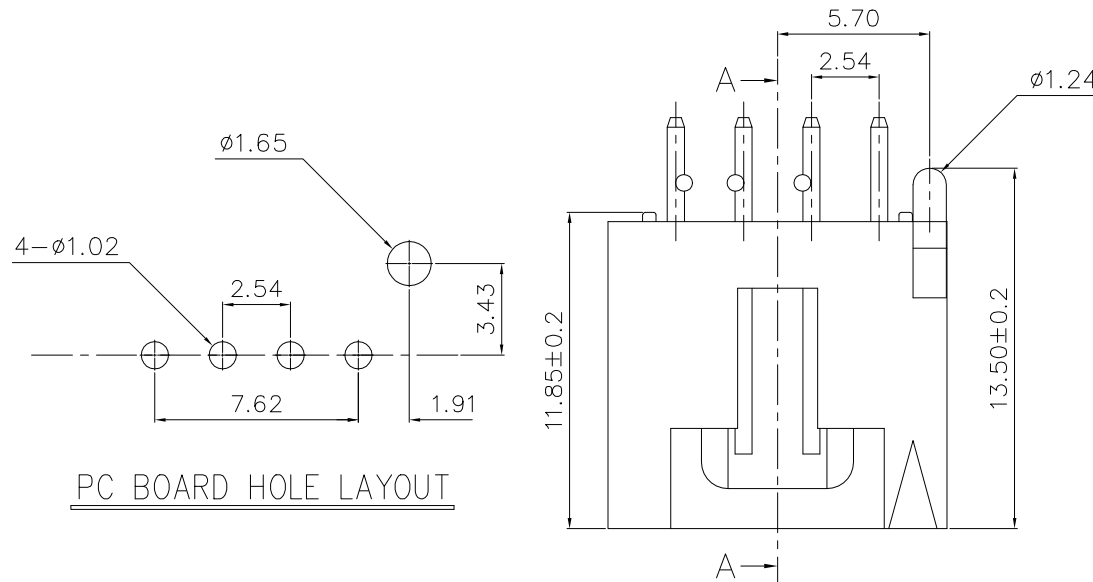
#### ENVIRONMENTAL:

TEMPERATURE: -45℃ TO 125℃

#### PART NUMBER:

WCD-04-K2LBK

R=Red W=White BL=Blue GY=Grey  
 G=Green Y=Yellow BK=Black BR=Brown  
 L=Left Post(左柱)  
 2=180°  
 K=With Kink  
 NO. of Contacts  
 Series NO.



檔名 F/Name	D:\FRANK\WCR\APPROVED\001.DWG	T E L	2299-4155(代表號)	未註入公差 Tolerance Unless Otherwise Specified	.X ~ ±0.30	設計 Designed		製圖 Drawing		檢圖 Reviewed		承認 Approved		單位 Unit	mm	比例尺 Scale	5:1	Third Angle Projection	
品名 P/Name	CD-ROM Connector (4P)	F A X	2299-4157	.XX ~ ±0.20										日期 Date	02/26/03		Sheet	1 Of 1	
公司 CO/Name	承豐精密工業股份有限公司 WIN WIN PRECISION INDUSTRIAL CO., LTD.			.XXX ~ ±0.15										圖名 Name	CD-ROM Connector 承認圖			REV	
				Angle ~ ± 3'										圖號 Drawing No.	WCR-004NDB2P-AN-N001			B	





