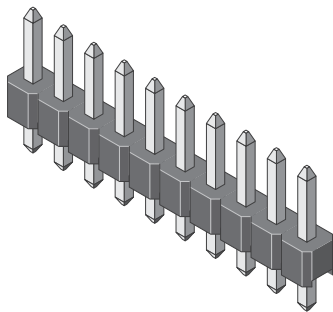


**PIN HEADER 2,50 mm**

**ID: 347**

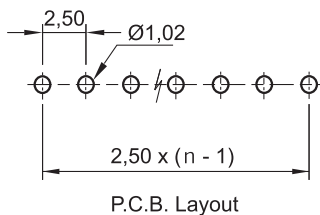
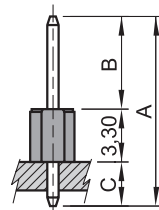
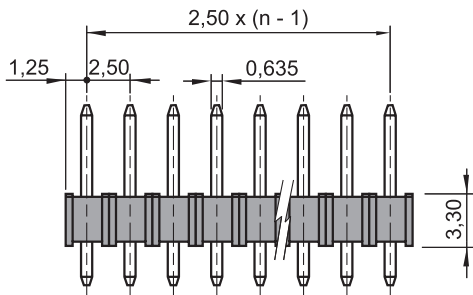
STL 15-XXXXG

Series 405



**TECHNICAL DATA**

Pitch	2,50 mm
Insulating Material	high temp. thermoplast UL94V-0
Contact Material	Brass
Rated Current	3 Amp.
Rated Voltage	250 V <sub>AC/DC</sub>
Withstanding Voltage	1000 V <sub>AC</sub> for one minute
Operating Temperature	-40°C to +105°C
Maximum Soldering Temperature	260°C for 10 seconds



Code	A	B	C
1020	10,20	4,40	2,50
1080	10,80	5,00	2,50
1130	11,30	4,70	3,30
1260	12,60	6,00	3,30
1400	14,00	7,40	3,30
1480	14,80	8,20	3,30
1790	17,90	11,30	3,30
1980	19,80	13,20	3,30
2160	21,60	15,00	3,30
2280	22,80	16,20	3,30
2490	24,90	16,30	3,30
1450	14,50	7,90	3,30
Custom	_____	_____	_____

All dimensions in mm.  
Other dimensions upon request.

**STL 15 - XXXX G XX - XX U**

15: 1 row, pitch 2,5mm

Code: see table

G: straight contacts

Plating: TT = Sn  
GT = Sel. Au  
GG = Au

U: RoHS-compliant with high temp. plastic

Pins: 1 - 40 poles possible