

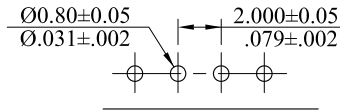
\*\*\* 2011 H Series \*\*\*

RoHS COMPLIANT

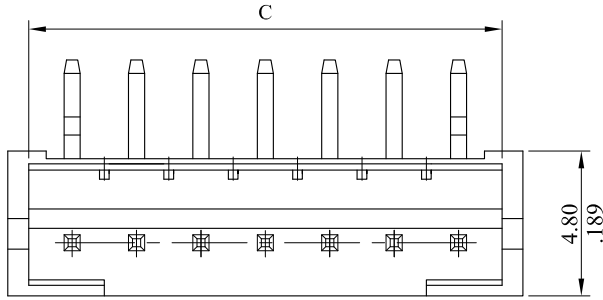
Material :  
 \* Insulator:UL94V-0 Nylon46 Nature  
 \* Contact : Brass  
 \* Plating : Tin plated 120μ " min over 30μ " min. nickel overall

2011P\*\*H0T0

1  
 1.No.of circuits

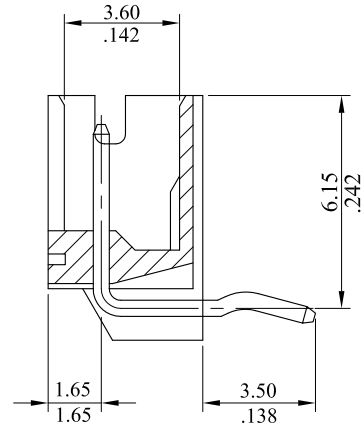
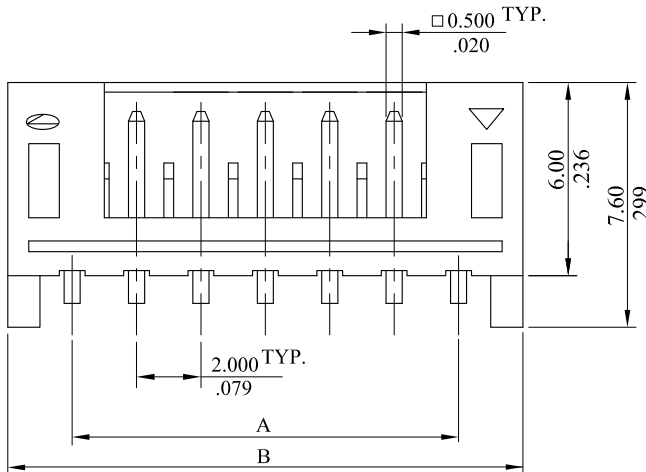


Recommended PCB Hole Pattern



Circuits with The position of the kink

circuits	the position of the kink
2P	1st 2nd
3P	1st 3rd
4P	1st 4th
5P	1st 5th
6P	1st 6th
7P	1st 4th 7th
8P	1st 4th 8th
9P	1st 5th 9th
10P	1st 5th 10th
11P	1st 6th 11st
12P	1st 6th 12nd
13P	1st 7th 13rd
14P	1st 7th 14th
15P	1st 8th 15th
16P	1st 8th 16th



Part No.	DIM. A	DIM. B	DIM. C	Part No.	DIM. A	DIM. B	DIM. C
2011P02H0T0	2.000 (.079)	6.0 (.236)	4.70 (.185)	2011P12H0T0	22.00 (.866)	26.0 (1.024)	24.70 (.972)
2011P03H0T0	4.000 (.157)	8.0 (.315)	6.70 (.264)	2011P13H0T0	24.00 (.945)	28.0 (1.102)	26.70 (1.051)
2011P04H0T0	6.000 (.236)	10.0 (.394)	8.70 (.345)	2011P14H0T0	26.00 (1.024)	30.0 (1.181)	28.70 (1.130)
2011P05H0T0	8.000 (.315)	12.0 (.472)	10.70 (.421)	2011P15H0T0	28.00 (1.102)	32.0 (1.260)	30.70 (1.209)
2011P06H0T0	10.000 (.394)	14.0 (.551)	12.70 (.500)	2011P16H0T0	30.00 (1.181)	34.0 (1.338)	32.70 (1.287)
2011P07H0T0	12.000 (.472)	16.0 (.630)	14.70 (.579)	2011P17H0T0	32.00 (1.260)	36.0 (1.417)	34.70 (1.366)
2011P08H0T0	14.000 (.551)	18.0 (.709)	16.70 (.657)	2011P18H0T0	34.00 (1.338)	38.0 (1.496)	36.70 (1.445)
2011P09H0T0	16.000 (.630)	20.0 (.787)	18.70 (.736)	2011P19H0T0	36.00 (1.417)	40.0 (1.575)	38.70 (1.524)
2011P10H0T0	18.000 (.709)	22.0 (.866)	20.70 (.815)	2011P20H0T0	38.00 (1.496)	42.0 (1.654)	40.70 (1.602)
2011P11H0T0	20.00 (.787)	24.0 (.945)	22.70 (.894)				

			<b>leoco</b> LEOCO CORPORATION		APPROVED: Chard		PART NO.: 2011P**H0T0														
D	ES121035	Change the triangle mark direction	GENERAL TOLERANCES: (UNLESS SPECIFIED)			DATE: 12.11.1		TITLE: HEADER													
C	ES120411					mm						inch									
B	ES110311		1 PLACE	± 0.30	± --	CHECKED: Angel		DRAWING NO.: 201125S													
A	DWG REL		2 PLACES	± 0.20	± .012	DATE: 12.10.31															
REV.	ECO. NO.	DESCRIPTION	3 PLACES	± 0.10	± .008	DRAWN: Bright		<table border="1" style="width: 100%;"> <tr> <th>UNITS</th> <th>SCALE</th> <th>SIZE</th> <th>SHEET</th> <th>REV.</th> </tr> <tr> <td>mm inch</td> <td>4:1</td> <td>A4</td> <td>1/1</td> <td>D</td> </tr> </table>				UNITS	SCALE	SIZE	SHEET	REV.	mm inch	4:1	A4	1/1	D
UNITS	SCALE	SIZE	SHEET	REV.																	
mm inch	4:1	A4	1/1	D																	
			4 PLACES	± --	± .004	DATE: 12.10.31															
			ANGULAR ± ( 1° )																		