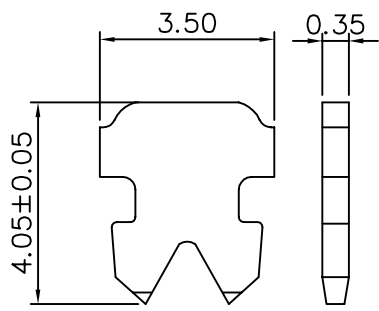
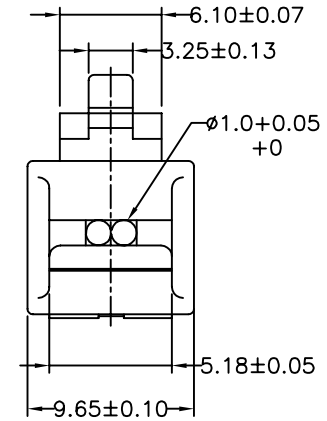
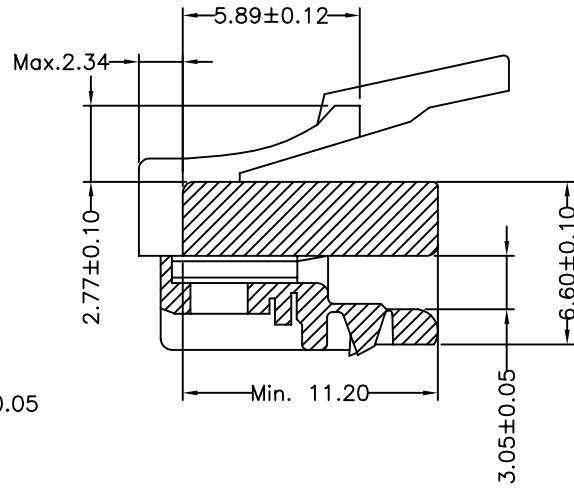
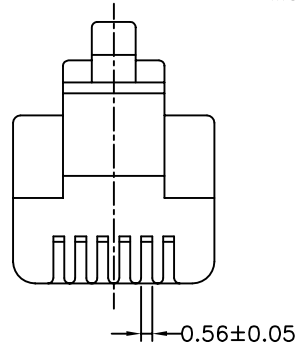
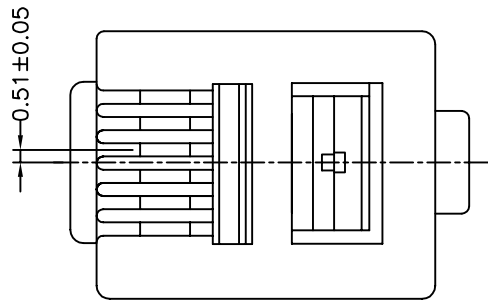
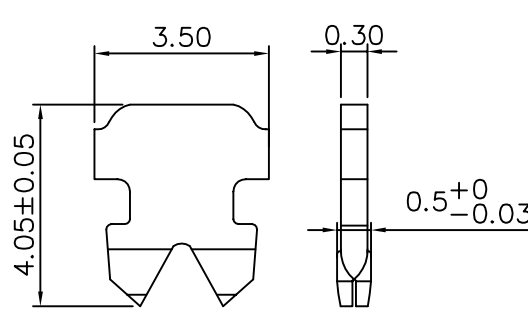


SPECIFICATIONS:

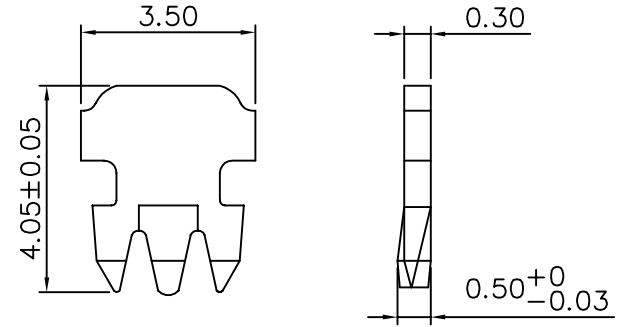
Insulator : Polycarbonate,UL 94V-2
 Contact: Copper Alloy,Gold Flash 50u"



2 Prongs For Stranded Wire



2 Prongs For Solid Wire



3 Prongs For Solid Wire



DRAWING No. MP0602F50

APPROVED BY MEI
 CHECKED BY RAN
 DRAWING BY HZF

UNLESS OTHERWISE SPECIFIED TOLERANCES ARE
 .X ±0.38
 .XX ±0.25
 AWG.

SCALE	NONE	REV.	A	UNIT	mm	AREA	REVISIONS	CHK	DATE
-------	------	------	---	------	----	------	-----------	-----	------