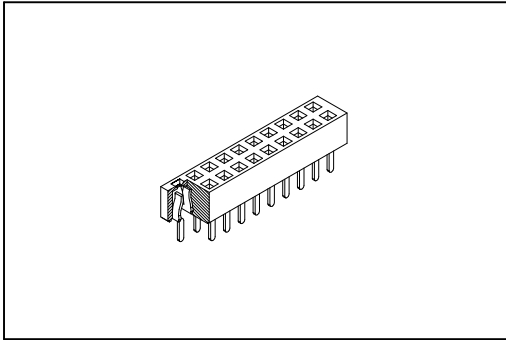


2041 series

P.C.B. Socket 2.54mmX2.54mm(0.100"X0.100")



Material:

Housing: Thermoplastic Polyester Glass Filled UL94V-0.

Contacts: Copper Alloy.

Electrical Characteristics:

Current Rating: 2 A.

Dielectric Withstanding Voltage: AC 1000V.

Insulator Resistance: 1000MΩ min.

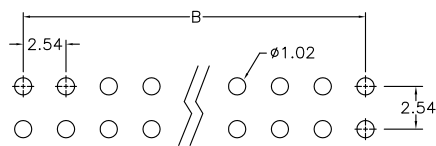
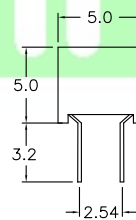
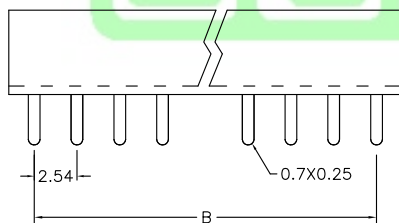
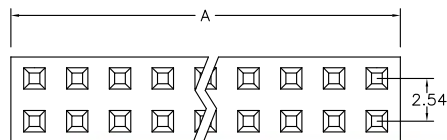
Contact Resistance: 20mΩ max.

Operating Temperature: -55°C~+105°C.

Features:

- * Available in Straight.
- * Low profile 5.0mm (0.197").
- * Mates with 0.64mm (0.025") square pin.
- * Dual beam contacts offer ultimate performance.
- * Additional plating options available.

Mates with: 2011,2012,2015.



P.C. Board Layout

Position Dimension	4 Thru 80
A	2.54 X No. of Positions /2
B	2.54 X No. of Positions /2-2.54

Ordering information

2041- 2 X 40 G 00 S A
 Series Double Row No. of Pin Per Row G: Gold Plated 00: G/F S: Straight A: Tray Package B: Bulk Package