



# 3HGRC SERIES

10 to 20kV, 2.5 to 3.0A, Standard Recovery Rectifier Blocks with Mounting Slots



## Features

- RC Compensated
- Epoxy Molded Encapsulation
- Threaded Brass Solder Terminal Inserts

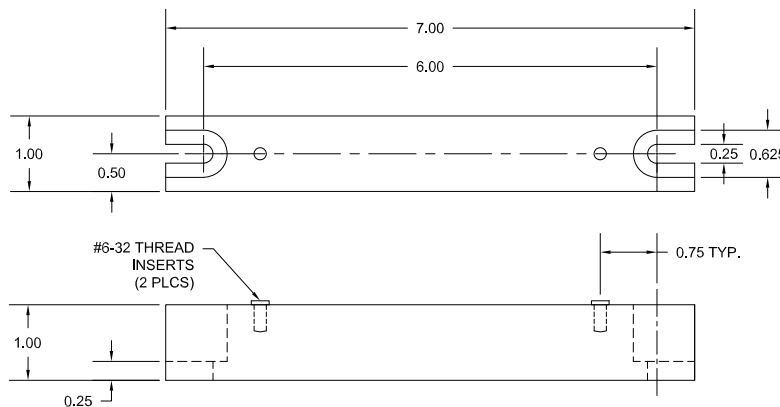
## Specifications<sup>1</sup>

Part Number	$V_{RRM}$ V	$I_{FAVM}$ A	$V_F$ V	$I_R$ $\mu A$	$I_{FSM}$ A
3HG10RC	10000	3.00	9	500	150
3HG15RC	15000	2.75	14	500	150
3HG20RC	20000	2.50	18	500	150

Temperature °C	
Operating Temperature	-45 to 150
Storage Temperature	-45 to 150

<sup>1</sup>125°C ambient temperature unless stated otherwise.

## Drawings



Dimensions in inches, tolerances  $\pm 0.020$  except as noted

## Specification Definitions

Specifications	Conditions
$V_{RRM}$ Maximum Repetitive Reverse Voltage	-
$I_{FAVM}$ Maximum Average Forward Current	At $T_A = 55^\circ C$
$V_F$ Maximum Forward Voltage Drop	At $I_{FAVM}$
$I_R$ Maximum Leakage Current	At $V_{RRM}$
$I_{FSM}$ Maximum Surge Current	At 8.3 mS, Single Half Sine

Note: Specifications subject to change without notice. Photo is representation only.

