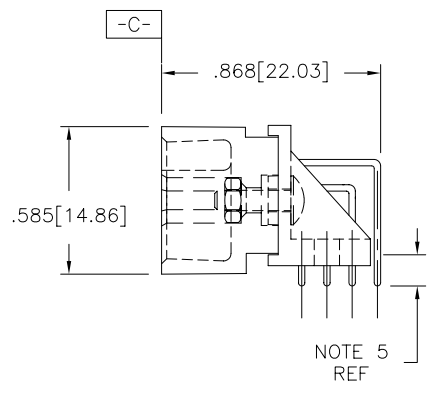
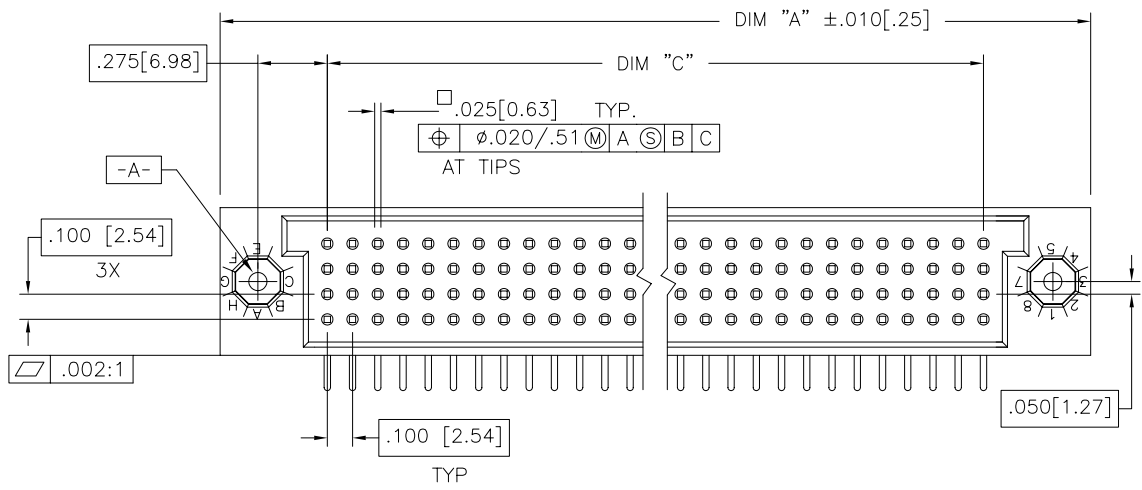
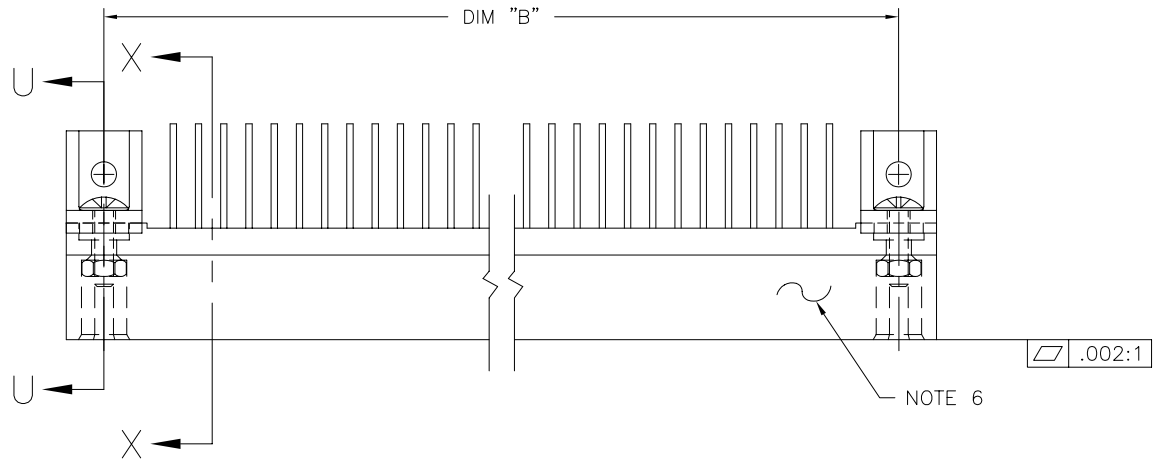


PRODUCT NUMBER
SEE NOTE 1

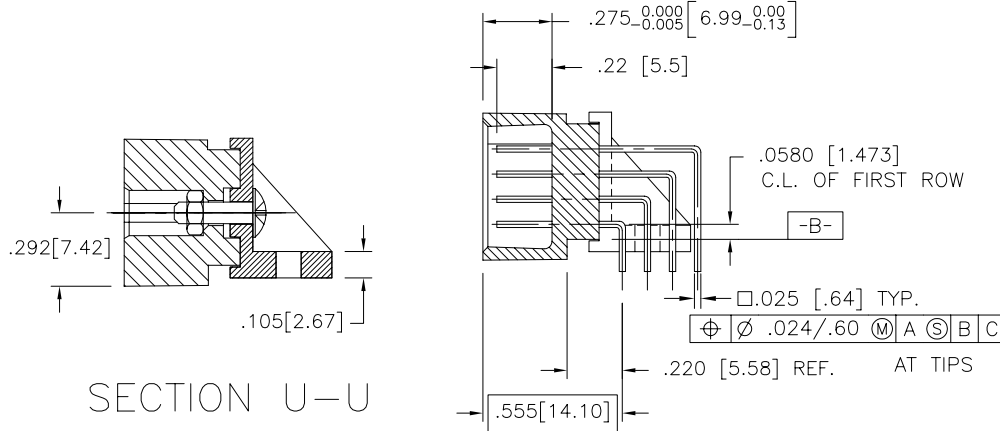


Copyright FCI

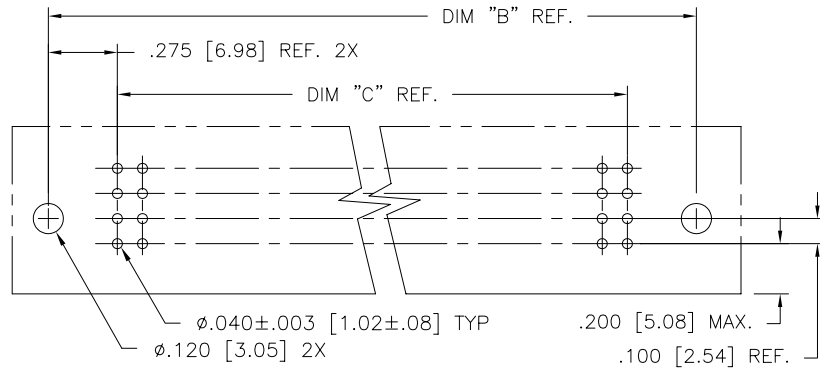
mat'l. code		surface ISO 1302 ✓		tolerance ISO 406 ISO 1101		projection INCH/MM		product family HPC	
ltr	ecn no	dr	date	tolerances unless otherwise specified		scale 1:1		title 4 ROW R/A HDR. w/SPL. BRACKETS, S.T. PINS, 0 G.P.	
A	V40843	PDP	5/5/94	angles	.XX±.01/.3			dwg no 50838	
B	V50270	SAR	3/10/95	linear	.XXX±.005/.13			sheet 1 of 2 A3	
C	C70122	EPK	3/31/98	0'±2'	.XXXX±.0020/.051			type Product Customer Drawing	
D	V94354	HTB	11/22/99	dr	P. PARSONS	5/9/94			
E	V00264	JWS	1/27/00	enr	J. AFTON	5/5/94			
F	M06-0255	AGS	7/7/06	chr	J. AFTON	5/10/94			
sheet index		revision sheet		F	F				
		1 2							

form: A3

PRODUCT NUMBER	DIM	LENGTH FORMULAS
SEE NOTE 1	DIM "A"	.100/2.54 x NO. OF COLUMNS + .75/19.1
	DIM "B"	.100/2.54 x NO. OF COLUMNS + .450/11.43
	DIM "C"	.100/2.54 x NO. OF COLUMNS - .100/2.54



- NOTES:
- PRODUCT NUMBERING CODE:
50838 - X YYY Z
TAIL LENGTH(NOTE 5)
PLATING(NOTE 4)
BASE NUMBER
NO. OF POSITIONS(NOTE 2)
 - THIS PRODUCT IS CONFIGURED IN SIZES OF 6 THRU 80 COLUMNS IN INCREMENTS OF ONE.
i.e.: 6, 7, 8, 9,.....78, 79, 80.
 - HOUSING MATERIAL : GLASS AND MINERAL FILLED HIGH TEMP. THERMOPLASTIC. FLAME RETARDANT PER UL94V-0. COLOR: BLACK. PIN MATERIAL : PHOS. BRONZE
 - PLATING OPTIONS :
1 = 30u"/.76u GOLD
3 = 50u"/1.27u GOLD
5 = 30u"/.76u GXT
 - TAIL LENGTH OPTIONS :
H = .180/4.57 , .130/3.30 w/SPL. BRACKET
J = .120/3.05 , .070/1.77 w/SPL. BRACKET
 - COMPANY NAME, P/N, AND LOT CODE TO APPEAR ON THIS SURFACE PER BUS-12-108.
 - FOR DOCUMENTATION MENU, SEE SPEC. BUS-01-057.
 - MANUFACTURE AS PER BUS-24-004.



mat'l. code		surface ISO 1302 ✓	tolerance ISO 406 ISO 1101	projection INCH/MM	product family HPC
ltr	ecn	no	dr	date	tolerances unless otherwise specified
F					angles .XX±.01/.3 linear .xxx±.005/.13 0'±2' .xxx±.0020/.051
					scale 1:1
					dr P. PARSONS 5/9/94
					enr J. AFTON 5/5/94
					chr J. AFTON 5/10/94
					appd J. AFTON 5/10/94
sheet index	revision sheet				type Product Customer Drawing
					title 4 ROW R/A HDR. w/SPL. BRACKETS, S.T. PINS, 0 G.P.
					dwg no 50838 sheet 2 of 2 size A3