

AXIAL LEAD

Dissipation 500 mW; available in ±10% tolerance. Add suffix A for ±5% tolerance

Device	Vz (nominal)	Iz	IR	VR	Typ. temp. coeff.	rd.	Package
	Volts	mA	μA	Volts	%/°C	ohms	
			max			typ	
CTZ 3.0	3.0	20	20	1	-0.066	24	DO-35
CTZ 3.3	3.3	20	10	1	-0.066	22	DO-35
CTZ 3.6	3.6	20	5	1	-0.065	21	DO-35
CTZ 3.9	3.9	20	5	1	-0.050	20	DO-35
CTZ 4.3	4.3	20	0.5	1	-0.040	18	DO-35
CTZ 4.7	4.7	20	10	2	-0.020	16	DO-35
CTZ 5.1	5.1	20	5	2	-0.010	14	DO-35
CTZ 5.6	5.6	20	10	3	+0.008	8	DO-35
CTZ 6.2	6.2	20	10	4	+0.025	3	DO-35
CTZ 6.8	6.8	20	5	5	+0.035	3	DO-35
CTZ 7.5	7.5	10	1	6	+0.045	4	DO-35
CTZ 8.2	8.2	10	0.5	7	+0.055	5	DO-35
CTZ 9.1	9.1	10	0.1	7	+0.060	6	DO-35
CTZ 10	10	10	0.1	8	+0.080	7	DO-35
CTZ 11	11	10	0.1	9	+0.065	8	DO-35
CTZ 12	12	10	0.1	10	+0.070	10	DO-35
CTZ 13	13	5	0.1	11	+0.075	12	DO-35
CTZ 15	15	5	0.1	13	+0.080	14	DO-35
CTZ 16	16	5	0.1	14	+0.085	16	DO-35
CTZ 18	18	5	0.1	16	+0.090	18	DO-35
CTZ 20	20	5	0.1	18	+0.100	20	DO-35
CTZ 22	22	5	0.1	19	+0.120	35	DO-35
CTZ 24	24	5	0.1	20	+0.120	38	DO-35
CTZ 27	27	5	0.1	22	+0.120	40	DO-35
CTZ 30	30	5	0.1	24	+0.120	48	DO-35
CTZ 33	33	5	0.1	26	+0.120	50	DO-35
CTZ 36	36	5	0.1	28	+0.120	75	DO-35
CTZ 39	39	5	0.1	30	+0.120	100	DO-35
CTZ 43	43	5	0.1	35	+0.120	130	DO-35
CTZ 47	47	5	0.1	42	+0.120	150	DO-35

All the above device are also available in DO-7 package on special request. Quote CAZ instead CTZ.

Above series with same specs. except IR=25 μA max are also available. Quote CBZ instead of CTZ

RADIAL LEAD

Dissipation 500 mW, available in ±10% tolerance, Add Suffix 'A' for ±5% tolerance. Closer tolerances on request.

Device	Vz	Iz	IR	VR	Package
CV 7	7.5	5	0.5	2	TO-105 Mod*
CV 8	8.2	5	0.5	2	TO-105 "
CV 9	9.1	5	0.5	2	TO-105 "

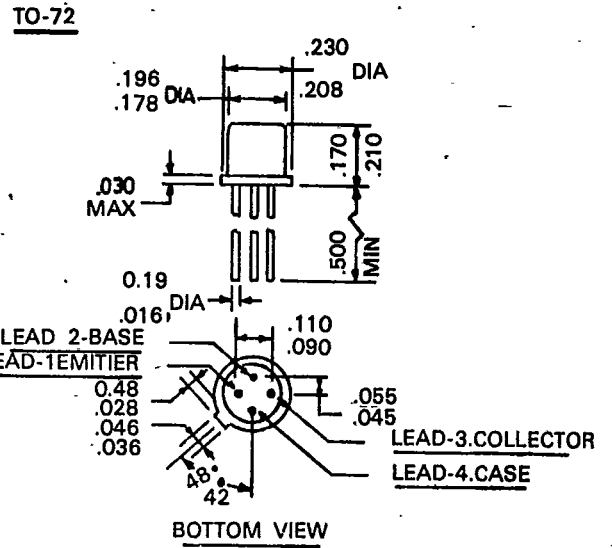
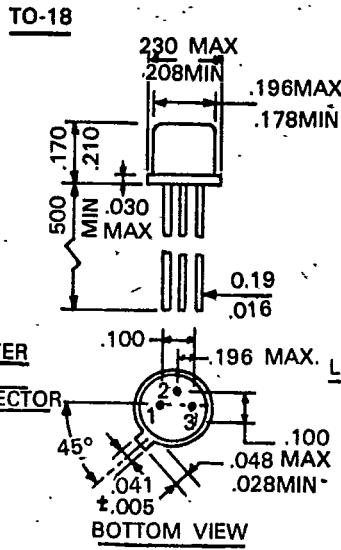
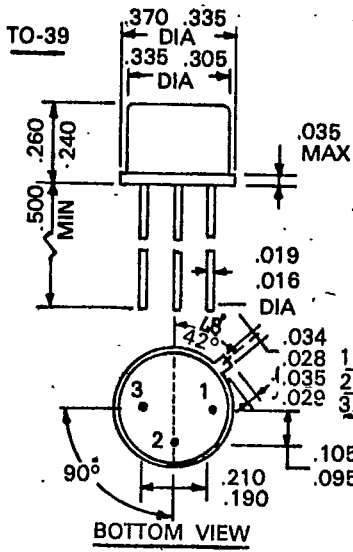
Dissipation 200 mW, available in ±10% tolerance, Add Suffix 'A' for ±5% tolerance. Closer tolerances on request.

Device	Vz	Iz	IR	VR	Package
CZ 5	5.8	5	0.2	2	TO-106 "
CZ 6	6.8	5	0.2	2	TO-106 "
CZ 7	7.5	5	0.2	2	TO-106 "
CZ 8	8.2	5	0.2	2	TO-106 "
CZ 9	9.1	5	0.2	2	DO-106 "
CZ 10	10.0	5	0.2	2	DO-106 "

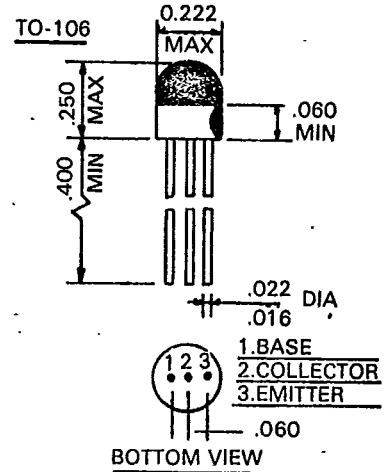
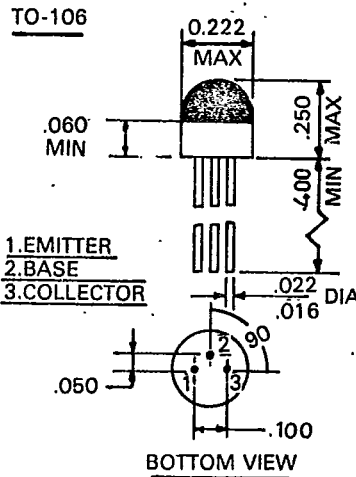
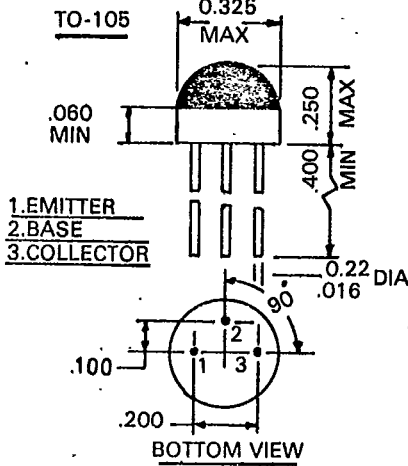
*TO-105/TO-106 Modified packages are 2 lead devices.

ALL DIMENSIONS IN INCHES

PACKAGE OUTLINES



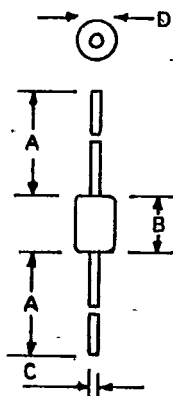
For transistor BF 167, 173 in TO-72 Package Base & Emitter leads get interchanged.



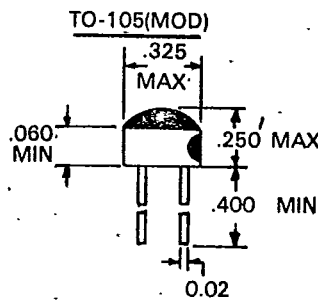
Note; For HF. transistor TO-106 Package 1. Base 2. Emitter and 3. Collector

TYPICAL DIMENSIONS

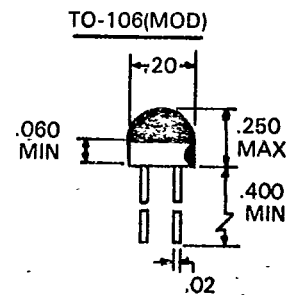
Dim	Package			
	DO-7	DO-35	DO-41	DO-34
A	1.100	1.100	1.100	1.100
B	0.230	0.140	0.150	0.104
C	0.020	0.020	0.032	0.020
D	0.096	0.070	0.94	0.056



LEAD ADJACENT TO DOT OR BAND-IS CATHODE

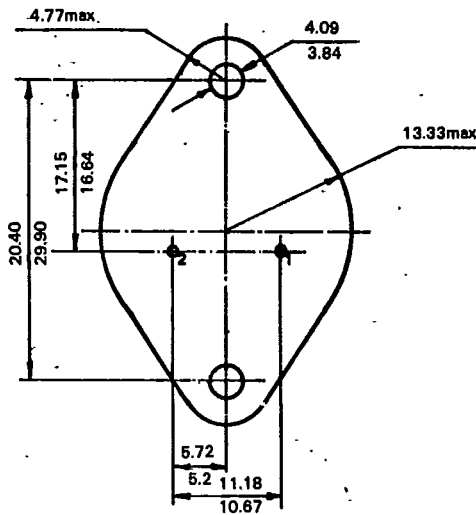
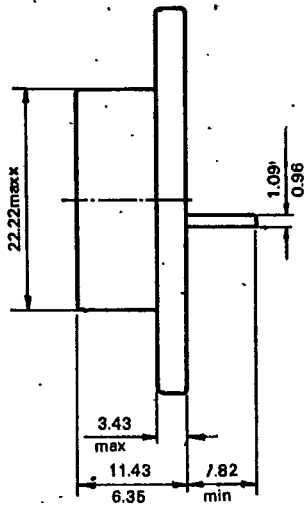


LEAD ADJACENT TO DOT IS CATHODE



LEAD ADJACENT TO DOT-IS CATHODE

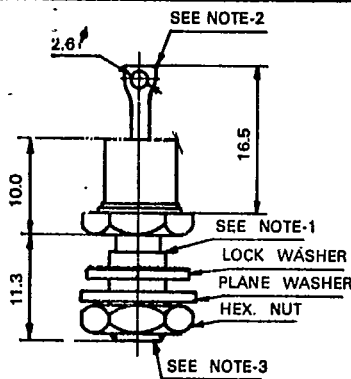
PACKAGE OUTLINES



TO-204AA

Pin Configuration: 1:Base
2:Emitter
Body : Collector

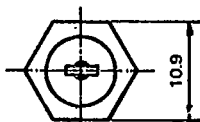
ALL DIMENSIONS IN M.M.



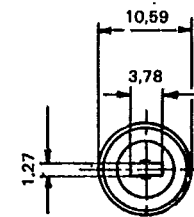
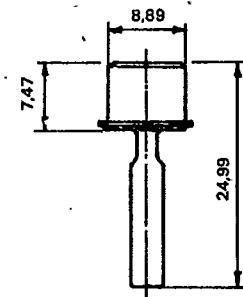
NOTES:

1. Threads to extend to within 2—1/2 threads of seating plane.
2. Angular orientation undefined.
3. lo-32 UNF-2A maximum pitch dia shall be (1687" 4.29 mm)

(All dimensions in mm)

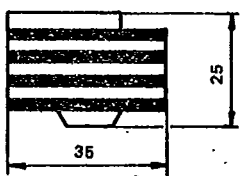
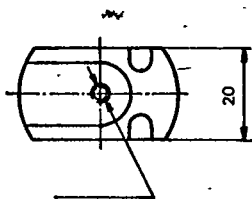


DO-4

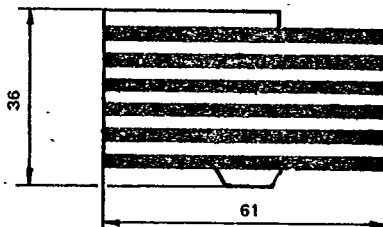
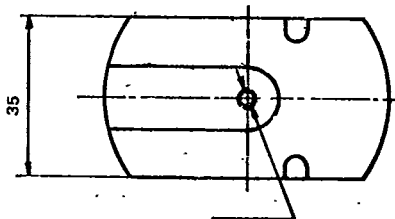


DO-21

HEAT SINK:



K 6 (3,6 AMP. DIODES)



K 12 (12 AMP. DIODES)

PACKAGE OUTLINES

FOR TO-92 AND TO 237 PACKAGE PIN CONFIGURATION FROM LEFT TO RIGHT IS COLLECTOR-BASE-EMITTER, KEEPING FLAT FACE IN FRONT AND LEADS POINTING DOWNWARDS.

