

Round Type

T-41-21

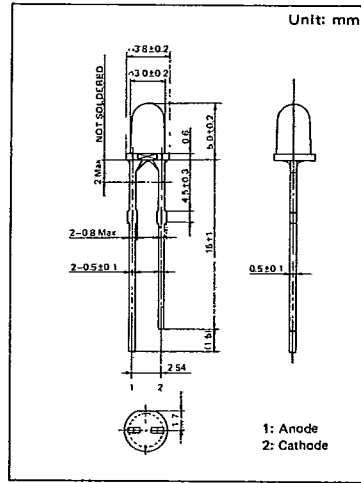
(Standard Lead Type)

T-1 Series (Green Amber)

- Characteristics:
1. Lighting surface T-1 round type
 2. Many lens color variations
 3. High reliability, long life

Absolute Maximum Ratings (Ta = 25°C)

Lighting Color	P _D (mW)	I _F (mA)	I _{FM} (mA)	V _R (V)	T _{opr} (°C)	T _{stg} (°C)
Green	90	30	40	4	-25~+85	-30~+100
Amber	90	30	40	4	-25~+85	-30~+100



Electro-Optical Characteristics (Ta = 25°C)

Type No.	Lens Color	I ₀			V _F		λ _p	Δλ _p	I _F	I _R	V _R
		Typ.	Min.	I _F	Typ.	Max.	Typ.	Typ.			
LN38QP	Green Diffused	2.0	0.7	20	2.2	2.8	565	30	20	10	4
LN38GCP	Green Clear	4.0	1.0	20	2.2	2.8	565	30	20	10	4
LN48YP	Amber Diffused	4.0	1.4	20	2.2	2.8	590	30	20	10	4
LN48YCP	Amber Clear	6.0	—	20	2.2	2.8	590	30	20	10	4
Unit	—	mod	mod	mA	V	V	nm	nm	mA	μA	V

△ Tentative specification

