

# SINGLE ROW CRIMP CONNECTOR HOUSING



## 1205 SERIES. 1.25 mm. (0.049") Pitch.

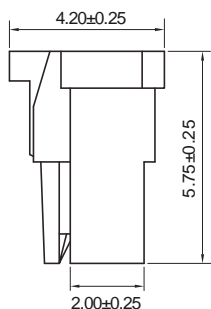
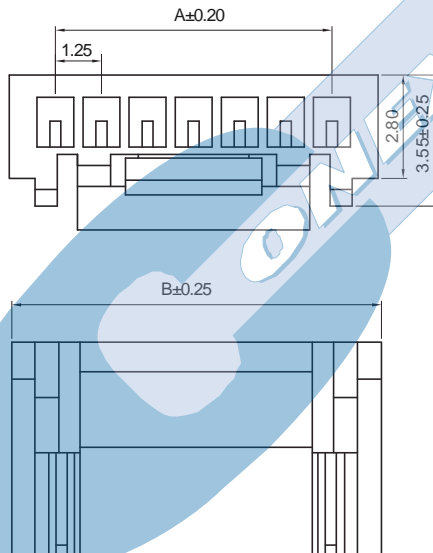
### General Features

- Available in 2 through 15 circuits
- Mates with 1.25 mm pitch header
- Latch housing secure terminal in housing and provide extra terminal retention
- Use crimp terminal 1206
- Positive lock

### Materials

- Insulator: PBT UL 94 V
- Operating temperature. -25°C to +85°C
- RoHS compliant

### Dimensional Information

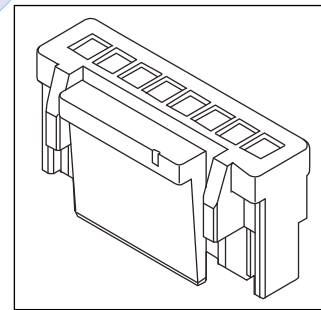


### Electrical Features

- Voltage rating: < 150 V
- Current rating: < 1 A
- Contact resistance: < 30 mΩ
- Dielectric withstanding voltage: 500 V AC/minute
- Insulation resistance: >500 MΩ

### Mechanical Features

- Contact insertion force: < 400 gf
- Contact retention force to the housing: > 0,70 Kgf
- Durability: 25 cycles



**1205 - 2- XX- 1**  
1 2 3

1. Connector Serie

3. (XX) Number of circuits

- Available in 2 through 15 circuits

### Dimensions:

A = 1.25 x (XX-1)

B = 1.25 x (XX) + 2.50

(XX) = Number of circuits