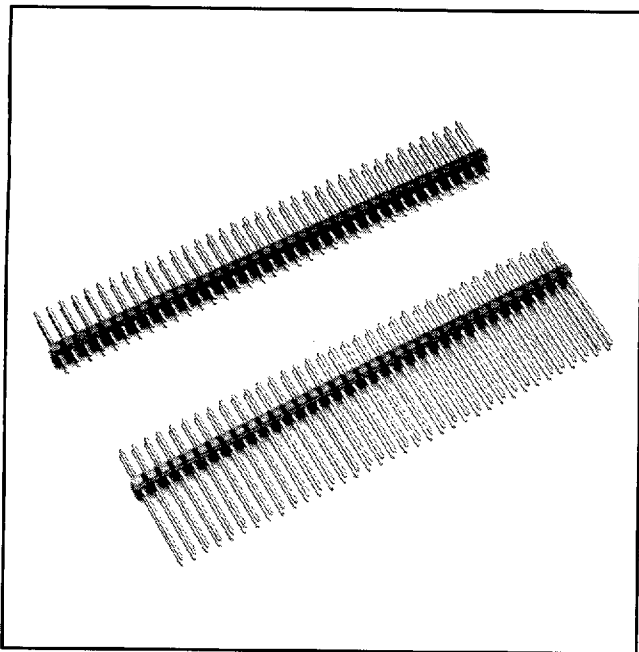


.100" x .100" Pin Strip Header

.235/.318 Mating Length, Straight Solder/Wrap Tails

929 Series



- Tin lead or gold plating available
- Stackable
- Board pin retention feature available

62

TS-0150-07
Sheet 1 of 2

Physical

Insulation

Material: Glass Filled Polyester (PBT)
Flammability: UL 94V-0
Color: Black

Contact

Material: Copper Alloy
Plating
Underplate: Nickel — QQ-N-290, Class 2
Wiping Area: Gold — MIL-G-45204, Type II, Grade C
Solder Tails: Tin Lead — MIL-P-81728

Note: The location and thickness of the contact plating is determined by the part number. Refer to ordering information.

Electrical

Current Rating: 2.5 A
Insulation Resistance: $>5 \times 10^9 \Omega$ at 500 VDC
Withstanding Voltage: 1500 Vrms at Sea Level

Environmental

Temperature Rating: -40°C to $+105^\circ\text{C}$

UL File No.: E68080

3M Electronic Products Division

6801 River Place Blvd.
Austin, TX 78726-9000

9005413 0000166 963

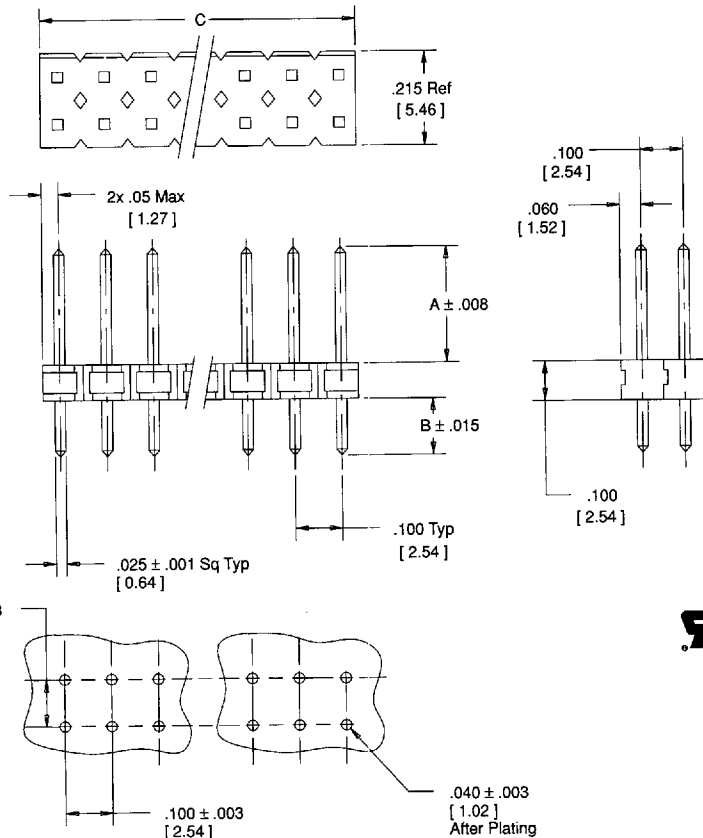
.100" x .100" Pin Strip Header

.235/.318 Mating Length, Straight Solder/Wrap Tails

929 Series

3M Part	Tail Length Code	Mating Length Dim A	Solder Tail Dim B	3M Part	Tail Length Code	Mating Length Dim A	Solder Tail Dim B
929665 or 929636	01	.235 [5.97]	.110 [2.79]	929715 or 929710	01	.318 [8.08]	.110 [2.79]
	09		.145 [3.68]		11		.125 [3.18]
	10		.175 [4.45]		09		.145 [3.68]
	02		.210 [5.33]		10		.175 [4.45]
	08		.310 [7.87]		02		.210 [5.33]
	03		.410 [10.41]		08		.310 [7.87]
	04		.510 [12.95]		03		.410 [10.41]
	05		.610 [15.49]		04		.510 [12.95]
	12		.630 [16.00]		05		.610 [15.49]
	06		.710 [18.03]		06		.710 [18.03]
	07		.910 [23.11]				
11	1.015 [25.78]						

Pin Qty Code	Total Pin Qty	Dim C (Max) See Note 1
01	02	.10 [2.5]
02	04	.20 [5.1]
03	06	.30 [7.6]
04	08	.40 [10.2]
05	10	.50 [12.7]
06	12	.60 [15.2]
07	14	.70 [17.8]
08	16	.80 [20.3]
09	18	.90 [22.9]
10	20	1.00 [25.4]
11	22	1.10 [27.9]
12	24	1.20 [30.5]
13	26	1.30 [33.0]
14	28	1.40 [35.6]
15	30	1.50 [38.1]
16	32	1.60 [40.6]
17	34	1.70 [43.2]
18	36	1.80 [45.7]
19	38	1.90 [48.3]
20	40	2.00 [50.8]
21	42	2.10 [53.3]
22	44	2.20 [55.9]
23	46	2.30 [58.4]
24	48	2.40 [61.0]
25	50	2.50 [63.5]
26	52	2.60 [66.0]
27	54	2.70 [68.6]
28	56	2.80 [71.1]
29	58	2.90 [73.7]
30	60	3.00 [76.2]
31	62	3.10 [78.7]
32	64	3.20 [81.3]
33	66	3.30 [83.8]
34	68	3.40 [86.4]
35	70	3.50 [88.9]
36	72	3.60 [91.4]



Recommended Hole Pattern

- Notes:
- Dimension C is a maximum when the pin strip is cut to length, not when the strip is broken to length.
 - Board pin retention feature available: Change from "929" to "9R9" when ordering.

Inch [mm]			
Tolerance Unless Noted			
	.0	.00	.000
Inch	± .1	± .01	± .005

[] Dimensions for Reference Only

Ordering Information

929XXX-XX-XX-XX

Plating & Mating Length:
Underplate: 50 μ" [1.27 μm]

665 = Gold Plating
Mating Length .235 [5.97]

836 = Tin Lead 100 μ" [2.54 μm]
Mating Length .235 [5.97]

715 = Gold Plating
Mating Length .318 [8.08]

710 = Tin Lead Plating 100 μ" [2.54 μm]
Mating Length .318 [8.08]

Tail Length:
See Table 2

Pin Quantity:
See Table 1

Gold Plating Thickness:
(No entry required for Tin Lead plated product)
1 = 10 μ" [0.25 μm] all over
*30 = 30 μ" [0.78 μm] on mating end

*Not available in -01, -09 tail length codes.

Sheet 2 of 2

TS-0150-07