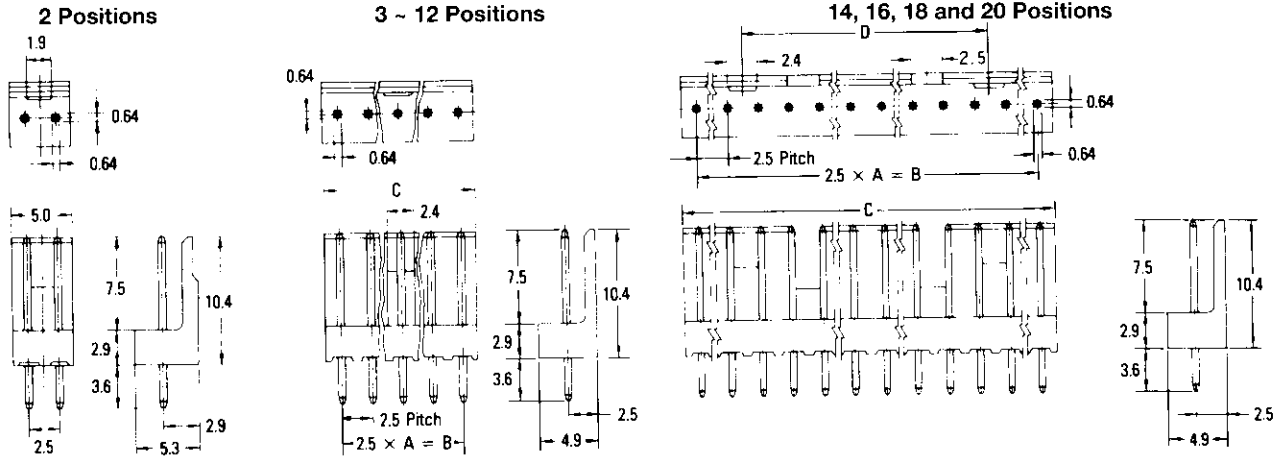
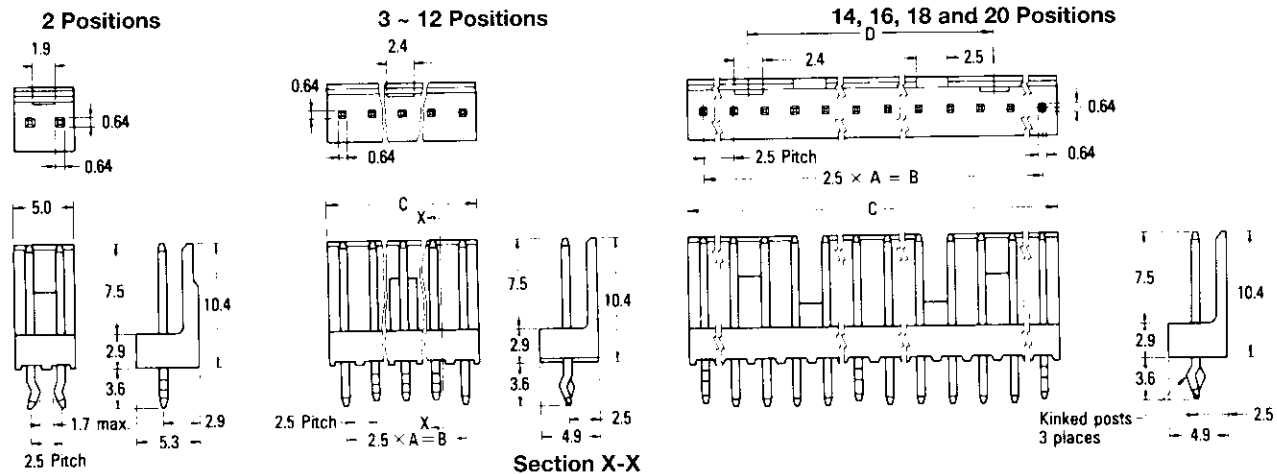


Wire to Board Connectors Mass Termination EI Series Connectors (MTEI)

Vertical Mount Type Post Headers — Without Self-retaining Features Posts

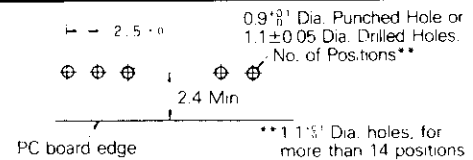


Vertical Mount Type Post Headers — With Self-retaining Feature Posts



Material : Header— 94V-0 rated, 66 Nylon (See chart for colors)
Post— Tin plated brass with copper under-plated
Tin-lead plated brass with copper under-plated (with kink)

Recommended PC Board Layout
Applicable board thickness : 1.6mm



No. of Pos.	Dimensions				Part No. of Vertical Mount Type*			Part No. of Vertical Mount Type (With Self-retaining Feature Posts)				Quantity per case
	A	B	C	D	Natural	Black	Blue	Natural	Black	Blue	Vinyl-chloride Packaging	
2	2.5	5.0	—	—	171825-2	2-171825-2	4-171825-2	172732-2	2-172732-2	4-172732-2	172800-2	15
3	2	5.0	7.5	—	171825-3	2-171825-3	4-171825-3	172732-3	2-172732-3	4-172732-3	172800-3	15
4	3	7.5	10.0	—	171825-4	2-171825-4	4-171825-4	172732-4	2-172732-4	4-172732-4	172800-4	20
5	4	10.0	12.5	—	171825-5	2-171825-5	4-171825-5	172732-5	2-172732-5	4-172732-5	172800-5	20
6	5	12.5	15.0	—	171825-6	2-171825-6	4-171825-6	172732-6	2-172732-6	4-172732-6	172800-6	25
7	6	15.0	17.5	—	171825-7	2-171825-7	4-171825-7	172732-7	2-172732-7	4-172732-7	172800-7	30
8	7	17.5	20.0	—	171825-8	2-171825-8	4-171825-8	172732-8	2-172732-8	4-172732-8	172800-8	35
9	8	20.0	22.5	—	171825-9	2-171825-9	4-171825-9	172732-9	2-172732-9	4-172732-9	172800-9	45
10	9	22.5	25.0	—	1-171825-0	3-171825-0	5-171825-0	1-172732-0	3-172732-0	5-172732-0	1-172800-0	60
12	11	27.5	30.0	—	1-171825-2	3-171825-2	5-171825-2	1-172732-2	3-172732-2	5-172732-2	1-172800-2	90
14	13	32.5	35.0	17.5	1-172057-4	—	—	1-173051-4	—	—	—	—
16	15	37.5	40.0	20.0	1-172057-6	—	—	1-173051-6	—	—	—	—
18	17	42.5	45.0	22.5	1-172057-8	—	—	1-173051-8	—	—	—	—
20	19	47.5	50.0	25.0	2-172057-0	—	—	2-173051-0	—	—	—	—

*Also available in green <P/N with prefix of 6 (for 2 - 9 positions) and prefix of 7 (for 10 & 12 positions)>, and in red <P/N with prefix of 8 (for 2 - 9 positions) and prefix of 9 (for 10 & 12 positions)>.

