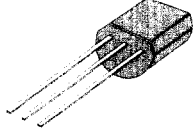
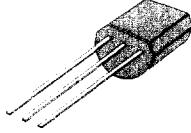
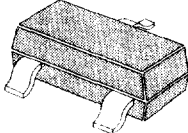


SOT-23/TO-92(SMALL SIGNAL FET) N/P-CHANNEL

Part Number	$V_{DSS}(V)$	$I_{D(on)}(A)$	$R_{DS(on)}(\Omega)$	$R_{\theta ja}(K/W)$	$P_D(Watt)$	Page	Package	Remark
SF5030	500	0.06	300.000	312.50	0.4	***		
2N7000	60	0.20	5.000	312.50	0.4	975		
2N7002	60	0.115	5.000	625.00	0.2	978		NEW

*** : Available on request

TO-92L(logic Level SMALL SIGNAL FET) N/P-CHANNEL

Part Number	$V_{DSS}(V)$	$I_{D(on)}(A)$	$R_{DS(on)}(\Omega)$	$R_{\theta ja}(K/W)$	$P_D(Watt)$	Page	Package	Remark
SF2N06L	60	2.00	0.110	62.50	2	983	