

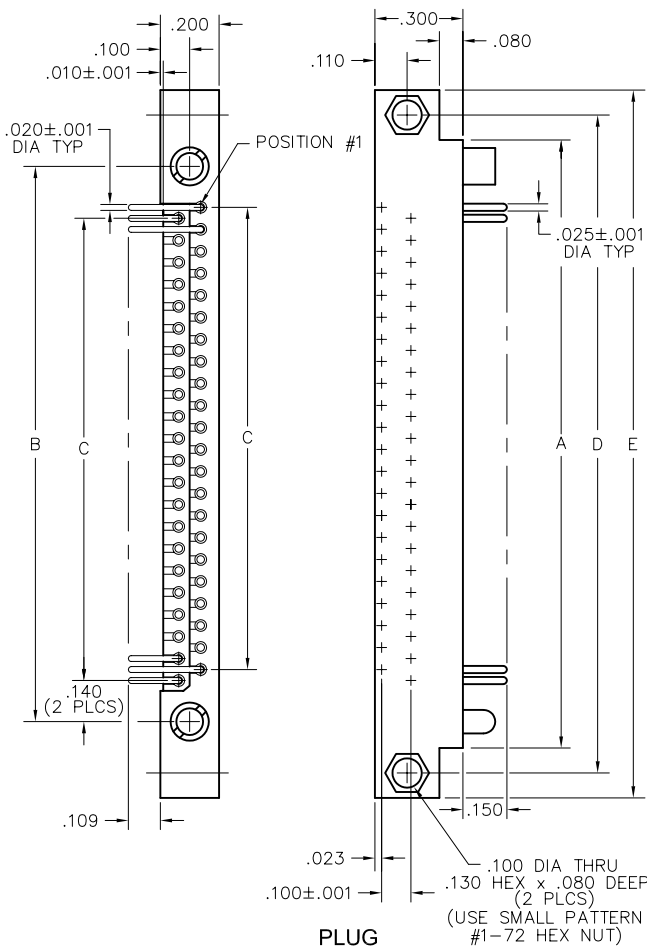
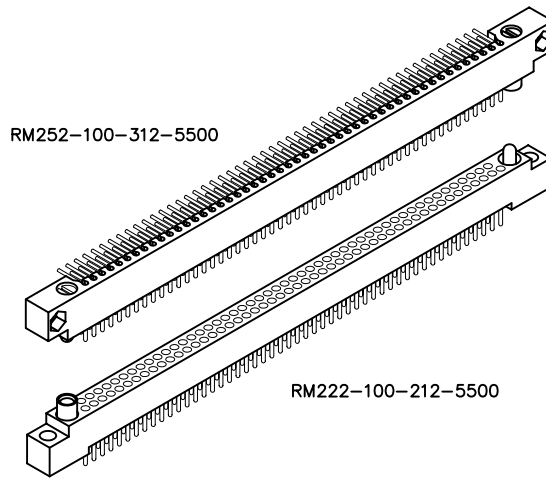


2 · ROW Daughterboard to Motherboard or Chassis

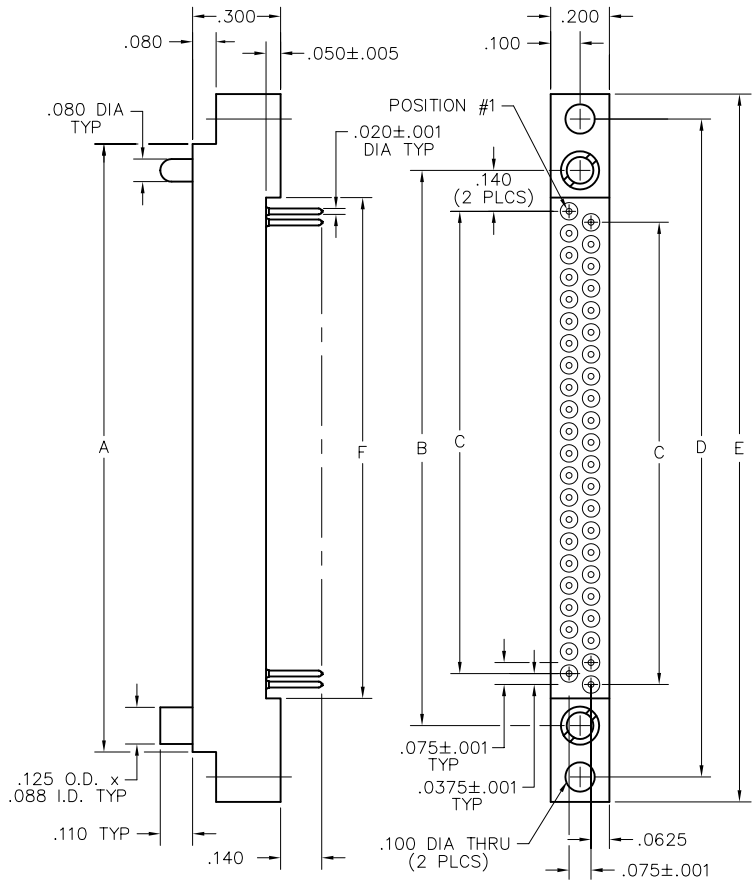
.075"

RM2

10 thru 100 Contacts



PLUG



RECEPTACLE

DIMENSIONS						
SIZE	A	B	C	D	E	F
10	.797	.617	.300	.967	1.137	.432
20	1.172	.992	.675	1.342	1.512	.807
30	1.547	1.367	1.050	1.717	1.887	1.182
40	1.922	1.742	1.425	2.092	2.262	1.557
50	2.297	2.117	1.800	2.467	2.637	1.932
60	2.672	2.492	2.175	2.842	3.012	2.307
70	3.047	2.867	2.550	3.217	3.387	2.682
80	3.422	3.242	2.925	3.592	3.762	3.057
90	3.797	3.617	3.300	3.967	4.137	3.432
100	4.172	3.992	3.675	4.342	4.512	3.807

PLUG: RM252-100-312-5500

RECEPTACLE: RM222-100-212-5500

XXXXX-XXX-XXX-XXXXXX

PLUG

RECEPTACLE

SERIES	
RM .075" Screw Machine PC Connector	RM .075" Screw Machine PC Connector
BODY	
2 2-Row	2 2-Row
BODY STYLE:	BODY STYLE:
5 Plug, right angle, with mounting ears	2 Receptacle, straight with mounting ears
7 Plug, right angle, without mounting ears	4 Receptacle, straight without mounting ears
BODY MATERIAL:	BODY MATERIAL:
2 Polyphenylene sulfide (PPS)	2 Polyphenylene sulfide (PPS)
SIZE	
010, 020, 030, 040, 050, 060, 070, 080, 090, 100	010, 020, 030, 040, 050, 060, 070, 080, 090, 100

CONTACTS	
TYPE CONTACTS/TERMINATIONS:	TYPE CONTACTS/TERMINATIONS:
31 Pin, right angle, dip solder, .109" x .020" dia	20 Socket, straight, dip solder, .109" x .020 dia
32 Pin, right angle, dip solder, .140" x .020" dia	21 Socket, straight, dip solder, .140" x .020 dia
33 Pin, right angle, dip solder, .172" x .020" dia	22 Socket, straight, dip solder, .172" x .020 dia
34 Pin, right angle, dip solder, .109" x .016" dia	24 Socket, straight, solder cup
35 Pin, right angle, dip solder, .140" x .016" dia	25 Socket, straight, flex circuit, .093" x .017 dia
36 Pin, right angle, dip solder, .172" x .016" dia	26 Socket, straight, wire wrap [®] , .500" x .018 square
	27 Socket, straight, wire wrap [®] , .375" x .018 square
	28 Socket, straight, wire wrap [®] , .625" x .018 square
	29 Socket, connector saver, .150" x .025" dia
	50 Socket, straight, dip solder, .140" x .016" dia
	51 Socket, straight, dip solder, .172" x .016" dia
	53 Socket, straight, stackable, .212" x .025" dia
	54 Socket, straight, stackable, .244" x .025" dia
	55 Socket, straight, stackable, .275" x .025" dia
	64 Socket, straight, press fit, .203" (Board .093"- .125" thk)
	65 Socket, straight, press fit, .323" (Board .156"- .200" thk)
	66 Socket, straight, press fit, .403" (Board .250"+ thk)

PLATING OPTIONS:	PLATING OPTIONS:
1 Gold plated termination	1 Gold plated termination
2 Pre-tinned termination	2 Pre-tinned termination (except solder cup, flex, wire wrap [®] or press-fit)

HARDWARE	
STYLE OF HARDWARE: (See R-41 & R-42 for all options)	STYLE OF HARDWARE: (See R-41 & R-42 for all options)
0256 None	0256 None
55 Guide set	55 Guide set
57 Two guide pins	57 Two guide pins
58 Two guide sockets	58 Two guide sockets
29 Fixed jackset	29 Fixed jackset
30 Fixed jackset, reversed	30 Fixed jackset, reversed
19 Two fixed jackscrews	19 Two fixed jackscrews
20 Two fixed jacksockets	20 Two fixed jacksockets
59 Hex turning jackset, .200"	59 Hex turning jackset, .200"
60 Hex turning jackset, reversed, .200"	60 Hex turning jackset, reversed, .200"
61 Two hex turning jackscrews, .200"	61 Two hex turning jackscrews, .200"
62 Two hex turning jacksockets, .200"	62 Two hex turning jacksockets, .200"
64 Turning jackset, .490"	64 Turning jackset, .490"
65 Turning jackset, reversed, .490"	65 Turning jackset, reversed, .490"
66 Two turning jackscrews, .490"	66 Two turning jackscrews, .490"
67 Two turning jacksockets, .490"	67 Two turning jacksockets, .490"

POLARIZATION:	POLARIZATION
00 None	00 None
01 thru 68 are special identifiers, see R-38	01 thru 68 are special identifiers, see R-38
70 Same configuration as 01 without Loctite [®] (To be keyed by customer)	70 Same configuration as 01 without Loctite [®] (To be keyed by customer)

OPTIONS	
BN Bond #1-72 small pattern hex nuts into mounting ears	