

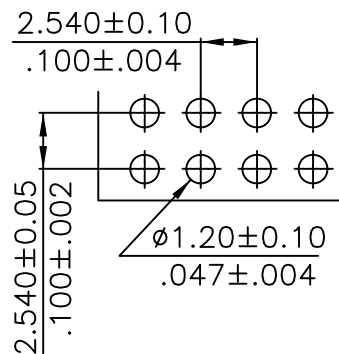
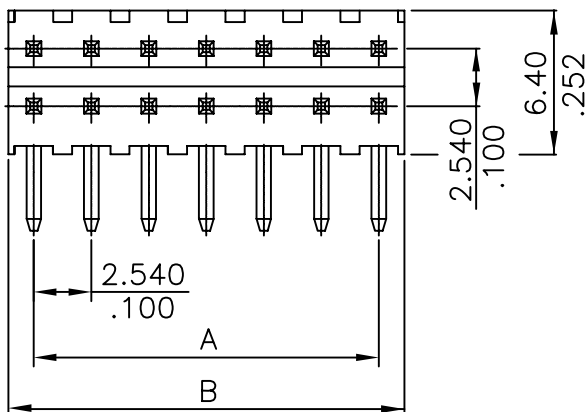
Ordering Information:

2569 P $\frac{**}{1} \frac{*}{2}$ 00W

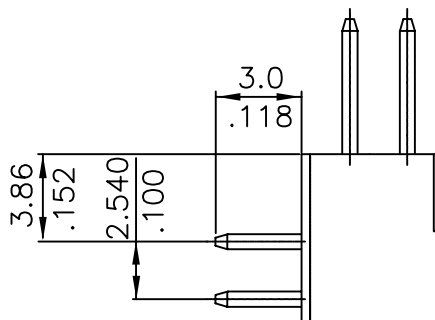
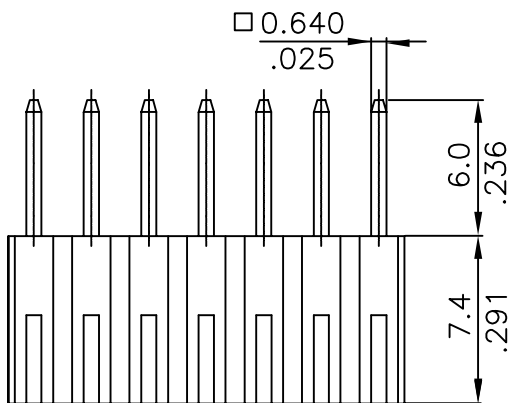
RoHS COMPLIANT

1. Circuits:
2. Plating:
 - T= Tin plated 120 μ " min over 30~50 μ " nickel overall
 - U= Gold flash plated over 30~50 μ " nickel overall
 - W= 15 μ " gold plated over 30~50 μ " nickel overall
 - Z= 30 μ " gold plated over 30~50 μ " nickel overall

Material:
Insulator: PBT UL94V-0
Contact: Brass



Recommended Hole Pattern



A=2.54XNo.of contacts-2.54±0.20
B=2.54XNo.of positions±0.30

				leoco LEOCO CORPORATION		APPROVED:		PART NO.:				
				GENERAL TOLERANCES: (UNLESS SPECIFIED)		DATE:		2569P***00W				
						CHECKED:		TITLE:				
						DATE:		2.54mm(.100") Pitch Dual Row R/A Header				
						DRAWN:		DRAWING NO.:				
						DATE:		256950S				
B	ES071009			1 PLACE	± 0.30	± --		UNITS	SCALE	SIZE	SHEET	REV.
A	DWG REL			2 PLACES	± 0.20	± .012						
REV.	ECO. NO.	CHG.	APP.	3 PLACES	± 0.10	± .008	inch					
				4 PLACES	± --	± .004						
				ANGULAR ± ? 1° ?								