

1 2 3 4 5 6 7 8 9

A

A

B

B

C

C

D

D

E

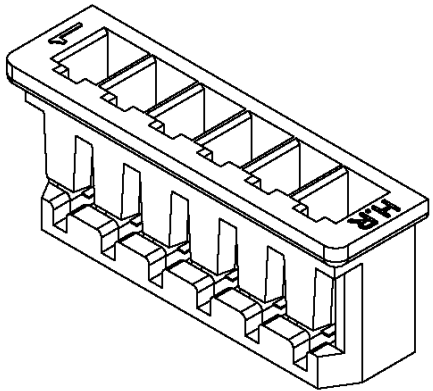
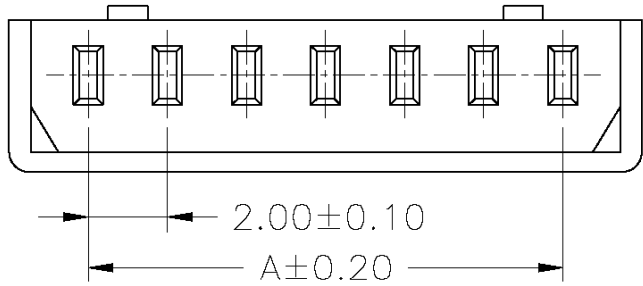
E

F

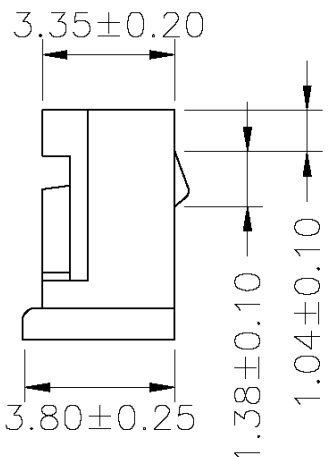
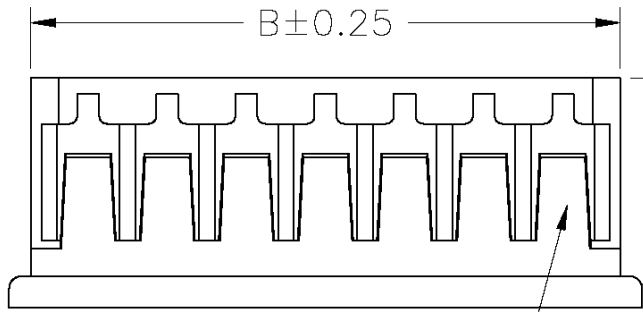
F

G

G



Pos.	A (mm)	B (mm)
02	2.00	4.90
03	4.00	6.90
04	6.00	8.90
05	8.00	10.90
06	10.00	12.90
07	12.00	14.90
08	14.00	16.90
09	16.00	18.90
10	18.00	20.90
11	20.00	22.90
12	22.00	24.90
13	24.00	26.90
14	26.00	28.90
15	28.00	30.90



Circuit 1

RoHS compliant

Rev.	Description	Date	Approved	Drawing	Name	Date
				Approved	Howard	8/10/99
				Checked	Lizzy	8/10/99
				Drawn	Tina	8/10/99
				0.0 ± 0.35	0.00 ± 0.20	Angles ± 3°
				UNIT: mm		

Central Components Manufacturing
 440 Lincoln Blvd., Middlesex, New Jersey 08846
 Phone 732 469-5720 888 288-5152 Fax 732 469-1919

Part No.: **JS-J-2002H-XX**

Description: 2.00 mm crimp housing

1 2 3 4 5 6 7 8 9