

Subminiature D Connectors with Capacitive Filters 9 Position (Continued)

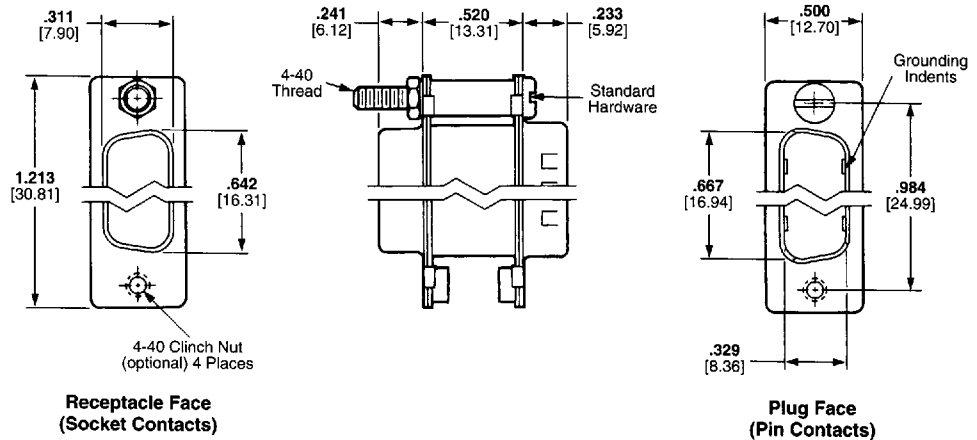
Material and Finish:

Shell—Steel, tin plated
Insert—Thermoplastic, UL rated 94V0
Contact—One piece phosphor bronze, plated .000015 (0.00038) min. gold in contact area
Filter Sleeve—Ceramic

Related Product Data:

Panel Mounting/Mating—page 28
Accessories—pages 30-32
Electrical Specifications—page 8

Plug-Receptacle Adapter



Connector Dimensions

Number of Positions (Shell Size)	Connector Config.	L Max. (Straight pins)		W Max. (Right Angle)	D Max. (Solder Cup)	
		CC & CE Types	CA, CF & CD Types	All Types	CC & CE Types	CA, CF & CD Types
9 (1)	Plug	.640 16.26	.785 19.94	1.015 25.78	.680 17.27	.825 20.96
	Receptacle	.645 16.38	.790 20.07	1.020 25.91	.685 17.40	.830 21.08

Part Numbers

Filter Type	Mounting Style	Plug Assemblies with Pin Contacts			Receptacle Assemblies with Socket Contacts			Plug-Receptacle Adapters
		Termination Type			Termination Type			
		Right-Angle Posted .040 [1.02] Dia.	Straight Posted .040 [1.02] Dia.	Solder Cup	Right-Angle Posted .040 [1.02] Dia.	Straight Posted .040 [1.02] Dia.	Solder Cup	
CA	.122 [3.10] Dia. Mounting Hole	842946-1	842938-1	93768-1	842950-1	842942-1	93772-1	842954-1
	4-40 Clinch Nut	842946-2	842938-2	93768-6	842950-2	842942-2	93772-6	842954-2
CC	.122 [3.10] Dia. Mounting Hole	842674-3	842666-3	93768-2	842678-3	842670-3	93772-2	842737-3
	4-40 Clinch Nut	842674-4	842666-4	93768-7	842678-4	842670-4	93772-7	842737-4
CD	.122 [3.10] Dia. Mounting Hole	842646-3	842638-3	93768-3	842650-3	842642-3	93772-3	842697-3
	4-40 Clinch Nut	842646-4	842638-4	93768-8	842650-4	842642-4	93772-8	842697-4
CE	.122 [3.10] Dia. Mounting Hole	842618-3	842610-3	93768-4	842622-3	842614-3	93772-4	842739-3
	4-40 Clinch Nut	842618-4	842610-4	93768-9	842622-4	842614-4	93772-9	842739-4
CF	.122 [3.10] Dia. Mounting Hole	842590-3	842582-3	93768-5	842594-3	842586-3	93772-5	842738-3
	4-40 Clinch Nut	842590-4	842582-4	1-93768-0	842594-4	842586-4	1-93772-0	842738-4

For drawings, technical data or samples, contact your AMP sales engineer or call the AMP Product Information Center: 1-800-522-6752. Dimensions are in inches and millimeters unless specified otherwise. Values in brackets are metric equivalents. Specifications subject to change. Consult AMP Incorporated for latest specifications.

Subminiature D Connectors with Capacitive Filters 9 Position

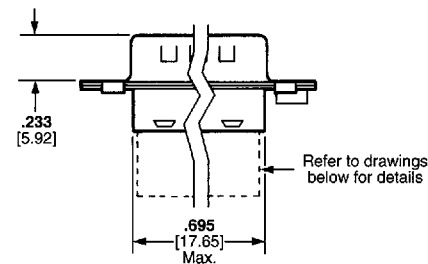
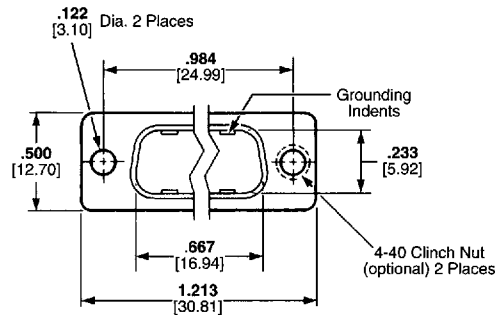
Material and Finish:

Shell—Steel, tin plated
Insert—Thermoplastic, UL rated 94V0
Contact—Pin-brass, Socket-phosphor bronze, plated .000015 [0.00038] min. gold in contact area, plated tin/lead on termination end
Filter Sleeve—Ceramic

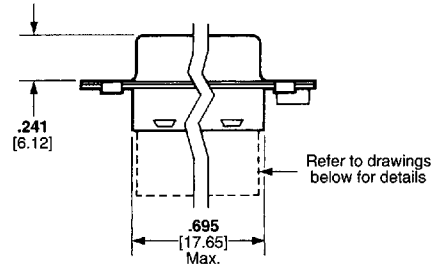
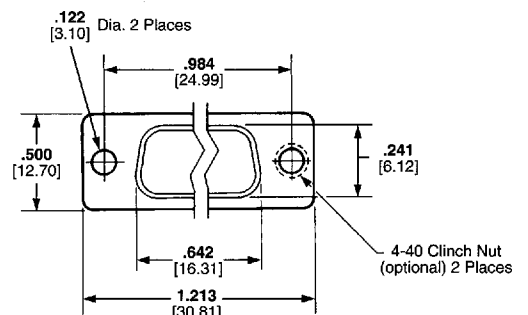
Related Product Data:

Panel Mounting/Mating—
page 28
PC Board Mounting—
page 29
Accessories—pages 30-32
Electrical Specifications—
page 8

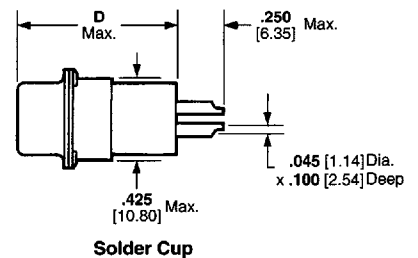
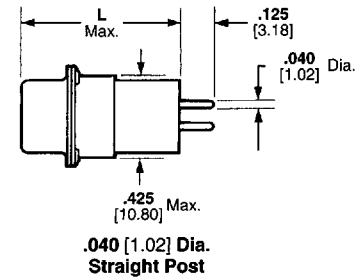
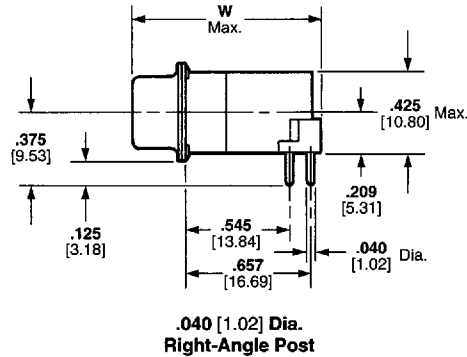
Plug Assemblies (Pin Contacts)



Receptacle Assemblies (Socket Contacts)

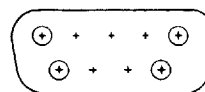


Termination Type



Insert Arrangements

Note: Mating faces of plug assemblies are shown, receptacle assemblies are mirror images.



9 Position

Filters for Commercial Application (Continued)

Distributed Element Filters (Continued)

Electrical Specifications:

Current Rating (Max.):

Load Current (in connector)
#20 Contact—7.5 amps
(Loose-piece filters—15 amps)
RF Current—0.3 amps

Operating Voltage (Max.):

100 VDC at -25°C to +85°C

Dissipation Factor: 0.1 Max.

Dielectric Withstanding Voltage:
250 VDC for 5 seconds

*Insulation Resistance (Min.):

500 Megohms, minimum at 100 VDC,
2 minutes and +25°C

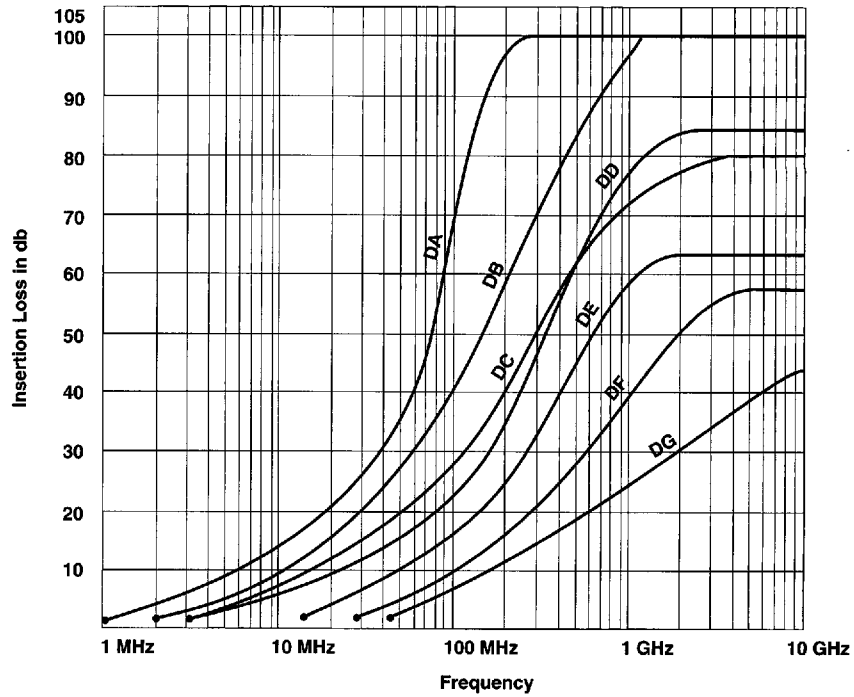
Direct Current Resistance:

.002 ohms Max.

*DF and DG Types—

1 Gigaohm min.

Typical Insertion Loss vs. Frequency Comparison (No Load @ 25°C)



Minimum No Load Insertion Loss

Filter Type	AMP Electrical Specification Number	Capacitance Range	3 db Point	Min. No Load Insertion Loss in db (Per MIL-STD-220 at +25°C)							
				25 MHz	50 MHz	100 MHz	300 MHz	500 MHz	1 GHz	5 GHz	10 GHz
DA	108-1116	3000 pf to 8000 pf	2 MHz	20	30	50	90	100	100	100	100
DB	108-1117	2000 pf to 5000 pf	3 MHz	15	20	30	65	80	90	90	90
DC	108-1118	1000 pf to 3000 pf	7 MHz	10	15	20	40	50	55	55	55
DD	108-1128	600 pf to 1000 pf	20 MHz	—	10	20	40	50	60	60	60
DE	108-1131	300 pf to 600 pf	30 MHz	—	8	12	25	35	45	45	45
DF	108-1124	130 pf to 400 pf	50 MHz	—	—	—	—	25	35	55	55
DG	108-1122	50 pf to 175 pf	150 MHz	—	—	—	—	—	16	35	42

Filtered AMPLIMITE Subminiature D Connectors for Commercial Application

Technical Documents

Various technical documents are available for your use:

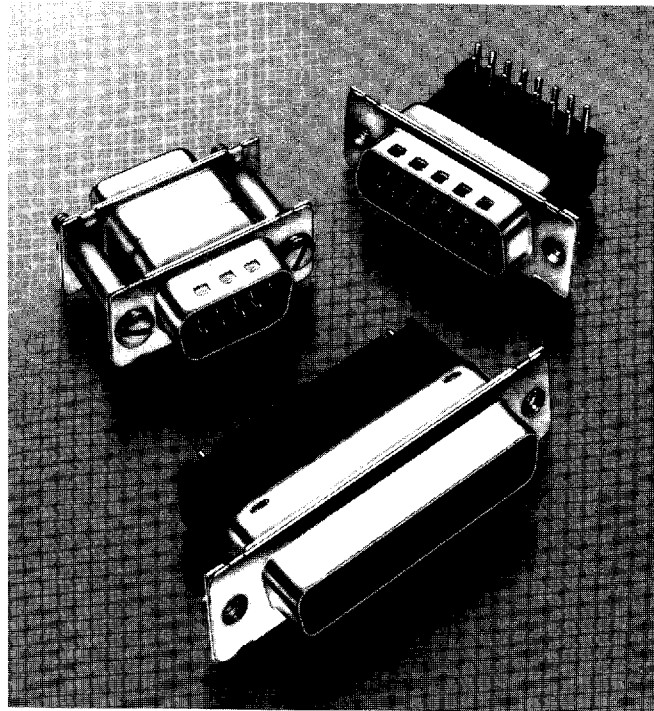
Product Specifications

Describe technical performance, characteristics and verification tests. They are intended for the Design, Component and Quality Engineer.
 108-36025 Connector, AMPLIMITE Filtered, High Density 20

■ **Recognized under the Component Program of Underwriters Laboratories Inc.**
 File No. E28476



■ **Certified by Canadian Standards Association,**
 File No. LR 16455



AMPLIMITE Subminiature D Connectors are versatile and widely used connectors. AMP has designed and built into these connectors a proven, rugged and inexpensive filter that eliminates the problem of conducted electromagnetic interference (EMI). These connectors also conform to FCC regulations which may require the use of filtering to limit EMI in computing devices.

High Performance Subminiature D connectors are offered with two types of filters—distributed element and capacitive. They are provided with a variety of termination choices such as solder cup, straight post

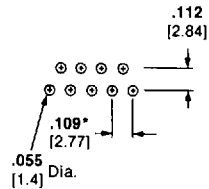
and right angle post. Various types of accessories are available to meet the needs of many applications.

AMP also produces an extensive line of unfiltered AMPLIMITE Subminiature D Connectors that mate with the Quiet Line filtered Connectors. These connectors are available with a choice of termination styles such as crimp snap-in contacts, posted contacts, insulation displacement contacts and contacts to terminate round conductor flat ribbon cable. For more information on these connectors request Catalog No. 82068.

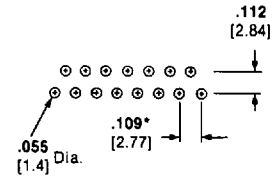
Subminiature D Connector PC Board Mounting Specifications

PC Board Mounting for the following type connectors:

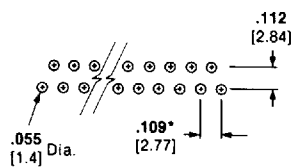
- .040 [1.02] Dia. Right Angle Posted
- .040 [1.02] Dia. Straight Posted



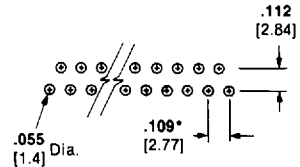
**9 Positions
(Shell Size 1)**



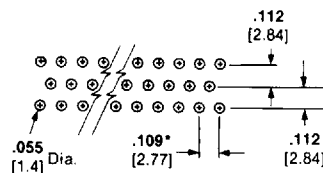
**15 Positions
(Shell Size 2)**



**25 Positions
(Shell Size 3)**



**37 Positions
(Shell Size 4)**



**50 Positions
(Shell Size 5)**

For drawings, technical data or samples, contact your AMP sales engineer or call the AMP Product Information Center: 1-800-522-6752. Dimensions are in inches and millimeters unless specified otherwise. Values in brackets are metric equivalents. Specifications subject to change. Consult AMP Incorporated for latest specifications.