

2.0mm (0.079") Shrouded Header

(Double Row)

1232 Series

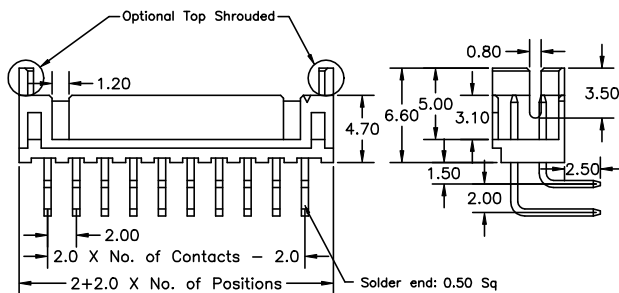
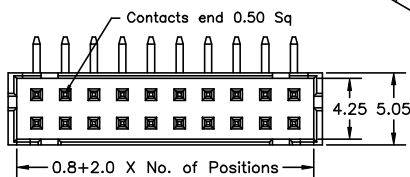
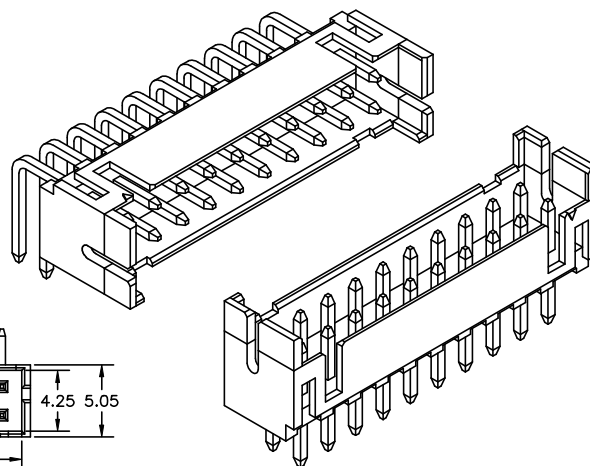
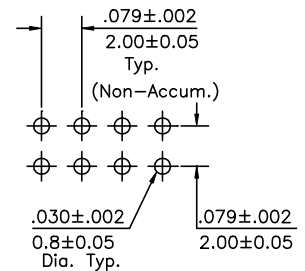
APPLICATION AND FEATURES

- Standoffs facilitate post soldering clean.
- Mate with 2.0mm pitch P.C.Board Female Connector and shunt connector.

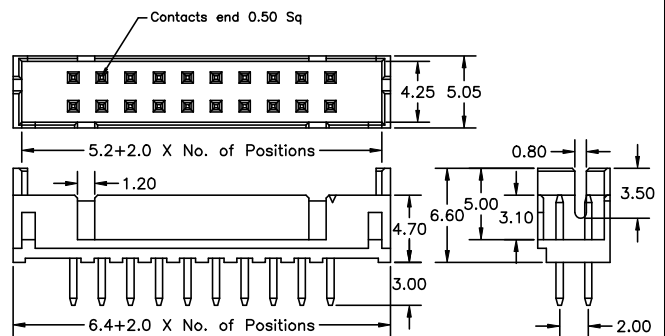
SPECIFICATIONS

Current Rating: 1 Amp
 Insulator resistance: 5000 Megohms min.
 Dielectric withstanding: AC 500 V
 Operating Temperature: -40° to +105°C
 Contact Material: Phosphor bronze
 Insulator Material: Polyester, UL 94V-0
 ©Standard: Nylon-6T

Recommended P.C.Board
Hole Layout



A:Connector Type



B:Cable Type

Order Information 1232 Series

Example: 1232 - A - 20 - S - 02 - 1 - 0:W/O Optional Top Shrouded
1:W Optional Top Shrouded

Series No.	Strip Type	Number of Contacts	Connector Type	Contact Plating
1232	Connector (Type) A	08 to 60 Contacts	Straight S	Tin Plated 01
	Cable (Type) B		Right Angle R	Gold Plated
				Flash 02
				10 μ" 10
				30 μ" 30