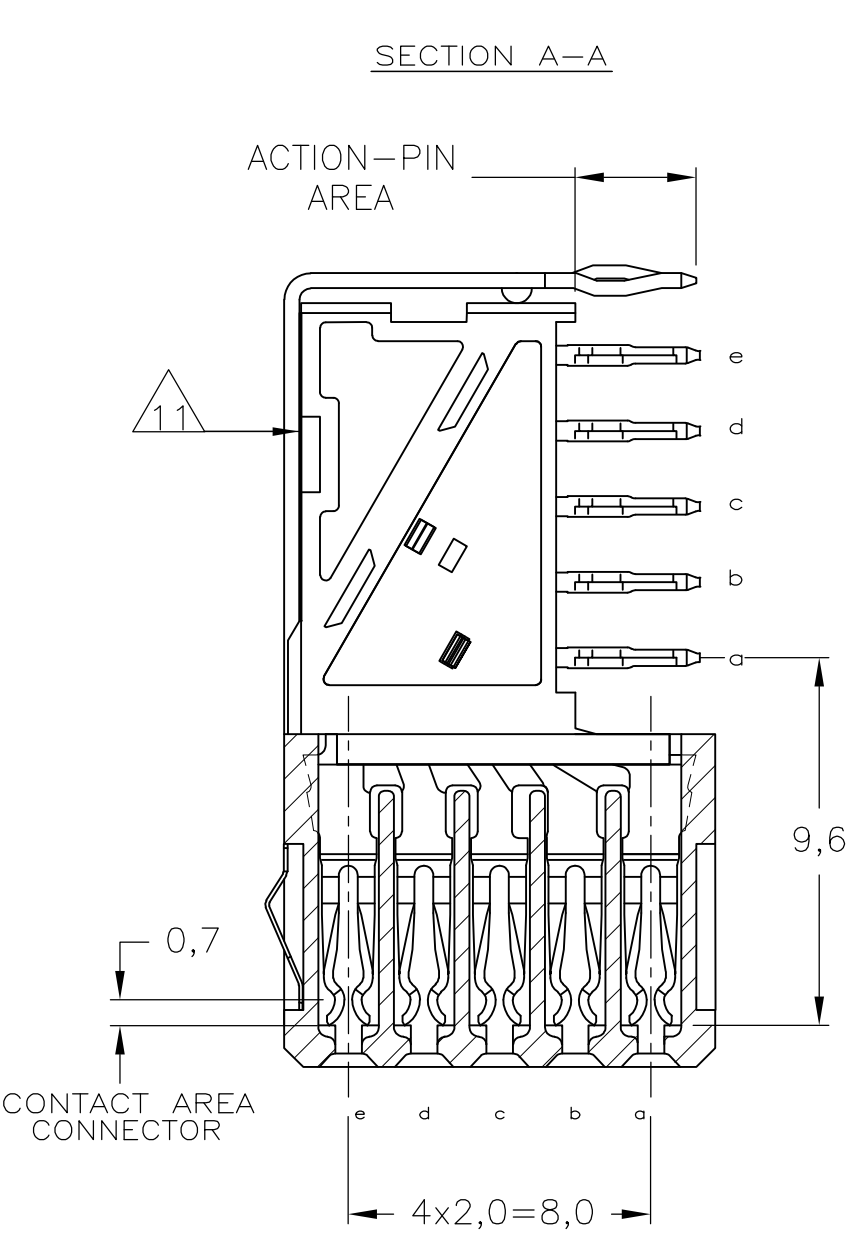
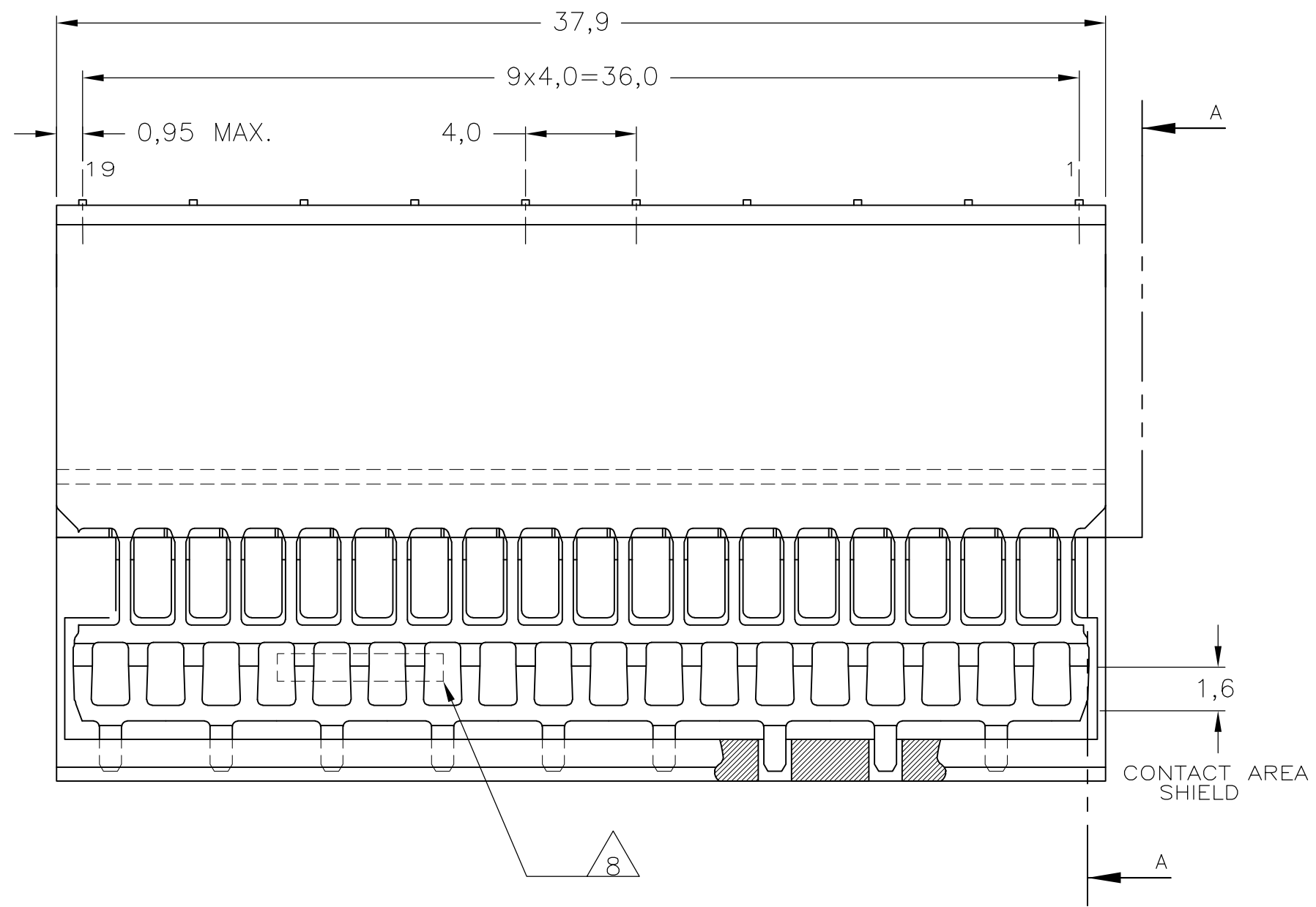
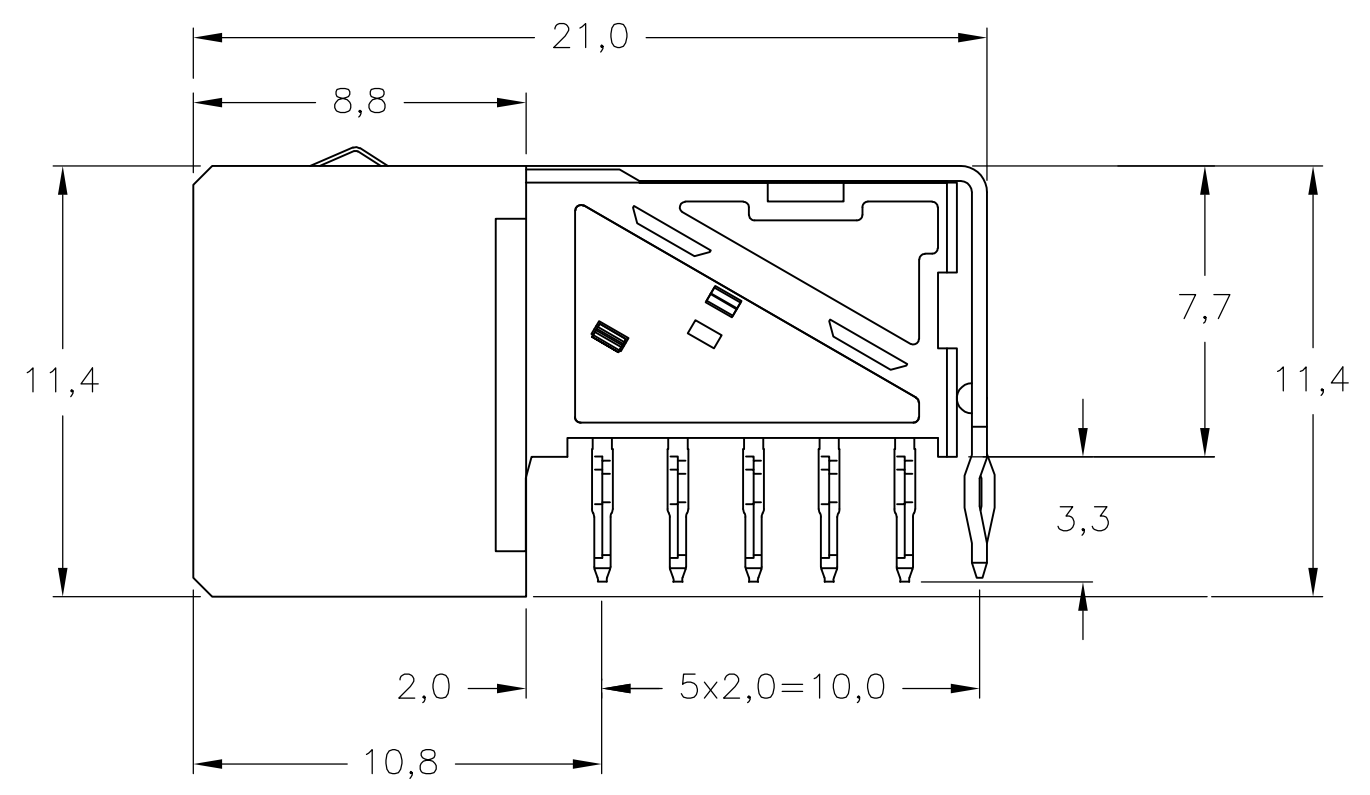
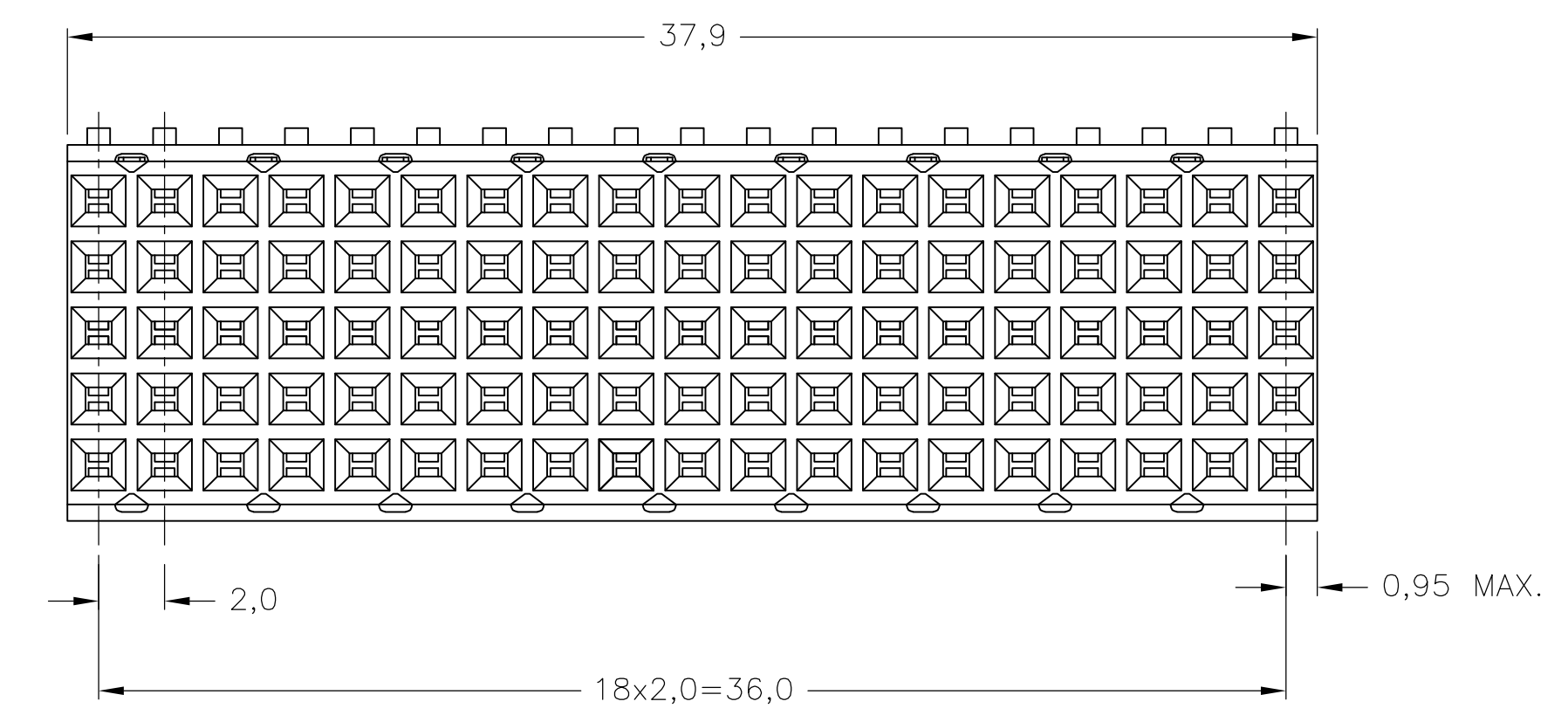


THIS DRAWING IS UNPUBLISHED. RELEASED FOR PUBLICATION  
 © COPYRIGHT - By - ALL RIGHTS RESERVED.

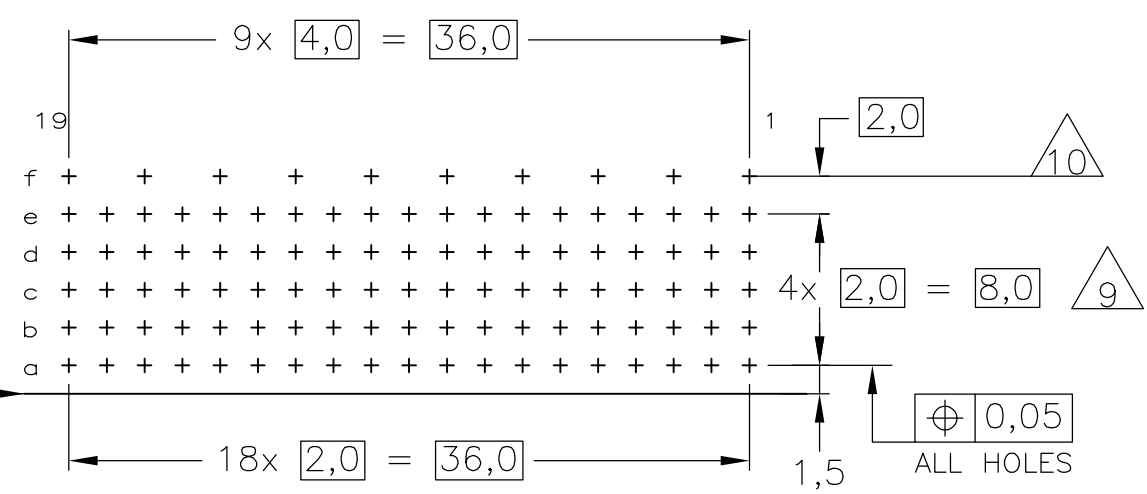
LOC		DIST		REVISIONS					
H		-		P	LTR	DESCRIPTION	DATE	DWN	APVD
				B2		REVISED PER ECO-11-005033	06APR11	RK	HMR



- NOTES:
- △ MATERIAL CONTACTS; PHOSPHORBRONZE
  - △ MATERIAL HOUSING; GLASSFILLED POLYESTER (GRAY)
  - △ GENERAL PLATING SPECIFICATION: UNDERPLATING (ENTIRE CONTACT): 1,27µm NICKEL MIN. AND ACTION PIN: 0,5µm TIN MIN. FOR PLATING OF MATING SURFACES SEE APPLICABLE SPECIFICATION REFERENCE FOR EACH DASH NUMBER.
  - △ CONFORMS TO ALL TESTING ACCORDING IEC 61076-4-101 PERFORMANCE LEVEL 2.
  - △ CONFORMS TO ALL TESTING ACCORDING IEC 61076-4-101 PERFORMANCE LEVEL 1.
  - △ CONNECTOR TESTED AND QUALIFIED AGAINST TELCORDIA GR-1217-CORE QUALITY LEVEL III, CENTRAL OFFICE APPLICATIONS.
  - △ CONNECTOR LUBRICATED WITH TELCORDIA GR-1217-CORE APPROVED LUBRICANT.
  - △ PLATING SHIELD:  
CONTACT AREA: 0,76µm Au MIN.  
ACTION PIN : 0,5µm Sn MIN.  
REMAINDER : Ni
  - △ ASSEMBLY PRINTED WITH P/N AND DATECODE
  - △ THE MARKING CAN APPEAR ON THE FRONT SIDE OR BACK SIDE.
  - △ HOLE PATTERN FOR FEMALE CONNECTOR TYPE B-19 COLUMNS  
95 PLATED-THROUGH HOLES AT 2x2mm SQUARE GRID
  - △ ROW "r" 10 PLATED THROUGH HOLES FOR UPERSHIELD
  - △ SHIELD MOUNTED ON CONNECTOR WITH DOUBLE SIDED ADHESIVE TAPE OR ADHESIVE
  - 12 BASIC P.N. LOWERSHIELD : 5352029.



COMPONENT SIDE AS SHOWN  
 RECOMMENDED PCB-HOLE LAY-OUT  
 SCALE 2,5:1



P.C.B. HOLE DIM. ACTION PIN  
 FOR DETAILS SEE  
 APPLICATION SPECIFICATION

EDGE OF P.C.BOARD

△ 2 5 6 △	△	5352171-9
△ 2 4 △	△	5352171-4
△ 2 3 △	△	5352171-1
FINISH	MATERIAL	PARTNUMBER

THIS DRAWING IS A CONTROLLED DOCUMENT.		DWN K.N.KIRAN 21AUG2004	TE Connectivity	
DIMENSIONS: mm		CHK B.MOOIJ 27OCT2004	NAME	
TOLERANCES UNLESS OTHERWISE SPECIFIED:		APVD B.MOOIJ 27OCT2004	Z-PACK 2mm HM	
0 PLC ± -		PRODUCT SPEC	TYPE B - 19 COLUMNS	
1 PLC ± -		APPLICATION SPEC	PRE-SHIELDED RECEPTACLE	
2 PLC ± -		108-19082	SIZE	CAGE CODE
3 PLC ± -		114-19029	A2	00779
4 PLC ± -		WEIGHT	DRAWING NO	
ANGLES ± -		-	C=5352171	
FINISH		CUSTOMER DRAWING	SCALE	SHEET
			5:1	1 of 1
			REV	B2