

D-SUB ~ STRAIGHT PCB MOUNT

DNP SERIES

MATERIAL

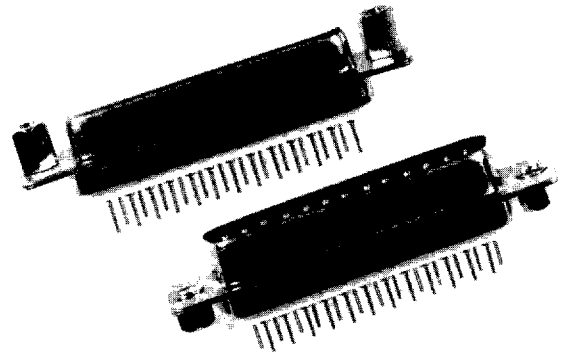
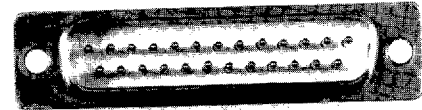
Insulator: Two Pieces White PBT
 Contact: Copper Alloy
 Contact Plating: Gold Over Nickel (see "Plating Option" below)
 Shell: Steel, with Yellow Chromate or Tin Plating

SPECIFICATIONS

Current Rating: 5A
 Insulator Resistance: 1000 MΩ
 Contact Resistance: 20 mΩ Max
 Voltage Rating: 500V AC for one minute
 Operating Temperature: -55°C - +105°C

FEATURES

- ◆ PCB mounting connector
- ◆ Will mate to industrial standard "D" subminiature connectors
- ◆ Can be directly installed over the PCB trace pattern with no shorting
- ◆ Shielding system helps to reduce EMI/RFI emissions from other electronic equipments
- ◆ Special hardware options available (see "Hardware Option" below)
- ◆ With straight PCB mount contacts
- ◆ **Mating Series:** DN, DNS, DNP, DNC, DNR, DNRI, DNRL, DNPD, DNF



HOW TO ORDER:



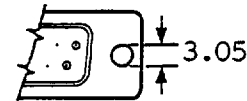
1. **SERIES**
 DNP = D-Sub, Straight PCB Mount

2. **POSITION**
 09 = 9 Position
 15 = 15 Position
 25 = 25 Position
 37 = 37 Position
 50 = 50 Position

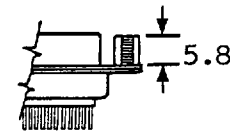
3. **GENDER**
 P = Plug (Male)
 S = Socket (Female)

4. **SHELL PLATING**
 Y = Yellow Chromate
 T = Tin

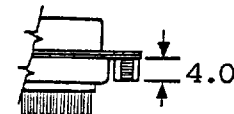
5. **HARDWARE OPTION**
 SH = 3.05mm Standard Mounting Holes



CC = 5.8mm Clinch Nut (4-40) on Contact Side



CS = 4.0mm Clinch Nut (4-40) on Solder Side

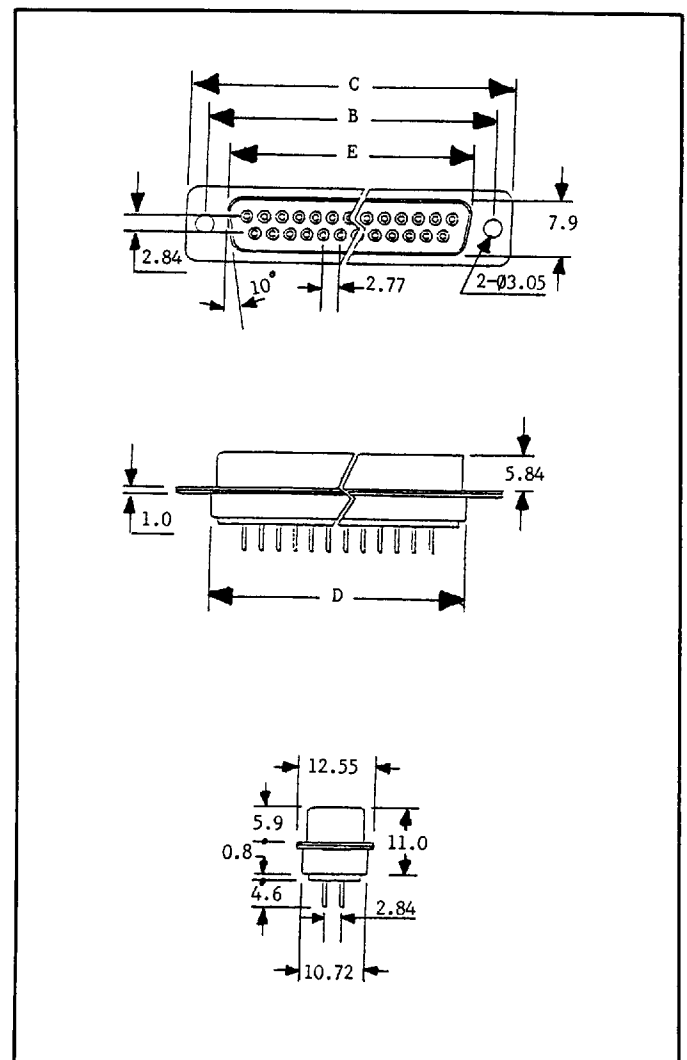
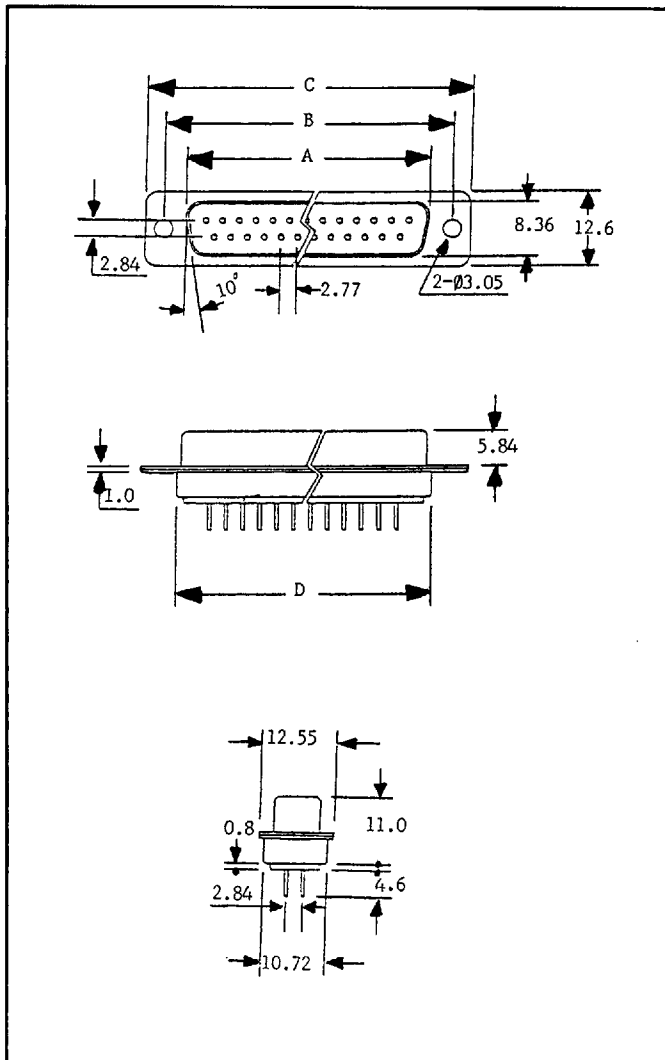


6. **PLATING OPTION**
 G = Full Gold Flash
 SG = Selective Gold Flash

SPECIFICATIONS:

MALE

FEMALE



DIMENSIONS:

POSITION	A	B	C	D	E
9	16.92	24.99	30.81	19.28	16.33
15	25.25	33.62	39.14	27.51	24.66
25	38.96	47.04	53.04	41.30	38.38
37	55.42	63.50	69.32	57.71	54.84
50	52.86	61.11	66.90	55.30	52.34