

2mm PROGRAMMING JUMPERS

FEATURES

- Mates with 0,50mm (.020") square or round posts on 2mm centers
- Side and end stackable
- Dual wipe contact design
- Reliable, cost effective alternative to switches
- Both closed and open top available

STANDARD PART DIMENSIONS

INSULATOR BODY		Open Top	Closed Top
W	WIDTH	3,95mm/0.156"	3,95mm/0.156"
H	HEIGHT	3,5mm/0.138"	5,0mm/0.195"
D	DEPTH	1,95mm/0.077"	1,95mm/0.077"

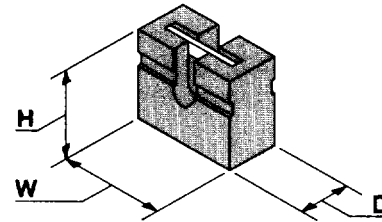
INSERTION DEPTH

	Open Top	Closed Top
Minimum	3,0mm/0.115"	3,76mm/0.148"
Maximum	N/A	4,5mm/0.177"

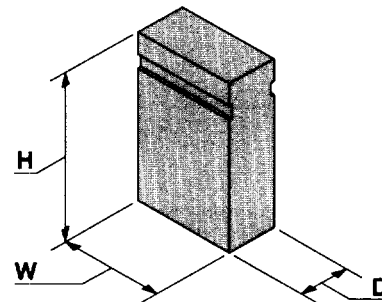
MATERIALS

INSULATOR BODY	Glass Filled Polyester (UL94V-0)
CONTACT	Phosphor Bronze

OPEN TOP



CLOSED TOP



Specifications and Performance Data: Page 105



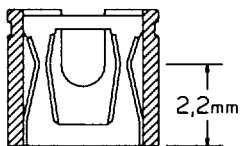
4700 Smith Road • Cincinnati, Ohio 45212 • (513) 631-4700 • Fax # (513) 631-5700
1-800-676-7644

HOW TO ORDER CRANE'S JNM SERIES

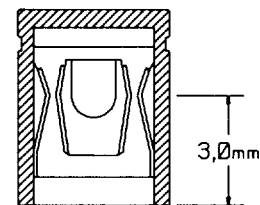
STANDARD PART NUMBER

				-			
	↑						
PRODUCT SERIES	JNM						
		↑					
TOTAL NUMBER OF POSITIONS	POSITIONS	02					
			↑				
NUMBER OF ROWS	SINGLE		S				
				↑			
TYPE OF JUMPER	STRAIGHT			S			
					↑		
CONTACT PLATING (See Page 106)	CHOOSE G, T, OR H, F						
	NOTE: Some platings may be subject to minimums.						
						↑	↑
BODY TYPE	CLOSED TOP					C	B
	OPEN TOP					O	B

OPEN TOP



CLOSED TOP



Distance to Contact Point

Note: Standard insulator color is black.

Sample Hotline: 1-800-676-7644

Crane Connectors • 4700 Smith Road • Cincinnati, Ohio 45212

