



### 3.3V CMOS 16-BIT BUFFER/ DRIVER WITH 3-STATE OUTPUTS, 5 VOLT TOLERANT I/O AND BUS-HOLD

**IDT74LVCH16541A**

#### FEATURES:

- Typical  $t_{SK(O)}$  (Output Skew) < 250ps
- ESD > 2000V per MIL-STD-883, Method 3015; > 200V using machine model (C = 200pF, R = 0)
- $V_{CC} = 3.3V \pm 0.3V$ , Normal Range
- $V_{CC} = 2.7V$  to  $3.6V$ , Extended Range
- CMOS power levels ( $0.4\mu W$  typ. static)
- All inputs, outputs, and I/O are 5V tolerant
- Supports hot insertion
- Available in SSOP, TSSOP, and TVSOP packages

#### DRIVE FEATURES:

- High Output Drivers:  $\pm 24mA$
- Reduced system switching noise

#### APPLICATIONS:

- 5V and 3.3V mixed voltage systems
- Data communication and telecommunication systems

#### DESCRIPTION

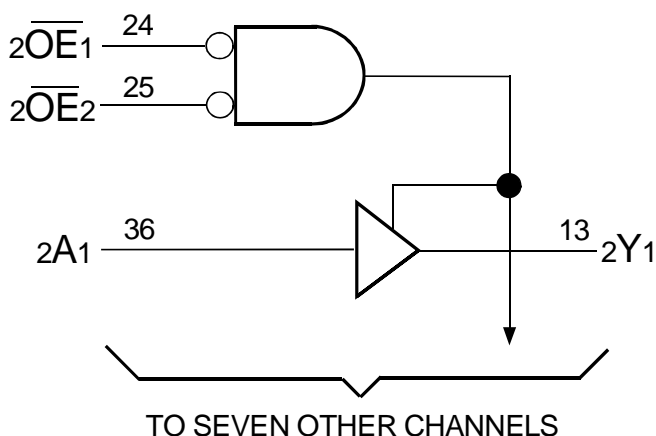
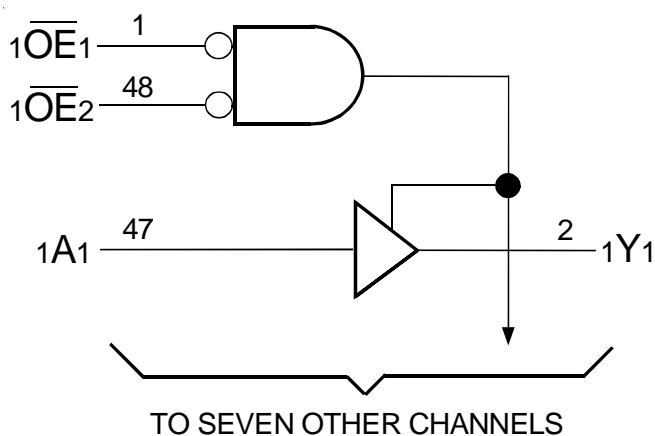
This 16-bit buffer/driver is built using advanced dual metal CMOS technology. This high-speed, low power device is a noninverting 16-bit buffer composed of two 8-bit sections with separate output-enable signals. For either 8-bit buffer section, the two output-enable ( $1\overline{OE}1$  and  $1\overline{OE}2$  or  $2\overline{OE}1$  and  $2\overline{OE}2$ ) inputs must be low for the corresponding Y outputs to be active. If either output-enable input is high, the outputs of that 8-bit buffer section are in the high-impedance state.

All pins of this 16-bit buffer/driver can be driven from either 3.3V or 5V devices. This feature allows the use of this device as a translator in a mixed 3.3V/5V supply system.

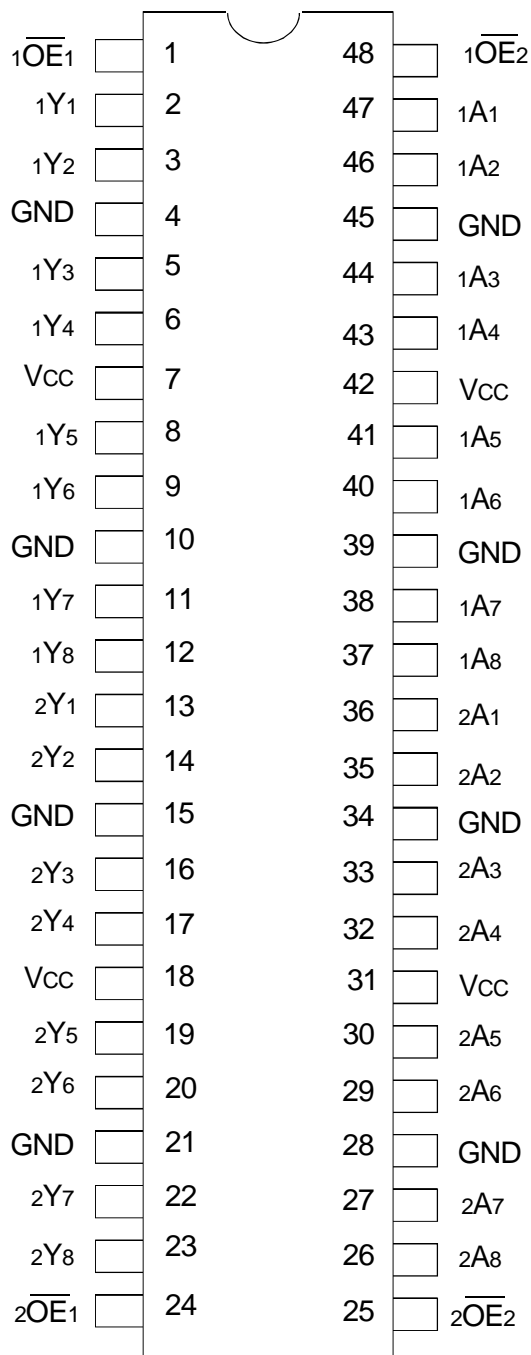
The LVCH16541A has been designed with a  $\pm 24mA$  output driver. The driver is capable of driving a moderate to heavy load while maintaining speed performance.

The LVCH16541A has "bus-hold" which retains the inputs' last state whenever the input goes to a high impedance. This prevents floating inputs and eliminates the need for pull-up/down resistors.

#### FUNCTIONAL BLOCK DIAGRAM



## PIN CONFIGURATION



SSOP/ TSSOP/ TVSOP  
TOP VIEW

## ABSOLUTE MAXIMUM RATINGS<sup>(1)</sup>

| Symbol                             | Description   | Max          | Unit |
|------------------------------------|---|--------------|------|
| VTERM                              | Terminal Voltage with Respect to GND                                  | -0.5 to +6.5 | V    |
| TSTG                               | Storage Temperature   | -65 to +150  | °C   |
| I <sub>OUT</sub>                   | DC Output Current   | -50 to +50   | mA   |
| I <sub>IK</sub><br>I <sub>OK</sub> | Continuous Clamp Current,<br>V <sub>I</sub> < 0 or V <sub>O</sub> < 0 | -50          | mA   |
| I <sub>CC</sub><br>I <sub>SS</sub> | Continuous Current through each<br>V <sub>CC</sub> or GND             | ±100         | mA   |

### NOTE:

1. Stresses greater than those listed under ABSOLUTE MAXIMUM RATINGS may cause permanent damage to the device. This is a stress rating only and functional operation of the device at these or any other conditions above those indicated in the operational sections of this specification is not implied. Exposure to absolute maximum rating conditions for extended periods may affect reliability.

## CAPACITANCE (T<sub>A</sub> = +25°C, F = 1.0MHz)

| Symbol           | Parameter <sup>(1)</sup> | Conditions            | Typ. | Max. | Unit |
|------------------|--------------------------|-----------------------|------|------|------|
| C <sub>IN</sub>  | Input Capacitance        | V <sub>IN</sub> = 0V  | 4.5  | 6    | pF   |
| C <sub>OUT</sub> | Output Capacitance       | V <sub>OUT</sub> = 0V | 6.5  | 8    | pF   |
| C <sub>I/O</sub> | I/O Port Capacitance     | V <sub>IN</sub> = 0V  | 6.5  | 8    | pF   |

### NOTE:

1. As applicable to the device type.

## PIN DESCRIPTION

| Pin Names           | Description                               |
|---------------------|---|
| x $\overline{OE}$ x | 3-State Output Enable Inputs (Active LOW) |
| xAx                 | Data Inputs <sup>(1)</sup>                |
| xYx                 | 3-State Outputs                           |

### NOTE:

1. These pins have "Bus-Hold". All other pins are standard inputs, outputs, or I/Os.

## FUNCTION TABLE (EACH 8-BIT SECTION)<sup>(1)</sup>

| Inputs              |                     |     | Outputs |
|---------------------|---------------------|-----|---------|
| x $\overline{OE}$ 1 | x $\overline{OE}$ 2 | xAx | xYx     |
| L                   | L                   | L   | L       |
| L                   | L                   | H   | H       |
| H                   | X                   | X   | Z       |
| X                   | H                   | X   | Z       |

### NOTE:

1. H = HIGH Voltage Level  
X = Don't Care  
L = LOW Voltage Level  
Z = High-Impedance

## DC ELECTRICAL CHARACTERISTICS OVER OPERATING RANGE

Following Conditions Apply Unless Otherwise Specified:

Operating Condition:  $T_A = -40^{\circ}\text{C}$  to  $+85^{\circ}\text{C}$

| Symbol   | Parameter  | Test Conditions   |   | Min. | Typ. <sup>(1)</sup> | Max. | Unit |
|--|--|---|---|------|---------------------|------|------|
| V <sub>IH</sub>  | Input HIGH Voltage Level                               | V <sub>CC</sub> = 2.3V to 2.7V  |   | 1.7  | —                   | —    | V    |
|  |  | V <sub>CC</sub> = 2.7V to 3.6V  |   | 2    | —                   | —    |      |
| V <sub>IL</sub>  | Input LOW Voltage Level                                | V <sub>CC</sub> = 2.3V to 2.7V  |   | —    | —                   | 0.7  | V    |
|  |  | V <sub>CC</sub> = 2.7V to 3.6V  |   | —    | —                   | 0.8  |      |
| I <sub>IH</sub><br>I <sub>IL</sub>                       | Input Leakage Current                                  | V <sub>CC</sub> = 3.6V  | V <sub>I</sub> = 0 to 5.5V                  | —    | —                   | ±5   | μA   |
| I <sub>OZH</sub><br>I <sub>OZL</sub>                     | High Impedance Output Current<br>(3-State Output pins) | V <sub>CC</sub> = 3.6V  | V <sub>O</sub> = 0 to 5.5V                  | —    | —                   | ±10  | μA   |
| I <sub>OFF</sub>   | Input/Output Power Off Leakage                         | V <sub>CC</sub> = 0V, V <sub>IN</sub> or V <sub>O</sub> ≤ 5.5V              |   | —    | —                   | ±50  | μA   |
| V <sub>IK</sub>  | Clamp Diode Voltage                                    | V <sub>CC</sub> = 2.3V, I <sub>IN</sub> = -18mA                             |   | —    | -0.7                | -1.2 | V    |
| V <sub>H</sub>   | Input Hysteresis                                       | V <sub>CC</sub> = 3.3V  |   | —    | 100                 | —    | mV   |
| I <sub>CC1</sub><br>I <sub>CC2</sub><br>I <sub>CC3</sub> | Quiescent Power Supply Current                         | V <sub>CC</sub> = 3.6V  | V <sub>IN</sub> = GND or V <sub>CC</sub>    | —    | —                   | 10   | μA   |
|  |  |   | 3.6 ≤ V <sub>IN</sub> ≤ 5.5V <sup>(2)</sup> | —    | —                   | 10   |      |
| ΔI <sub>CC</sub>   | Quiescent Power Supply Current Variation               | One input at V <sub>CC</sub> - 0.6V, other inputs at V <sub>CC</sub> or GND |   | —    | —                   | 500  | μA   |

### NOTES:

- Typical values are at V<sub>CC</sub> = 3.3V, +25°C ambient.
- This applies in the disabled state only.

## BUS-HOLD CHARACTERISTICS

| Symbol                                | Parameter <sup>(1)</sup>         | Test Conditions        |                            | Min. | Typ. <sup>(2)</sup> | Max. | Unit |
|---------------------------------------|----------------------------------|------------------------|----------------------------|------|---------------------|------|------|
| I <sub>BH</sub><br>I <sub>BHL</sub>   | Bus-Hold Input Sustain Current   | V <sub>CC</sub> = 3V   | V <sub>I</sub> = 2V        | -75  | —                   | —    | μA   |
|                                       |                                  |                        | V <sub>I</sub> = 0.8V      | 75   | —                   | —    |      |
| I <sub>BH</sub><br>I <sub>BHL</sub>   | Bus-Hold Input Sustain Current   | V <sub>CC</sub> = 2.3V | V <sub>I</sub> = 1.7V      | —    | —                   | —    | μA   |
|                                       |                                  |                        | V <sub>I</sub> = 0.7V      | —    | —                   | —    |      |
| I <sub>BHO</sub><br>I <sub>BHLO</sub> | Bus-Hold Input Overdrive Current | V <sub>CC</sub> = 3.6V | V <sub>I</sub> = 0 to 3.6V | —    | —                   | ±500 | μA   |

### NOTES:

- Pins with Bus-Hold are identified in the pin description.
- Typical values are at V<sub>CC</sub> = 3.3V, +25°C ambient.

## OUTPUT DRIVE CHARACTERISTICS

| Symbol | Parameter           | Test Conditions <sup>(1)</sup> |               | Min.      | Max. | Unit |
|--------|---------------------|--------------------------------|---------------|-----------|------|------|
| VOH    | Output HIGH Voltage | VCC = 2.3V to 3.6V             | IOH = - 0.1mA | VCC - 0.2 | —    | V    |
|        |                     | VCC = 2.3V                     | IOH = - 6mA   | 2         | —    |      |
|        |                     | VCC = 2.3V                     | IOH = - 12mA  | 1.7       | —    |      |
|        |                     | VCC = 2.7V                     |               | 2.2       | —    |      |
|        |                     | VCC = 3V                       |               | 2.4       | —    |      |
|        |                     | VCC = 3V                       | IOH = - 24mA  | 2         | —    |      |
| VOL    | Output LOW Voltage  | VCC = 2.3V to 3.6V             | IOL = 0.1mA   | —         | 0.2  | V    |
|        |                     | VCC = 2.3V                     | IOL = 6mA     | —         | 0.4  |      |
|        |                     |                                | IOL = 12mA    | —         | 0.7  |      |
|        |                     | VCC = 2.7V                     | IOL = 12mA    | —         | 0.4  |      |
|        |                     | VCC = 3V                       | IOL = 24mA    | —         | 0.55 |      |

**NOTE:**  
1. VIH and VIL must be within the min. or max. range shown in the DC ELECTRICAL CHARACTERISTICS OVER OPERATING RANGE table for the appropriate VCC range. TA = - 40°C to + 85°C.

## OPERATING CHARACTERISTICS, VCC = 3.3V ± 0.3V, TA = 25°C

| Symbol | Parameter  | Test Conditions     | Typical | Unit |
|--------|--|---------------------|---------|------|
| CPD    | Power Dissipation Capacitance per Buffer/Driver Outputs enabled  | CL = 0pF, f = 10Mhz | 35      | pF   |
| CPD    | Power Dissipation Capacitance per Buffer/Driver Outputs disabled |                     | 4       |      |

## SWITCHING CHARACTERISTICS<sup>(1)</sup>

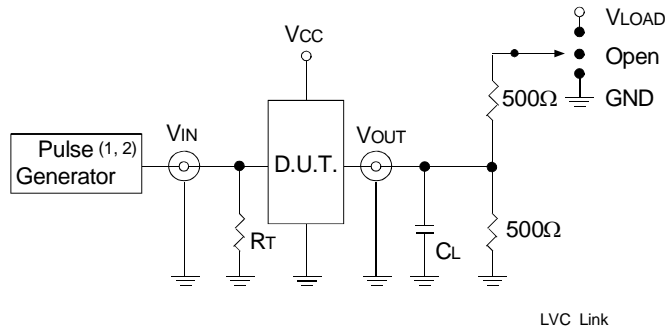
| Symbol | Parameter                  | VCC = 2.7V |      | VCC = 3.3V ± 0.3V |      | Unit |
|--------|----------------------------|------------|------|-------------------|------|------|
|        |                            | Min.       | Max. | Min.              | Max. |      |
| tPLH   | Propagation Delay          | —          | 5    | 1.1               | 4.2  | ns   |
| tPHL   | xAX to xYx                 |            |      |                   |      |      |
| tPZH   | Output Enable Time         | —          | 6.9  | 1.5               | 5.6  | ns   |
| tPZL   | xOEx to xYx                |            |      |                   |      |      |
| tPHZ   | Output Disable Time        | —          | 7.4  | 1.9               | 6.8  | ns   |
| tPLZ   | xOEx to xYx                |            |      |                   |      |      |
| tsk(o) | Output Skew <sup>(2)</sup> | —          | —    | —                 | 500  | ps   |

**NOTES:**  
1. See TEST CIRCUITS AND WAVEFORMS. TA = - 40°C to + 85°C.  
2. Skew between any two outputs of the same package and switching in the same direction.

## TEST CIRCUITS AND WAVEFORMS

### TEST CONDITIONS

| Symbol            | V <sub>CC</sub> <sup>(1)</sup> =3.3V±0.3V | V <sub>CC</sub> <sup>(1)</sup> =2.7V | V <sub>CC</sub> <sup>(2)</sup> =2.5V±0.2V | Unit |
|-------------------|---|--------------------------------------|---|------|
| V <sub>LOAD</sub> | 6   | 6                                    | 2 x V <sub>CC</sub>                       | V    |
| V <sub>IH</sub>   | 2.7                                       | 2.7                                  | V <sub>CC</sub>                           | V    |
| V <sub>T</sub>    | 1.5                                       | 1.5                                  | V <sub>CC</sub> / 2                       | V    |
| V <sub>LZ</sub>   | 300                                       | 300                                  | 150                                       | mV   |
| V <sub>HZ</sub>   | 300                                       | 300                                  | 150                                       | mV   |
| C <sub>L</sub>    | 50  | 50                                   | 30  | pF   |



Test Circuit for All Outputs

#### DEFINITIONS:

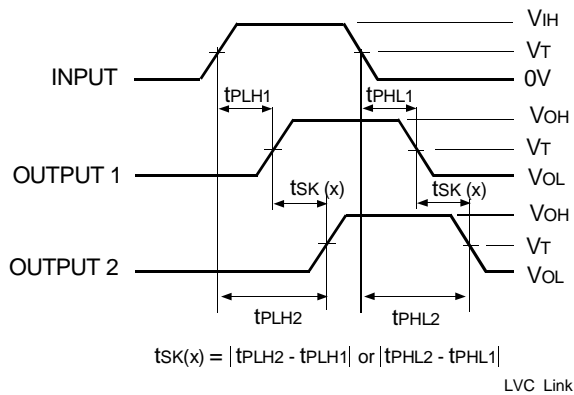
C<sub>L</sub> = Load capacitance: includes jig and probe capacitance.  
R<sub>T</sub> = Termination resistance: should be equal to Z<sub>OUT</sub> of the Pulse Generator.

#### NOTES:

1. Pulse Generator for All Pulses: Rate ≤ 10MHz; t<sub>r</sub> ≤ 2.5ns; t<sub>r</sub> ≤ 2.5ns.
2. Pulse Generator for All Pulses: Rate ≤ 10MHz; t<sub>r</sub> ≤ 2ns; t<sub>r</sub> ≤ 2ns.

### SWITCH POSITION

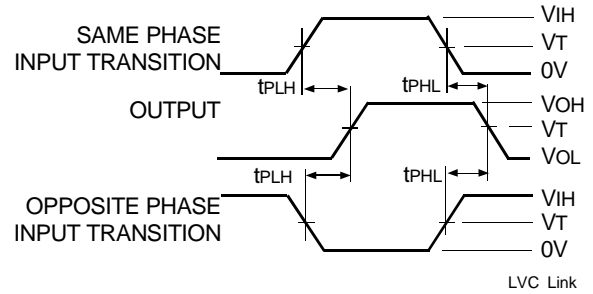
| Test                                    | Switch            |
|---|-------------------|
| Open Drain<br>Disable Low<br>Enable Low | V <sub>LOAD</sub> |
| Disable High<br>Enable High             | GND               |
| All Other Tests                         | Open              |



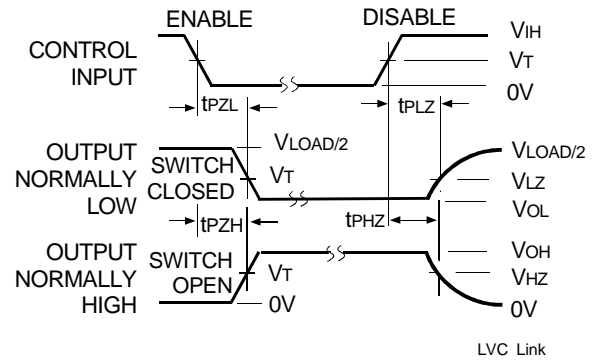
Output Skew - tsk(x)

#### NOTES:

1. For tsk(o) OUTPUT1 and OUTPUT2 are any two outputs.
2. For tsk(b) OUTPUT1 and OUTPUT2 are in the same bank.



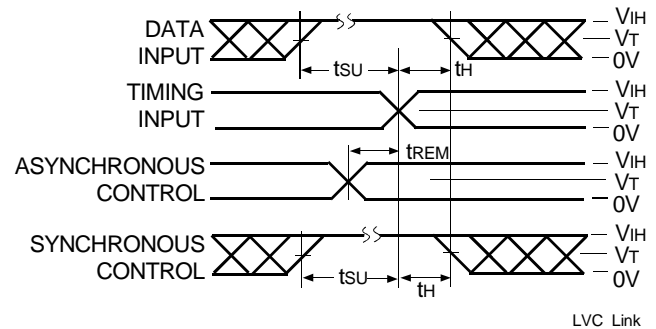
Propagation Delay



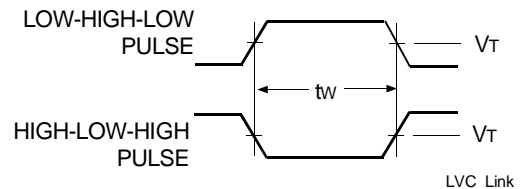
Enable and Disable Times

#### NOTE:

1. Diagram shown for input Control Enable-LOW and input Control Disable-HIGH.

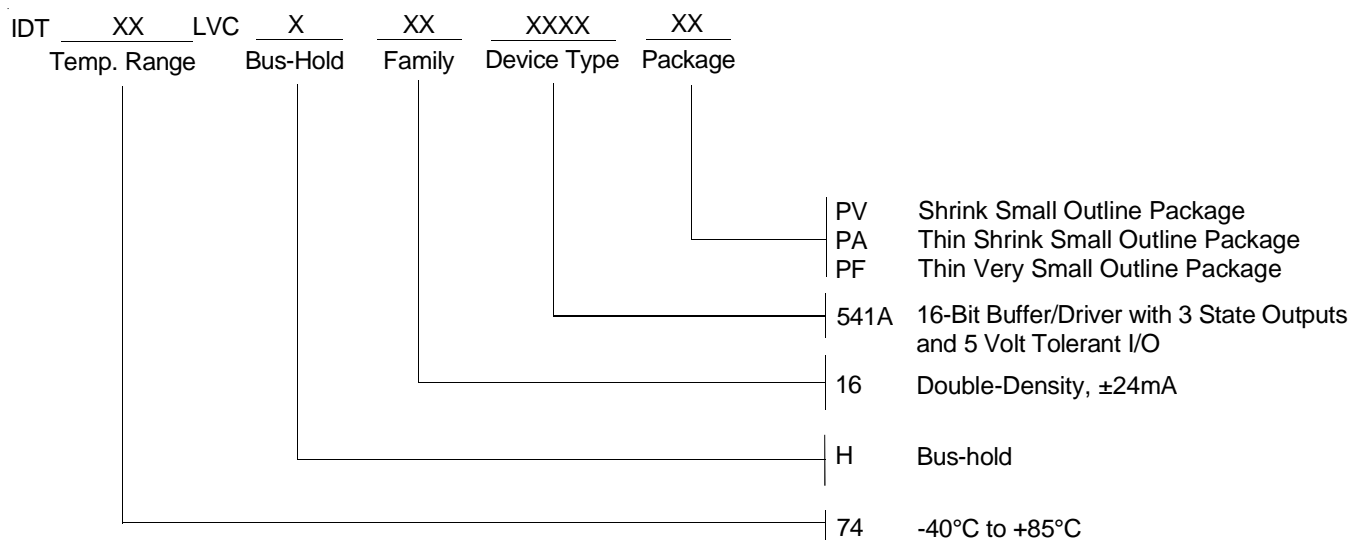


Set-up, Hold, and Release Times



Pulse Width

## ORDERING INFORMATION



**CORPORATE HEADQUARTERS**  
 2975 Stender Way  
 Santa Clara, CA 95054

**for SALES:**  
 800-345-7015 or 408-727-6116  
 fax: 408-492-8674  
 www.idt.com

**for Tech Support:**  
 logichelp@idt.com  
 (408) 654-6459