

Receptacle Assemblies, Double Row

Material and Finish:

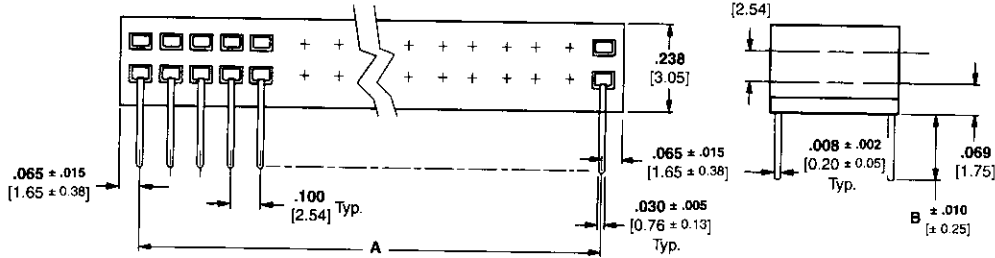
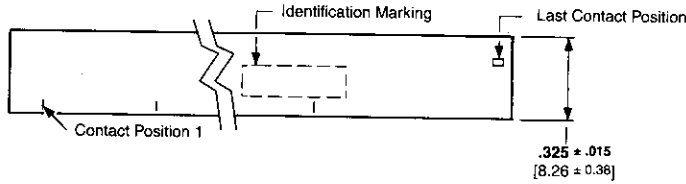
Housing — In accordance with MIL-C-55302 or MIL-M-24519 type GST-40F

Contacts — In accordance with MIL-C-55302

Plating Codes:

A — Gold flash over .000050 [0.00127] min. nickel on entire contact, .000050 [0.00127] min. gold on contact area

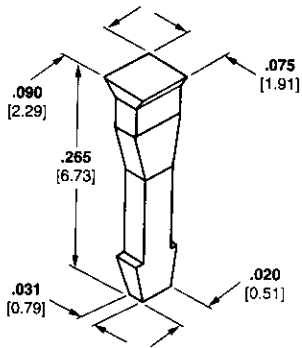
B — .000050 [0.00127] min. gold over .000050 [0.00127] min. nickel on the entire contact



Housing Configuration 1

Typical End View

No. of Pos.	Dimensions		Board Thickness	Plating Code A		Plating Code B	
	A	B		Military Part No M55302/128-	Part No.	Military Part No. M55302/128-	Part No.
4	.100 2.54	.115 2.92	.062 1.57	AA1A	87961-1	—	—
8	.300 7.62	.145 3.68	.093 2.36	AC1C	87964-3	—	—
10	.400 10.16	.115 2.92	.062 1.57	AD1A	87961-4	AD1B	87962-4
12	.500 12.70	.115 2.92	.062 1.57	AE1A	87961-5	—	—
		.145 3.68	.093 2.36	AE1C	87964-5	—	—
14	.600 15.24	.115 2.92	.062 1.57	AF1A	87961-6	AF1B	87962-6
16	.700 17.78	.115 2.92	.062 1.57	AG1A	87961-7	AG1B	87962-7
18	.800 20.32	.115 2.92	.062 1.57	—	—	AH1B	87962-8
		.145 3.68	.093 2.36	AH1C	87964-8	—	—
20	.900 22.86	.115 2.92	.062 1.57	AJ1A	87961-9	AJ1B	87962-9
		.145 3.68	.093 2.36	—	—	AJ1D	87965-9
22	1.000 25.40	.115 2.92	.062 1.57	AK1A	1-87961-0	AK1B	1-87962-0
		.175 4.45	.125 3.18	AK1E	1-102277-0	—	—
24	1.100 27.94	.115 2.92	.062 1.57	AL1A	1-87961-1	AL1B	1-87962-1
26	1.200 30.48	.115 2.92	.062 1.57	AM1A	1-87961-2	AM1B	1-87962-2
		.145 3.68	.093 2.36	AM1C	1-87964-2	—	—



Keying Plug —
Military Part Number
M55302/127-00KY
Part Number **102188-1**

Printed Circuit Board Connectors