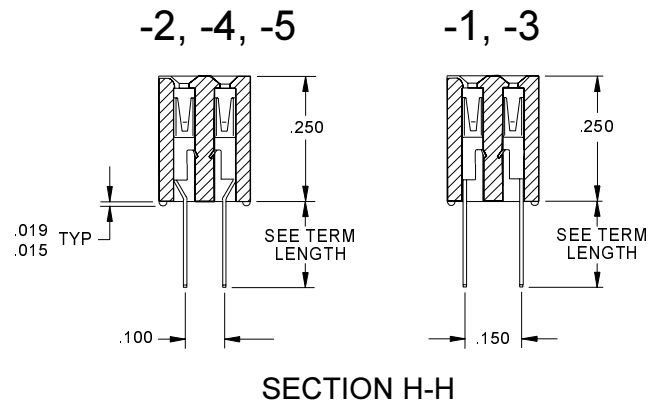


A MINIMUM OF 4 STANDOFFS TO APPEAR ON ALL PARTS 6 POSITION AND LARGER. LOCATION OPTIONAL.



CRISTEK INTERCONNECTS, INC.
 www.cristek.com
 1301 S. Lewis St.
 Anaheim, CA 92805
 Phone: (714) 618-2000
 FAX: (714) 535-4897

TITLE
VERTICAL BOX WITH STANDOFFS, LOW PROFILE

FILENAME
ADS-136-1

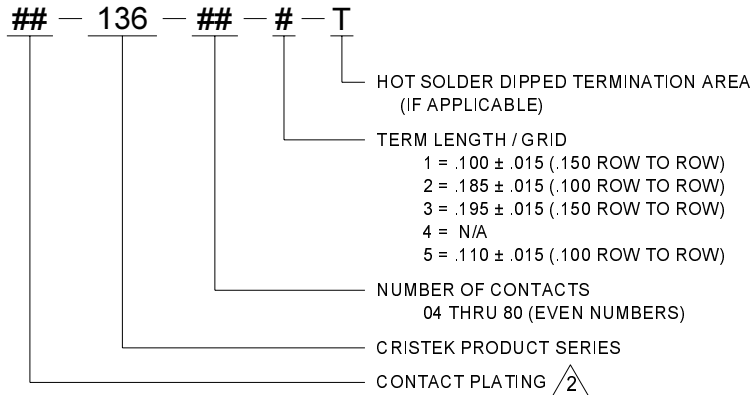
DWG. NO.
136

CODE IDENT NO. 67720	SHT 1 OF 2	REV E
--------------------------------	--------------------------	-----------------

TOLERANCE: .XXX ±.005 .XX ±.01 ANGLE ±1°

A NO. OF CONTACTS	NO. OF SPACES	B ±.010	C ±.010
04	1	.10	.23
06	2	.20	.33
08	3	.30	.43
10	4	.40	.53
12	5	.50	.63
14	6	.60	.73
16	7	.70	.83
18	8	.80	.93
20	9	.90	1.03
22	10	1.00	1.13
24	11	1.10	1.23
26	12	1.20	1.33
28	13	1.30	1.43
30	14	1.40	1.53
32	15	1.50	1.63
34	16	1.60	1.73
36	17	1.70	1.83
38	18	1.80	1.93
40	19	1.90	2.03
42	20	2.00	2.13

A NO. OF CONTACTS	NO. OF SPACES	B ±.010	C ±.010
44	21	2.10	2.23
46	22	2.20	2.33
48	23	2.30	2.43
50	24	2.40	2.53
52	25	2.50	2.63
54	26	2.60	2.73
56	27	2.70	2.83
58	28	2.80	2.93
60	29	2.90	3.03
62	30	3.00	3.13
64	31	3.10	3.23
66	32	3.20	3.33
68	33	3.30	3.43
70	34	3.40	3.53
72	35	3.50	3.63
74	36	3.60	3.73
76	37	3.70	3.83
78	38	3.80	3.93
80	39	3.90	4.03



1. MATERIALS:

INSULATOR - POLYPHENYLENE SULFIDE PER MIL-M-24519
 TYPE GST-40F
 CONTACT - COPPER ALLOY

2. FINISH: \triangle 2

CONTACT PLATING OPTIONS
 1 = .000010 INCH THICK GOLD ENTIRE CONTACT
 30 = .000030 INCH THICK GOLD POINT OF CONTACT
 .000005 INCH THICK GOLD ON BALANCE
 53 = POINT OF CONTACT TO BE PLATED PER MIL-G-45204 TYPE II,
 CLASS 1, GRADE C OVER NICKEL PER QQ-N-290 CLASS 2
 .000040 MIN. REMAINDER OF CONTACT TO HAVE A FLASH OF
 GOLD OVER NICKEL.
 55 = ENTIRE CONTACT TO BE PLATED PER MIL-G-45204 TYPE II,
 CLASS 1, GRADE C OVER NICKEL PER QQ-N-290 CLASS 2
 .000040 MIN.

3. SPECIFICATIONS:

CURRENT RATING 3 AMPS MAX
 TEMPERATURE RATING -55° C TO +125° C
 INSULATION RESISTANCE 5000 MEGOHMS MIN AT 500 VDC
 DWV AT SEA LEVEL 750 VAC
 CONTACT RESISTANCE 12 MILLIOHMS MAX AT 3 AMPS
 INSERTION FORCE 6 oz MAX
 WITHDRAWAL FORCE 0.5 oz MIN

4. ADDITIONAL INFORMATION:

CONFORMS TO ELECTRICAL & PERFORMANCE
 REQUIREMENTS OF M55302/128.
 FOR HOT SOLDER DIP OR OTHER OPTIONS,
 CONTACT CRISTEK.

CRISTEK INTERCONNECTS, INC. www.cristek.com 1301 S. Lewis St. Anaheim, CA 92805 Phone: (714) 618-2000 FAX: (714) 535-4897	TITLE	DWG. NO. 136		
	VERTICAL BOX WITH STANDOFFS, LOW PROFILE	CODE IDENT NO. 67720	SHT 2 OF 2	REV E
FILENAME ADS-136-2	TOLERANCE: .XXX ±.005 .XX ±.01 ANGLE ±1°			