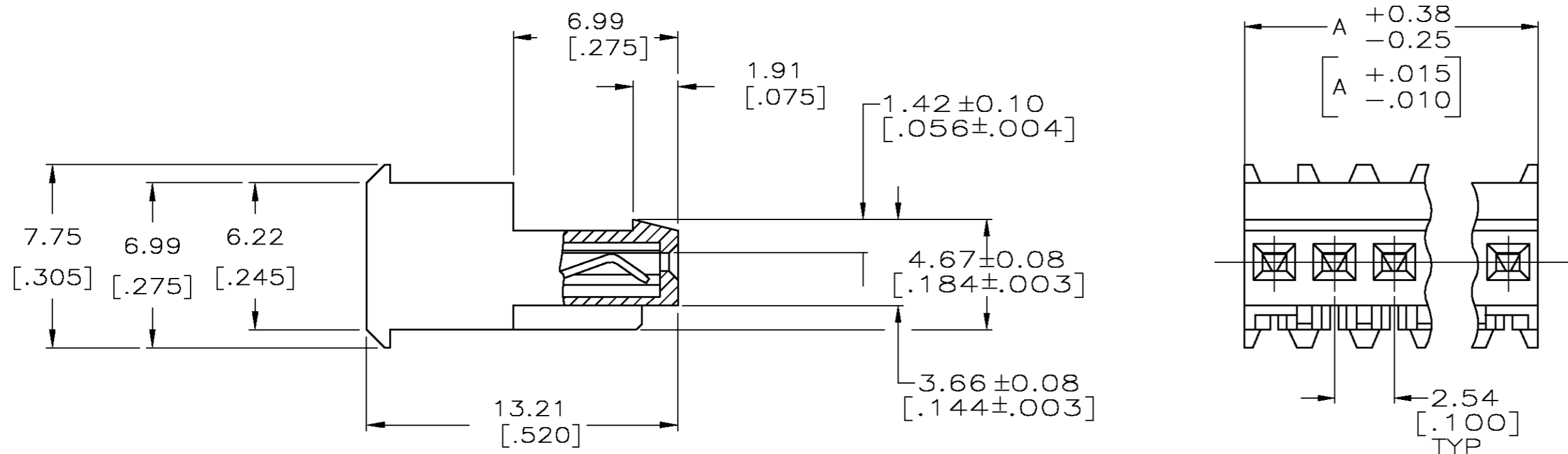
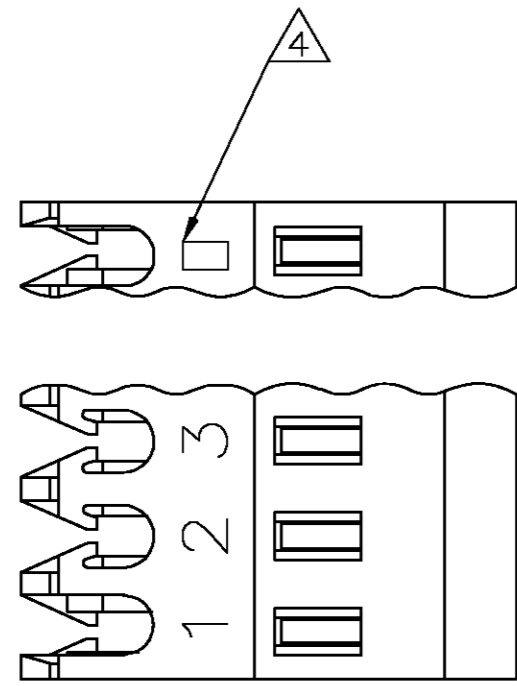


THIS DRAWING IS UNPUBLISHED. RELEASED FOR PUBLICATION
 © COPYRIGHT BY TYCO ELECTRONICS CORPORATION. ALL RIGHTS RESERVED.

LOC	DIST	REVISIONS					
CM	00	P	LTR	DESCRIPTION	DATE	DWN	APVD
		A		REVISION PER EC 0G3B-0648-04	03-DEC-04	SH	DB



LEAD FREE	LEAD	NO. OF POSN	ASSEMBLY
	38.10 [1.500]	15	4-644576-5
	35.56 [1.400]	14	4-644576-4
	33.02 [1.300]	13	4-644576-3
	30.48 [1.200]	12	4-644576-2
	27.94 [1.100]	11	4-644576-1
	25.40 [1.000]	10	4-644576-0
	22.86 [.900]	9	3-644576-9
	20.32 [.800]	8	3-644576-8
	17.78 [.700]	7	3-644576-7
	15.24 [.600]	6	3-644576-6
	12.70 [.500]	5	3-644576-5
	10.16 [.400]	4	3-644576-4
	7.62 [.300]	3	3-644576-3
	5.08 [.200]	2	3-644576-2

CONTAINS LEAD	LEAD	NO. OF POSN	ASSEMBLY
	38.10 [1.500]	15	1-644576-5
	35.56 [1.400]	14	1-644576-4
	33.02 [1.300]	13	1-644576-3
	30.48 [1.200]	12	1-644576-2
	27.94 [1.100]	11	1-644576-1
	25.40 [1.000]	10	1-644576-0
	22.86 [.900]	9	644576-9
	20.32 [.800]	8	644576-8
	17.78 [.700]	7	644576-7
	15.24 [.600]	6	644576-6
	12.70 [.500]	5	644576-5
	10.16 [.400]	4	644576-4
	7.62 [.300]	3	644576-3
	5.08 [.200]	2	644576-2

△ MATERIAL: CONNECTOR-NYLON UL94V-0 (BLACK).
 CONTACTS-0.30 [.012] THICK COPPER ALLOY
 (BRIGHT TIN-LEAD 0.00203 [.000080] MIN THICK FOR CONTACTS
 644576-2 THRU 1-644576-5)
 (BRIGHT TIN PLATE 0.00203 [.000080] MIN THICK OVER 0.00076
 [.000030] MIN THICK NICKEL FOR CONTACTS 3-644576-2 THRU
 4-644576-5)

2. CONTACTS ACCEPT 24 AWG WIRE WITH 1.52 [.060] MAX INSULATION DIAMETER.

3. CONTACTS MUST ACCEPT 0.64±0.03 [.025±.001] SQUARE POST AND REMAIN LOCKED IN POSITION.

△ IDENTIFICATION NUMBER FOR LAST CIRCUIT MAY NOT APPEAR ON ALL ASSEMBLIES.

5. DIMENSIONS IN BRACKETS ARE IN INCHES.

6. HOUSING FEATURES ARE: FEED THRU WITH LOCKING RAMP.



THIS DRAWING IS A CONTROLLED DOCUMENT.

DIMENSIONS: mm [INCHES]	TOLERANCES UNLESS OTHERWISE SPECIFIED: 0 PLC ± 1 PLC ± 2 PLC ± 0.13 [005] 3 PLC ± 4 PLC ± ANGLES ±	DWN S. HOQVER 03-DEC-2004 CHK D. BOSSI 03-DEC-2004 APVD D. BOSSI 03-DEC-2004	tyco Electronics Tyco Electronics Corporation Harrisburg, Pa 17105-3608
MATERIAL △	FINISH △	PRODUCT SPEC 108-1050 APPLICATION SPEC 114-1019	NAME MTA .100 CONNECTOR ASSEMBLY 24 AWG, UL94V-0, SPECIAL
		WEIGHT	SIZE A2 CAGE CODE 00779 DRAWING NO C=644576 RESTRICTED TO
		CUSTOMER DRAWING	SCALE 5:1 SHEET 1 OF 1 REV A