

# M60 Connectors

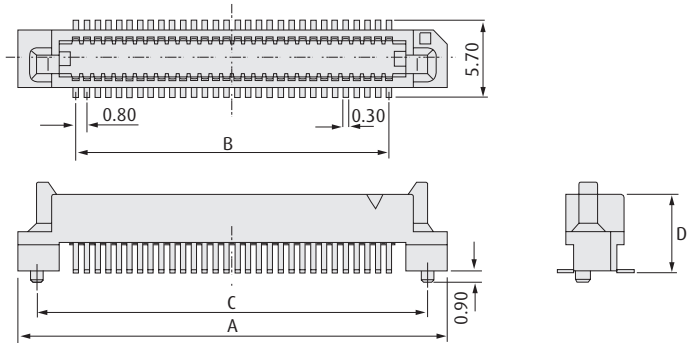
## Vertical Surface Mount

A range of double row 0.8mm pitch SMT male & female connectors for variable height board-to-board stacking.

- ❖ Locating pegs to ensure correct positioning onto the board.
- ❖ Polarised to prevent mis-mating.
- ❖ For tape and reel packaging contact [technical@harwin.com](mailto:technical@harwin.com).

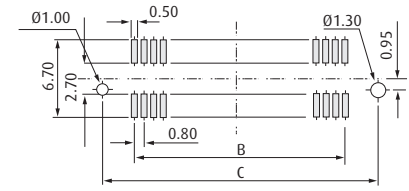
0.8mm (.031") PITCH

### FEMALE



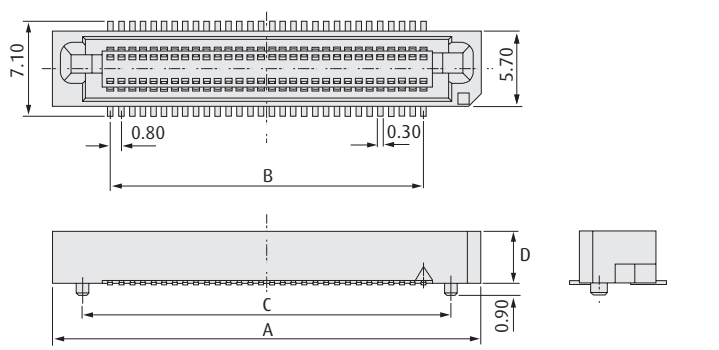
### CALCULATION:

<b>A</b>	$B + 8.6$
<b>B</b>	$0.8 \times (\text{No. of ways per row} - 1)$
<b>C</b>	$B + 5.6$



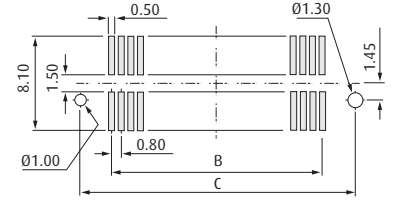
Recommended PC Board Pattern

### MALE



### CALCULATION:

<b>A</b>	$B + 8.6$
<b>B</b>	$0.8 \times (\text{No. Of ways per row} - 1)$
<b>C</b>	$B + 4.0$



Recommended PC Board Pattern

## HOW TO ORDER

**M60 - 6 X X XX XX**

#### SERIES CODE

#### GENDER

<b>0</b>	Female
<b>1</b>	Male

#### CONNECTOR HEIGHT

<b>4</b>	D = 4mm
<b>5</b>	D = 5mm (Female only)
<b>6</b>	D = 6mm

#### FINISH

<b>45</b>	Gold
-----------	------

#### NO. OF WAYS PER ROW

<b>10, 15, 20, 25, 30, 40, 50</b>
-----------------------------------

[www.harwin.com](http://www.harwin.com)

All dimensions in mm.

