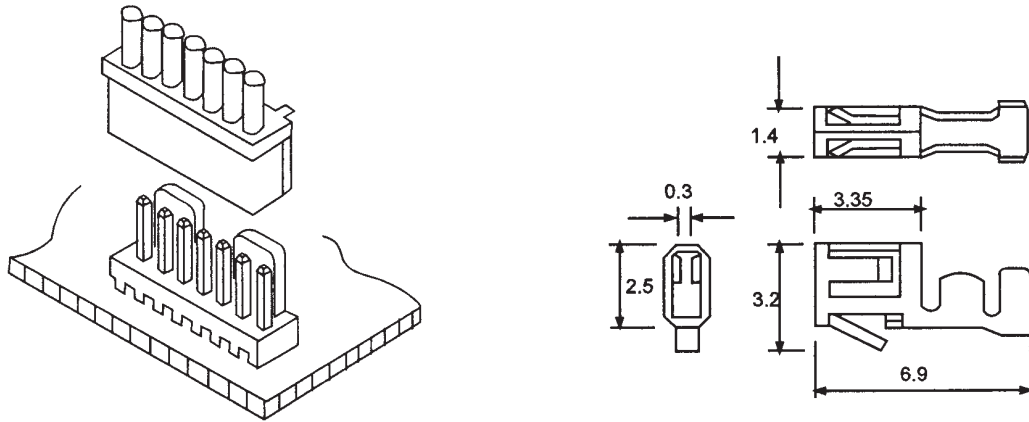


250G4 CONNECTOR SYSTEM

.098" (2.5mm) pitch wire-to-board type

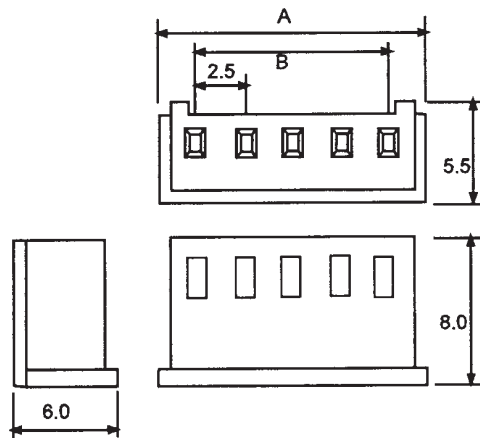
SST



PART NO.	WIRE RANGE		MATERIAL/	THICKNESS	INSULATION	REEL
	AWG#	mm ²	FINISH	mm	O.D.(mm)	PCS
250G4-T	22-28	0.33-0.08	BRASS/TIN	0.20	1.9-1.2	10000

250G4-H SERIES HOUSING

MATERIAL : NYLON 66UL 94V-2
 ACCEPT 250G4-T TERMINAL
 MATE WITH 250G4-V(R) HEADER
 CURRENT RATING : 2.5A AC,DC
 VOLTAGE RATING : 250V AC,DC
 CONTACT RESISTANCE : 20m δ MAX
 INSULATION RESISTANCE : 1000M δ MIN
 WITHSTANDING VOLTAGE : 1000V AC/MINUTE
 TEMPERATURE RANGE : -25°C TO +85°C



POLES	PART NO.	DIMENSIONS (mm)		POLES	PART NO.	DIMENSIONS (mm)	
		A	B			A	B
2	250G4-H02	6.74	2.50	12	250G4-H12	31.74	27.50
3	250G4-H03	9.24	5.00	13	250G4-H13	34.24	30.00
4	250G4-H04	11.74	7.50	14	250G4-H14	36.74	32.50
5	250G4-H05	14.24	10.00	15	250G4-H15	39.24	35.00
6	250G4-H06	16.74	12.50	16	250G4-H16	41.74	37.50
7	250G4-H07	19.24	15.00	17	250G4-H17	42.24	40.00
8	250G4-H08	21.74	17.50	18	250G4-H18	46.74	42.50
9	250G4-H09	24.24	20.00	19	250G4-H19	49.24	45.00
10	250G4-H10	26.74	22.50	20	250G4-H20	51.74	47.50
11	250G4-H11	29.24	25.00				

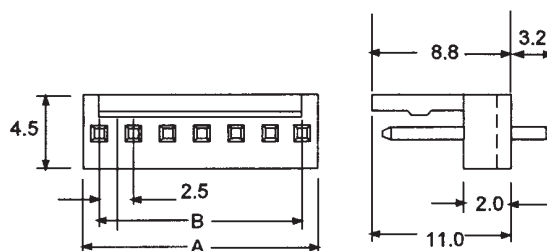
250G4 CONNECTOR SYSTEM

.098" (2.5mm) pitch wire-to-board type



250G4-V SERIES HEADER

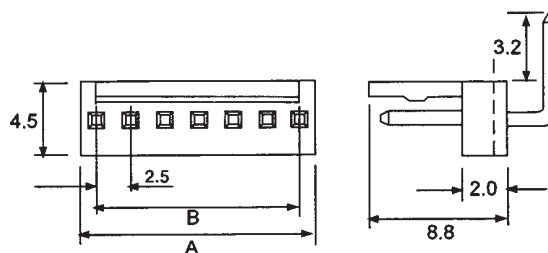
MATERIAL : NYLON 66 UL 94V-2
 PIN BRASS TIN-PLATED
 MATE WITH 250G4-H HOUSING
 CURRENT RATING : 2.5A AC, DC
 VOLTAGE RATING : 250V AC, DC
 CONTACT RESISTANCE : 20m δ MAX
 INSULATION RESISTANCE : 1000M δ MIN
 WITHSTANDING VOLTAGE : 1000V AC/MINUTE
 TEMPERATURE RANGE : -25°C TO +85°C
 SQ PIN SIZE : 0.64 MM
 PC BOARD HOLE : 0.9 MM DIA
 PC BOARD THICKNESS : 1.6 MM



POLES	PART NO.	DIMENSIONS (mm)		POLES	PART NO.	DIMENSIONS (mm)	
		A	B			A	B
2	250G4-V02	5.00	2.50	12	250G4-V12	30.00	27.50
3	250G4-V03	7.50	5.00	13	250G4-V13	32.50	30.00
4	250G4-V04	10.00	7.50	14	250G4-V14	35.00	32.50
5	250G4-V05	12.50	10.00	15	250G4-V15	37.50	35.00
6	250G4-V06	15.00	12.50	16	250G4-V16	40.00	37.50
7	250G4-V07	17.50	15.00	17	250G4-V17	42.50	40.00
8	250G4-V08	20.00	17.50	18	250G4-V18	45.00	42.50
9	250G4-V09	22.50	20.00	19	250G4-V19	47.50	45.00
10	250G4-V10	25.00	22.50	20	250G4-V20	50.00	47.50
11	250G4-V11	27.50	25.00				

250G4-R SERIES HEADER

MATERIAL : NYLON 66 UL 94V-2
 PIN BRASS TIN-PLATED
 MATE WITH 250G4-H HOUSING
 CURRENT RATING : 2.5A AC, DC
 VOLTAGE RATING : 250V AC, DC
 CONTACT RESISTANCE : 20m δ MAX
 INSULATION RESISTANCE : 1000M δ MIN
 WITHSTANDING VOLTAGE : 1000V AC/MINUTE
 TEMPERATURE RANGE : -25°C TO +85°C
 SQ PIN SIZE : 0.64 MM
 PC BOARD HOLE : 0.9 MM DIA
 PC BOARD THICKNESS : 1.6 MM



POLES	PART NO.	DIMENSIONS (mm)		POLES	PART NO.	DIMENSIONS (mm)	
		A	B			A	B
2	250G4-R02	5.00	2.50	12	250G4-R12	30.00	27.50
3	250G4-R03	7.50	5.00	13	250G4-R13	32.50	30.00
4	250G4-R04	10.00	7.50	14	250G4-R14	35.00	32.50
5	250G4-R05	12.50	10.00	15	250G4-R15	37.50	35.00
6	250G4-R06	15.00	12.50	16	250G4-R16	40.00	37.50
7	250G4-R07	17.50	15.00	17	250G4-R17	42.50	40.00
8	250G4-R08	20.00	17.50	18	250G4-R18	45.00	42.50
9	250G4-R09	22.50	20.00	19	250G4-R19	47.50	45.00
10	250G4-R10	25.00	22.50	20	250G4-R20	50.00	47.50
11	250G4-R11	27.50	25.00				