

# Spread Spectrum Clock Generator

## MB88155

### ■ DESCRIPTION

MB88155 is a clock generator for EMI (Electro Magnetic Interference) reduction. The peak of unnecessary radiation noise (EMI) can be attenuated by making the oscillation frequency slightly modulate periodically with the internal modulator. For modulation, the MB88155 supports both center-spreading and down-spreading. It has a non-modulated output pin (REFOUT) as well as a modulated output pin (CKOUT) .

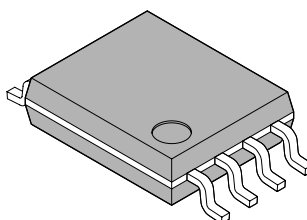
### ■ FEATURES

- Input frequency : 12.5 MHz to 50 MHz (Multiplied by 1)  
12.5 MHz to 20 MHz (Multiplied by 4)
- Output frequency : CKOUT 12.5 MHz to 80 MHz  
REFOUT The same as input frequency (not multiplied)
- Modulation rate :  $\pm 0.5\%$ ,  $\pm 1.0\%$  (center spread) ,  $- 1.0\%$ ,  $- 2.0\%$  (Down spread)
- Equipped with oscillation circuit : range of oscillation 12.5 MHz to 40 MHz (Fundamental oscillation)  
40 MHz to 48 MHz (3rd overtone)
- Modulation clock output Duty : 40% to 60%

(Continued)

### ■ PACKAGE

8-pin plastic TSSOP



(FPT-8P-M05)

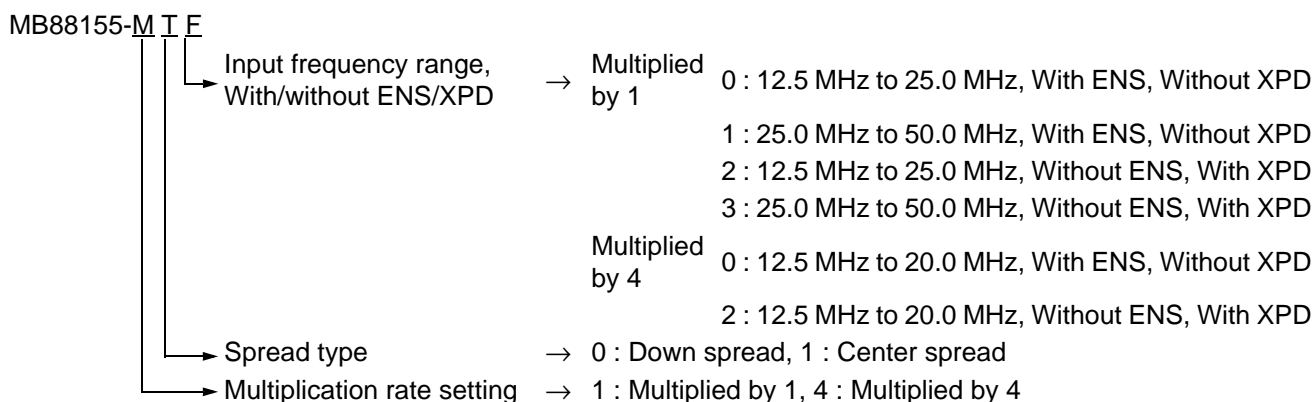
# MB88155

*(Continued)*

- Modulation clock cycle – cycle jitter : MB88155-1xx 12.5 MHz to 20 MHz less than 150 ps  
MB88155-1xx 20 MHz to 50 MHz less than 100 ps  
MB88155-4xx less than 200 ps
- Low current consumption by CMOS process : 5 mA (24 MHz : Typ-sample, no load)
- Power supply voltage :  $3.3\text{ V} \pm 0.3\text{ V}$
- Operating temperature :  $-40\text{ }^{\circ}\text{C}$  to  $+85\text{ }^{\circ}\text{C}$
- Package : 8-pin plastic TSSOP

## ■ PRODUCT LINEUP

The MB88155 is available in different models : 2 models different in multiplier (  $\times 1$  and  $\times 4$  ) , 2 in modulation type (center-spreading and down-spreading) , 2 in input frequency range at a multiplier of 1 (12.5 MHz to 25 MHz and 25 MHz to 50 MHz) , and 1 in input frequency range at a multiplier of 4 (12.5 MHz to 20 MHz) .  
The MB88155 is also available in two versions : modulation-on/off selectable version (with ENS pin) and power-down function built-in version (with XPD pin) .

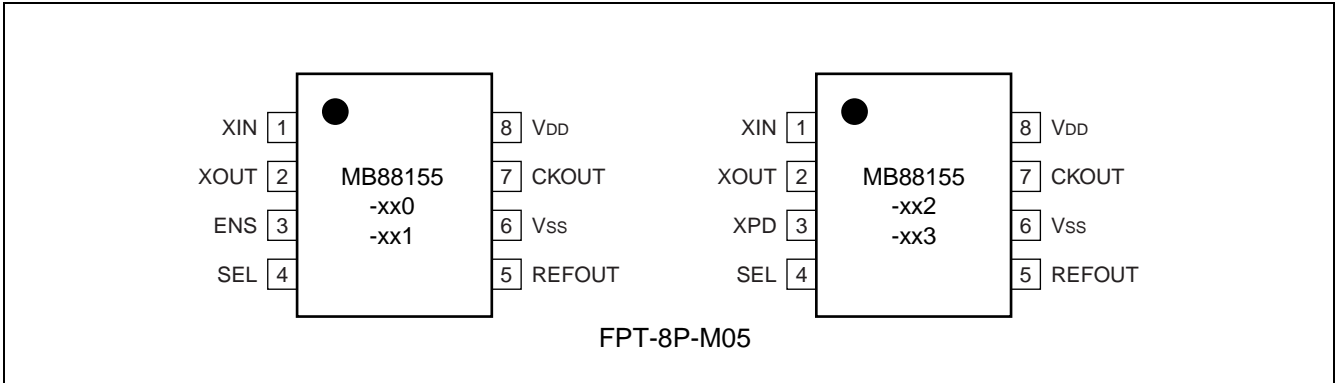


### Line-up of MB88155

Product	Input frequency	Multiplication rate	Output frequency	Modulation type	Modulation enable pin	Power down pin		
MB88155-100	12.5 MHz to 25 MHz	Multiplied by 1	The same as input frequency	Down spread	Yes	No		
MB88155-101	25 MHz to 50 MHz				No	Yes		
MB88155-102	12.5 MHz to 25 MHz				Center spread	Yes	No	
MB88155-103	25 MHz to 50 MHz					No	Yes	
MB88155-110	12.5 MHz to 25 MHz			Multiplied by 4	50 MHz to 80 MHz	Down spread	Yes	No
MB88155-111	25 MHz to 50 MHz						No	Yes
MB88155-112	12.5 MHz to 25 MHz					Center spread	Yes	No
MB88155-113	25 MHz to 50 MHz						No	Yes
MB88155-400	12.5 MHz to 20 MHz	Multiplied by 4	50 MHz to 80 MHz	Down spread	Yes	No		
MB88155-402					No	Yes		
MB88155-410				Center spread	Yes	No		
MB88155-412					No	Yes		

# MB88155

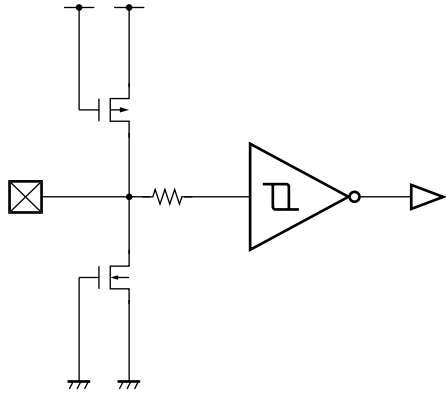
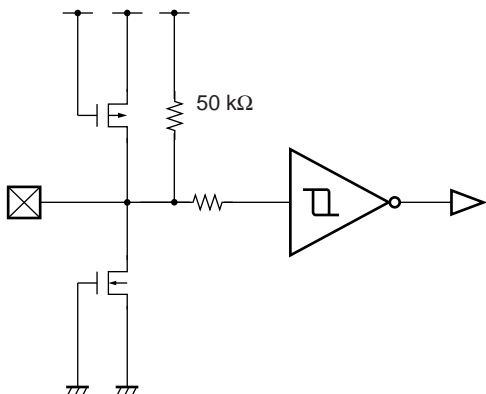
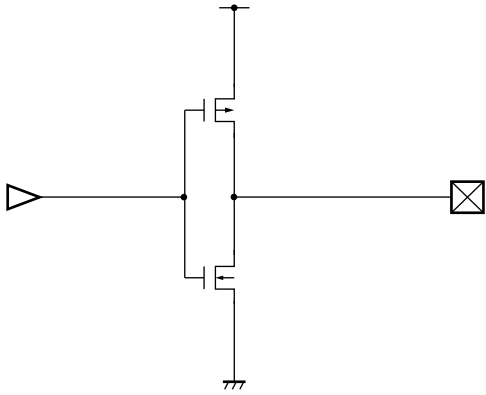
## ■ PIN ASSIGNMENT



## ■ PIN DESCRIPTION

Pin name	I/O	Pin no.	Description
XIN	I	1	Connection pin of resonator/clock input pin
XOUT	O	2	Connection pin of resonator
ENS/XPD	I	3	Modulation enable pin/power down pin
SEL	I	4	Modulation rate setting pin Down spread, SEL = "L" : Modulation rate – 1.0% Down spread, SEL = "H" : Modulation rate – 2.0% Down spread, SEL = "L" : Modulation rate $\pm$ 0.5% Down spread, SEL = "H" : Modulation rate $\pm$ 1.0%
REFOUT	O	5	Non-modulated clock output pin This pin becomes to "L" at power-down.
V <sub>SS</sub>	—	6	GND Pin
CKOUT	O	7	Modulated clock output pin This pin becomes to "L" at power-down.
V <sub>DD</sub>	—	8	Power supply voltage pin

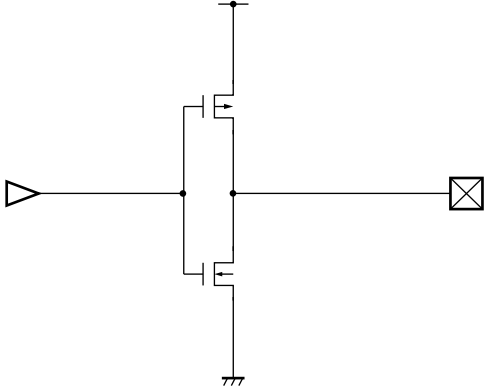
## ■ I/O CIRCUIT TYPE

Pin	Circuit type	Remarks
SEL XPD		<ul style="list-style-type: none"> <li>• CMOS hysteresis input</li> </ul>
ENS		<ul style="list-style-type: none"> <li>• CMOS hysteresis input with pull-up resistor of 50 kΩ (Typ)</li> </ul>
REFOUT		<ul style="list-style-type: none"> <li>• CMOS output</li> <li>• <math>I_{OL} = 3 \text{ mA}</math></li> <li>• "L" output at power-down</li> </ul>

(Continued)

# MB88155

(Continued)

Pin	Circuit type	Remarks
CKOUT		<ul style="list-style-type: none"> <li>• CMOS output</li> <li>• <math>I_{OL} = 4 \text{ mA}</math></li> <li>• "L" output at power-down</li> </ul>

For XIN pin and XOUT pin, refer to "■ OSCILLATION CIRCUIT".

## ■ HANDLING DEVICES

### Preventing Latchup

A latchup can occur if, on this device, (a) a voltage higher than  $V_{DD}$  or a voltage lower than  $V_{SS}$  is applied to an input or output pin or (b) a voltage higher than the rating is applied between  $V_{DD}$  and  $V_{SS}$ . The latchup, if it occurs, significantly increases the power supply current and may cause thermal destruction of an element. When you use this device, be very careful not to exceed the maximum rating.

### Handling unused pins

Do not leave an unused input pin open, since it may cause a malfunction. Handle by, using a pull-up or pull-down resistor.

Unused output pin should be opened.

### The attention when the external clock is used

Input the clock to XIN pin, and XOUT pin should be opened when you use the external clock. Please pay attention so that an overshoot and an undershoot do not occur to an input clock of XIN pin.

### Power supply pins

Please design connecting the power supply pin of this device by as low impedance as possible from the current supply source.

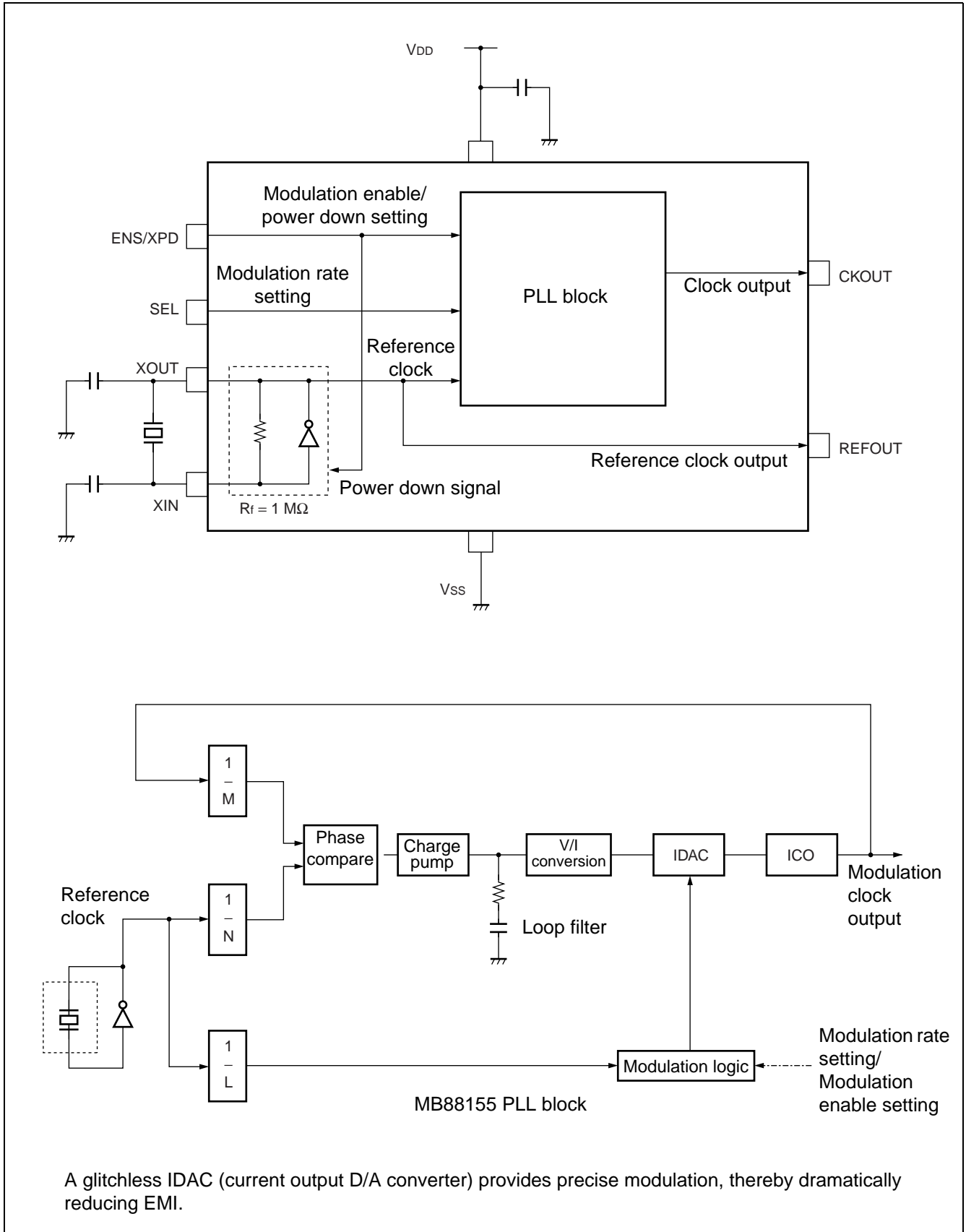
We recommend connecting electrolytic capacitor (about 10  $\mu\text{F}$ ) and the ceramic capacitor (about 0.01  $\mu\text{F}$ ) in parallel between  $V_{SS}$  and  $V_{DD}$  near the device, as a bypass capacitor.

### Oscillation circuit

Noise near the XIN and XOUT pins may cause the device to malfunction. Design printed circuit boards so that electric wiring of XIN or XOUT pin and the resonator do not intersect other wiring.

Design the printed circuit board that surrounds the XIN and XOUT pins with ground.

## ■ BLOCK DIAGRAM





## ■ PIN SETTING

The modulation clock requires stabilization wait time after the PIN setting is changed. For the modulation clock stabilization wait time, assure the maximum value for "Lock-up time" in the AC Characteristics list in "■ ELECTRICAL CHARACTERISTICS".

### ENS modulation enable setting

ENS	Modulation	
L	No modulation	MB88155-xx0, xx1
H	Modulation	

Note : Spectrum does not diffuse when "L" is set to ENS pin.  
 MB88155-xx2, xx3 do not have ENS pin.

### XPD power down

XPD	Status	
L	Power down status	MB88155-xx2, xx3
H	Operating status	

Note : When setting "L" to XPD pin, it becomes power down mode (low power consumption mode) .  
 Both CKOUT and REFOUT of output pins are fixed to "L" output during power down.  
 MB88155-xx0, xx1 do not have XPD pin.

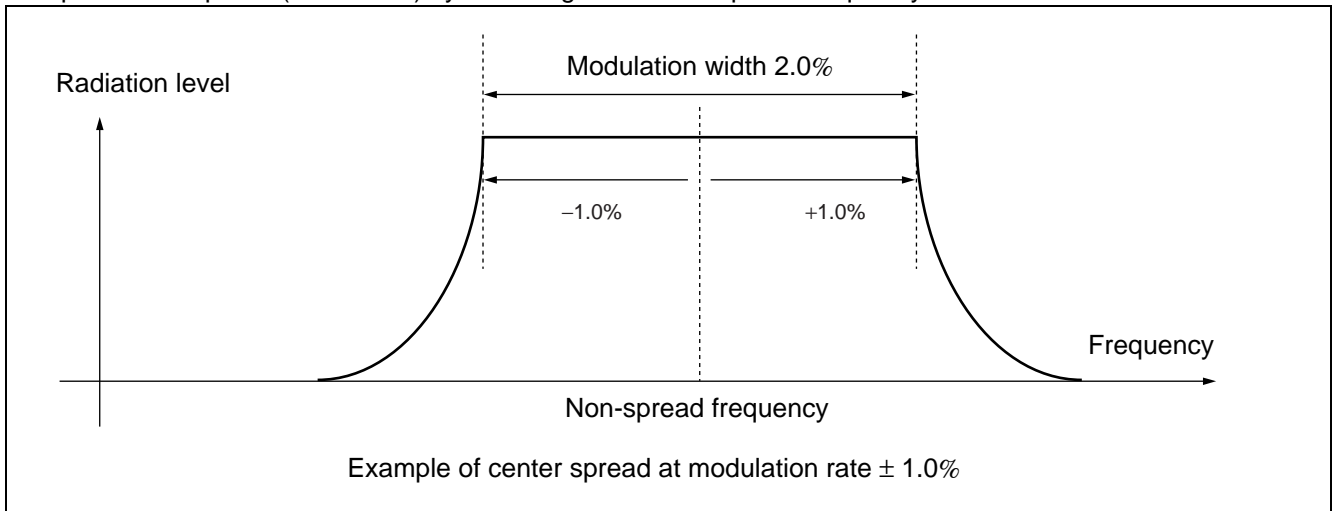
### SEL modulation rate setting

SEL	Frequency	
L	$\pm 0.5\%$	MB88155-x1x
	$- 1.0\%$	MB88155-x0x
H	$\pm 1.0\%$	MB88155-x1x
	$- 2.0\%$	MB88155-x0x

Note : The modulation rate can be changed at the level of the pin.

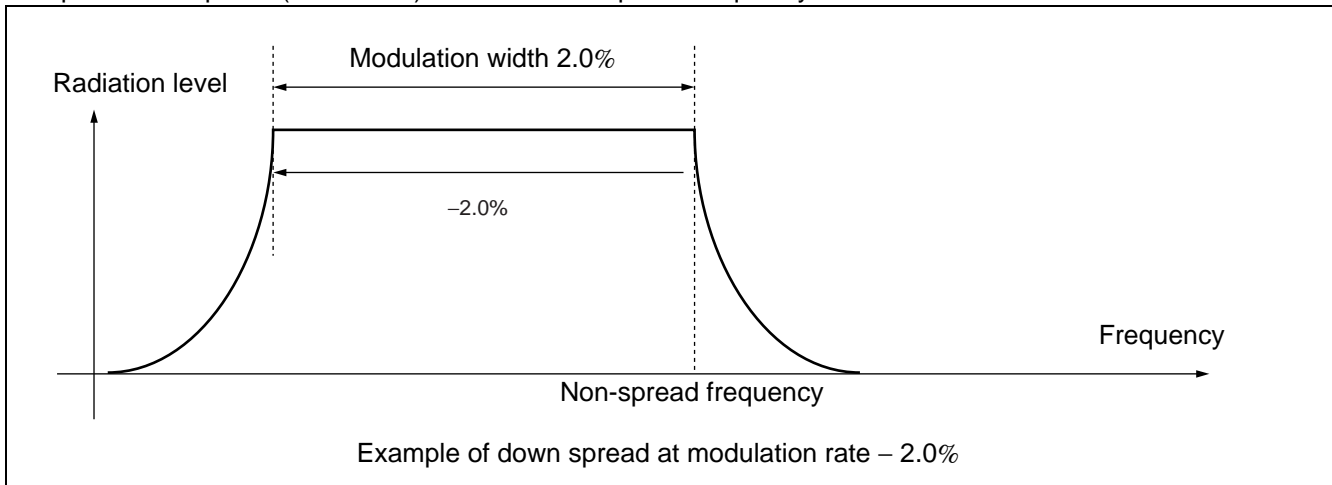
- Center spread

Spectrum is spread (modulated) by centering on the non-spread frequency.



- Down spread

Spectrum is spread (modulated) below the non-spread frequency.

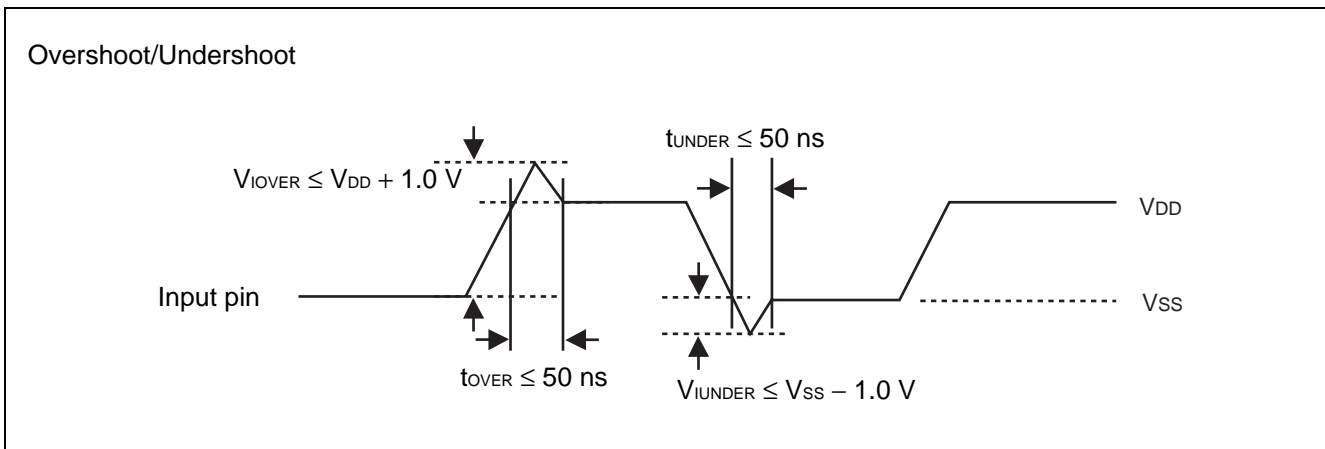


## ■ ABSOLUTE MAXIMUM RATINGS

Parameter	Symbol	Rating		Unit
		Min	Max	
Power supply voltage*	$V_{DD}$	- 0.5	+ 4.0	V
Input voltage*	$V_I$	$V_{SS} - 0.5$	$V_{DD} + 0.5$	V
Output voltage*	$V_O$	$V_{SS} - 0.5$	$V_{DD} + 0.5$	V
Storage temperature	$T_{ST}$	- 55	+ 125	°C
Operation junction temperature	$T_J$	- 40	+ 125	°C
Output current	$I_O$	- 14	+ 14	mA
Overshoot	$V_{IOVER}$	—	$V_{DD} + 1.0$ ( $t_{OVER} \leq 50$ ns)	V
Undershoot	$V_{IUNDER}$	$V_{SS} - 1.0$ ( $t_{UNDER} \leq 50$ ns)	—	V

\* : The parameter is based on  $V_{SS} = 0.0$  V.

**WARNING:** Semiconductor devices can be permanently damaged by application of stress (voltage, current, temperature, etc.) in excess of absolute maximum ratings. Do not exceed these ratings.



## ■ RECOMMENDED OPERATING CONDITIONS

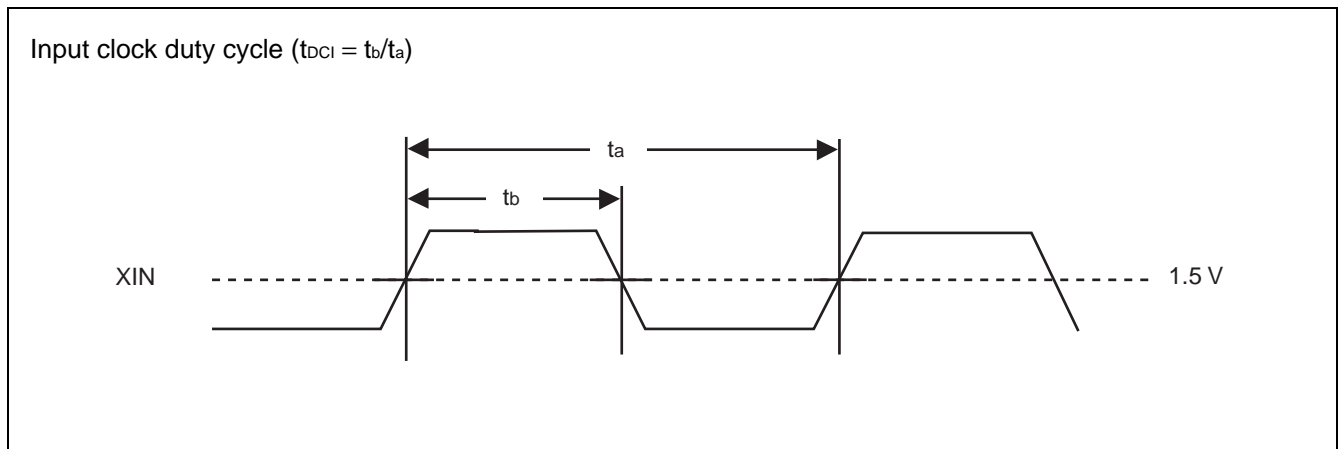
( $V_{SS} = 0.0\text{ V}$ )

Parameter	Symbol	Pin	Conditions	Value			Unit
				Min	Typ	Max	
Power supply voltage	$V_{DD}$	$V_{DD}$	—	3.0	3.3	3.6	V
“H” level input voltage	$V_{IH}$	XIN, SEL, ENS, XPD	—	$V_{DD} \times 0.8$	—	$V_{DD} + 0.3$	V
“L” level input voltage	$V_{IL}$	XIN, SEL, ENS, XPD	—	$V_{SS}$	—	$V_{DD} \times 0.2$	V
Input clock duty cycle	$t_{DCI}$	XIN	12.5 MHz to 50 MHz	40	50	60	%
Operating temperature	$T_a$	—	—	- 40	—	+ 85	°C

**WARNING:** The recommended operating conditions are required in order to ensure the normal operation of the semiconductor device. All of the device’s electrical characteristics are warranted when the device is operated within these ranges.

Always use semiconductor devices within their recommended operating condition ranges. Operation outside these ranges may adversely affect reliability and could result in device failure.

No warranty is made with respect to uses, operating conditions, or combinations not represented on the data sheet. Users considering application outside the listed conditions are advised to contact their FUJITSU representatives beforehand.



## ■ ELECTRICAL CHARACTERISTICS

### • DC Characteristics

( $T_a = -40\text{ }^\circ\text{C}$  to  $+85\text{ }^\circ\text{C}$ ,  $V_{DD} = 3.3\text{ V} \pm 0.3\text{ V}$ ,  $V_{SS} = 0.0\text{ V}$ )

Parameter	Symbol	Pin	Conditions	Value			Unit
				Min	Typ	Max	
Power supply current	$I_{CC}$	$V_{DD}$	24 MHz output No load capacitance	—	5.0	7.0	mA
			At power-down	—	10	—	$\mu\text{A}$
Output voltage	$V_{OHC}$	CKOUT	“H” level output $I_{OH} = -4\text{ mA}$	$V_{DD} - 0.5$	—	$V_{DD}$	V
	$V_{OHR}$	REFOUT	“H” level output $I_{OH} = -3\text{ mA}$				
	$V_{OLC}$	CKOUT	“L” level output $I_{OL} = 4\text{ mA}$	$V_{SS}$	—	0.4	V
	$V_{OLR}$	REFOUT	“L” level output $I_{OL} = 3\text{ mA}$				
Output impedance	$Z_{OC}$	CKOUT	12.5 MHz to 80 MHz	—	45	—	$\Omega$
	$Z_{OR}$	REFOUT	12.5 MHz to 50 MHz	—	70	—	
Input capacitance	$C_{IN}$	XIN, SEL, ENS/XPD	$T_a = +25\text{ }^\circ\text{C}$ $V_{DD} = V_i = 0.0\text{ V}$ $f = 1\text{ MHz}$	—	—	16	pF
Input pull-up resistor	$R_{PU}$	ENS	$V_{IL} = 0.0\text{ V}$	25	50	200	k $\Omega$
Load capacitance	$C_L$	REFOUT	12.5 MHz to 50 MHz	—	—	15	pF
		CKOUT	12.5 MHz to 50 MHz	—	—	15	
			50 MHz to 80 MHz	—	—	7	

# MB88155

## • AC Characteristics

( $T_a = -40\text{ }^\circ\text{C}$  to  $+85\text{ }^\circ\text{C}$ ,  $V_{DD} = 3.3\text{ V} \pm 0.3\text{ V}$ ,  $V_{SS} = 0.0\text{ V}$ )

Parameter	Symbol	Pin	Conditions	Value			Unit
				Min	Typ	Max	
Oscillation frequency	$f_x$	XIN, XOUT	Fundamental oscillation	12.5	—	40	MHz
			3 <sup>rd</sup> overtone	40	—	48	
Input frequency	$f_{in}$	XIN	MB88155 – 1x0, 1x2	12.5	—	25	MHz
			MB88155 – 1x1, 1x3	25	—	50	
			MB88155 – 4xx	12.5	—	20	
Output frequency	$f_{out}$	REFOUT	MB88155 – 1x0, 1x2	12.5	—	25	MHz
			MB88155 – 1x1, 1x3	25	—	50	
			MB88155 – 4xx	12.5	—	20	
		CKOUT	MB88155 – 1x0, 1x2	12.5	—	25	
			MB88155 – 1x1, 1x3	25	—	50	
			MB88155 – 4xx	50	—	80	
Output slew rate	$SR_C$	CKOUT	Load capacitance 15 pF, 0.4 V to 2.4 V	0.4	—	4.0	V/ns
	$SR_R$	REFOUT	Load capacitance 15 pF, 0.4 V to 2.4 V	0.3	—	2.0	
Output clock duty cycle	$t_{DCC}$	CKOUT	1.5 V reference level	40	—	60	%
	$t_{DCR}$	REFOUT	1.5 V reference level	$t_{DCI} - 10^{*1}$	—	$t_{DCI} + 10^{*1}$	
Modulation frequency	$f_{MOD}$	CKOUT	Input frequency at 24 MHz	—	32.4	—	kHz
Lock-up time*2	$t_{LK}$	CKOUT	—	—	2	5	ms
Cycle-cycle jitter	$t_{JC}$	CKOUT	MB88155 – 1xx Input frequency 12.5 MHz to 20 MHz, No load capacitance, $T_a = +25\text{ }^\circ\text{C}$ , $V_{DD} = 3.3\text{ V}$ , Standard deviation $\sigma$	—	—	150	ps
			MB88155 – 1xx Input frequency 20 MHz to 50 MHz, No load capacitance, $T_a = +25\text{ }^\circ\text{C}$ , $V_{DD} = 3.3\text{ V}$ , Standard deviation $\sigma$	—	—	100	ps
			MB88155 – 4xx No load capacitance, $T_a = +25\text{ }^\circ\text{C}$ , $V_{DD} = 3.3\text{ V}$ , Standard deviation $\sigma$	—	—	200	ps

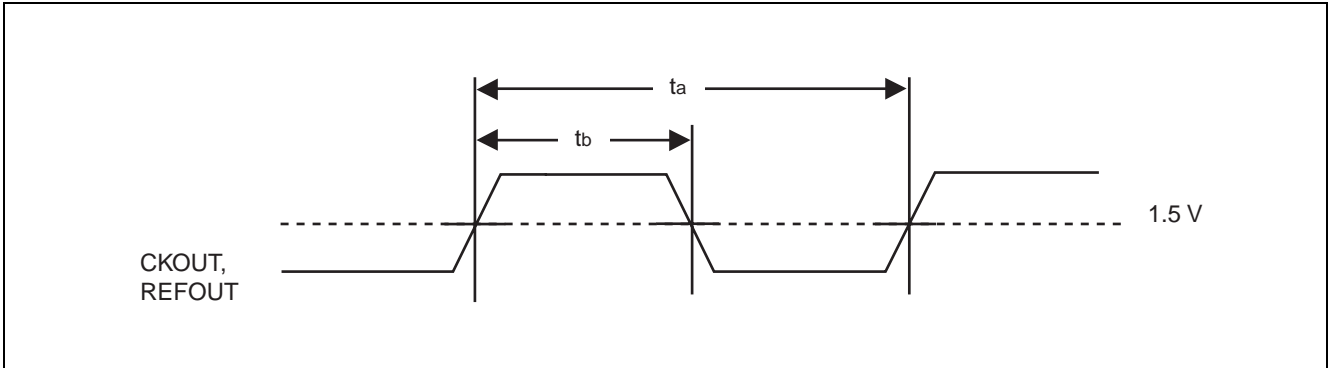
\*1 : Duty of the REFOUT output is guaranteed only for the following A and B because it depends on  $t_{DCI}$  of input clock duty.

A. Resonator input : When resonator is connected with XIN and XOUT, and oscillates normally.

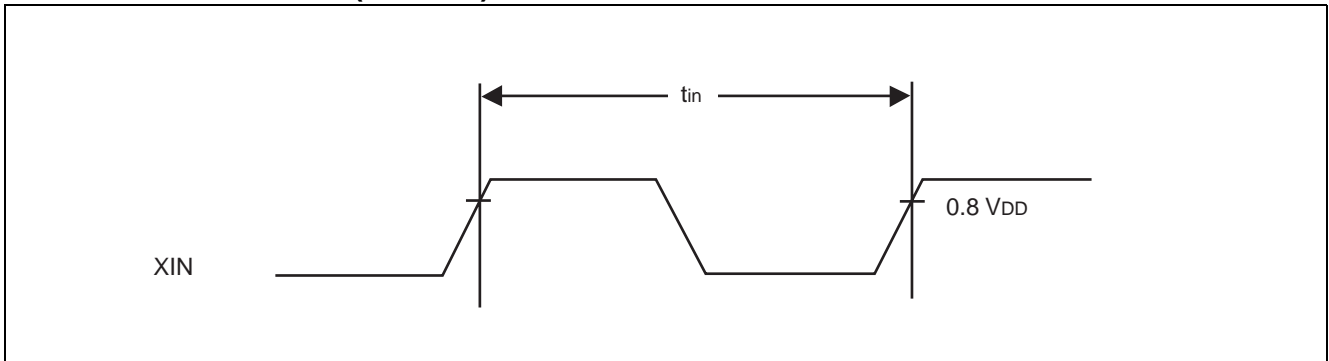
B. External clock input : The input level is Full-swing ( $V_{SS} - V_{DD}$ ).

\*2 : The modulation clock requires stabilization wait time after the IC is turned on or released from power-down mode, or after SEL (modulation factor) or ENS (modulation on/off) setting is changed. For the modulation clock stabilization wait time, assure the maximum value for the lock-up time.

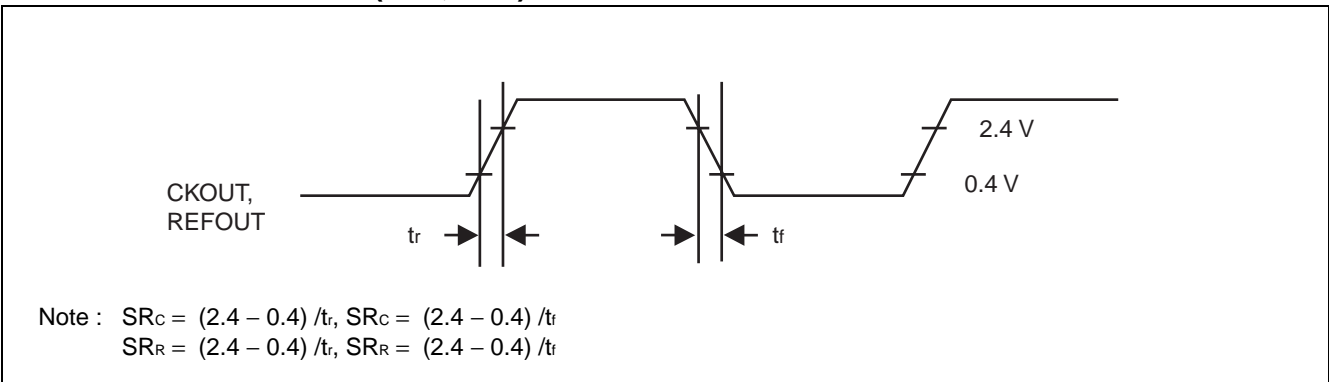
## ■ OUTPUT CLOCK DUTY CYCLE ( $t_{DCC}$ , $t_{DCR} = t_b/t_a$ )



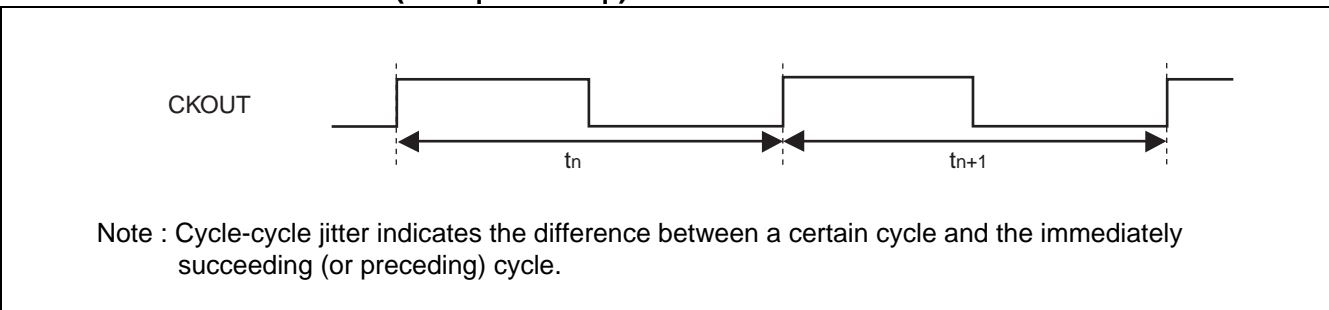
## ■ INPUT FREQUENCY ( $f_{in} = 1/t_{in}$ )



## ■ OUTPUT SLEW RATE ( $SR_C$ , $SR_R$ )

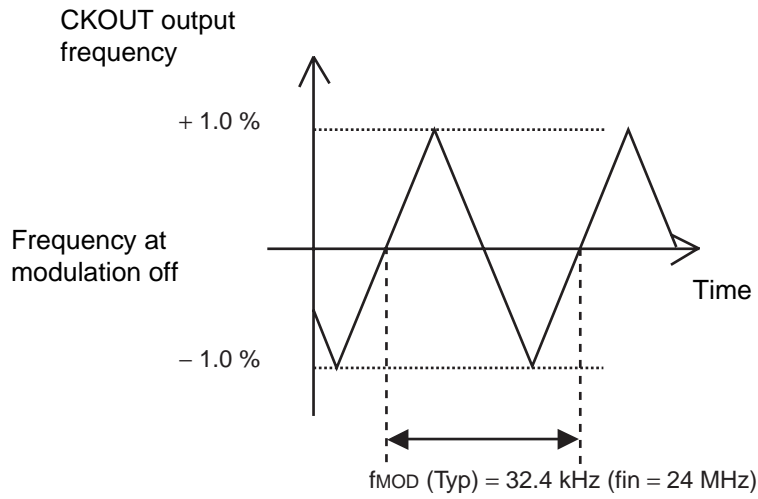


## ■ CYCLE-CYCLE JITTER ( $t_{JC} = |t_n - t_{n+1}|$ )

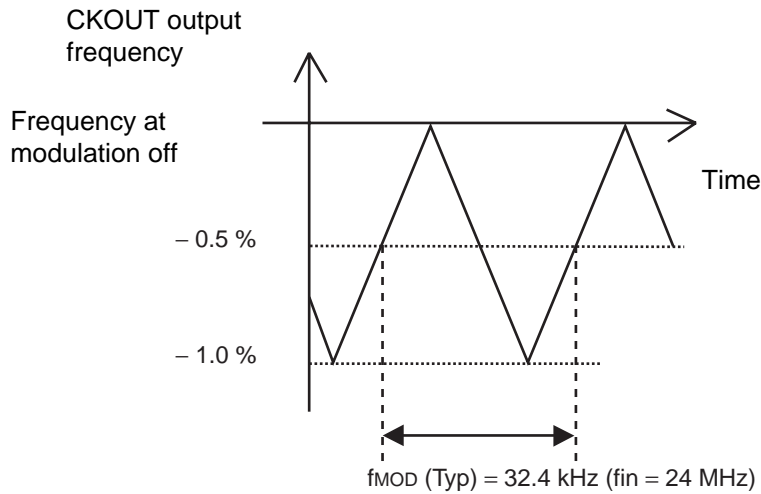


## ■ MODULATION WAVEFORM

- Modulation rate  $\pm 1.0\%$ , example of center spread

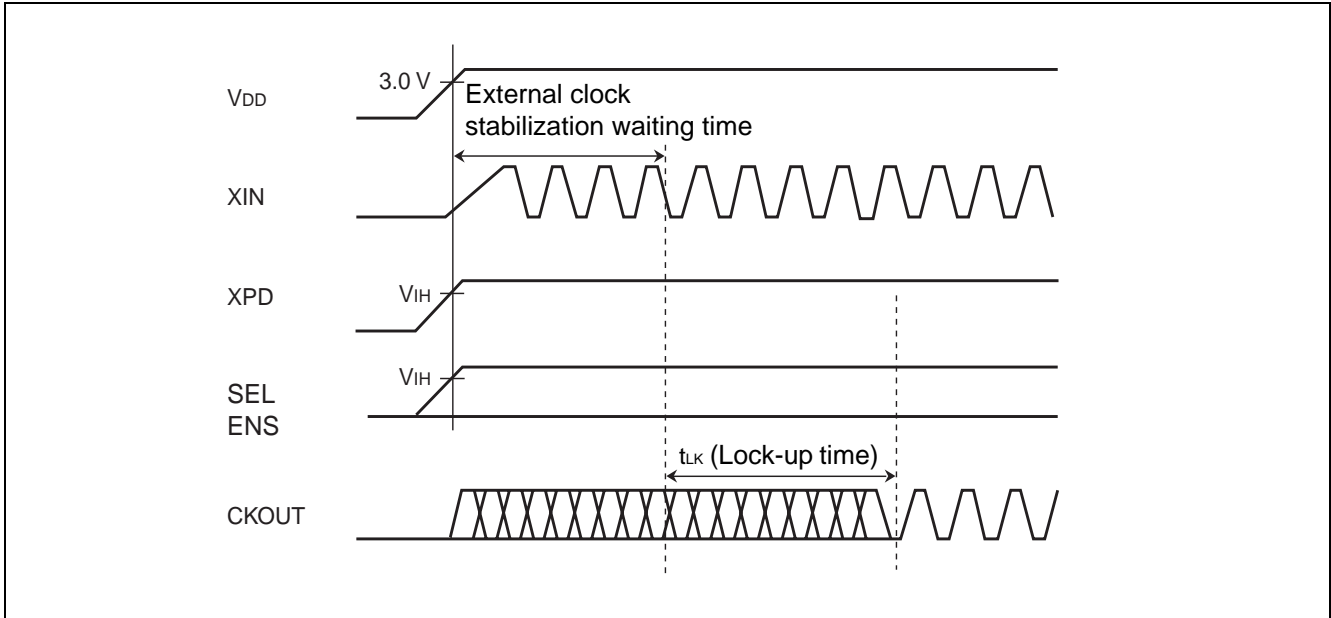


- Modulation rate  $-1.0\%$ , example of down spread

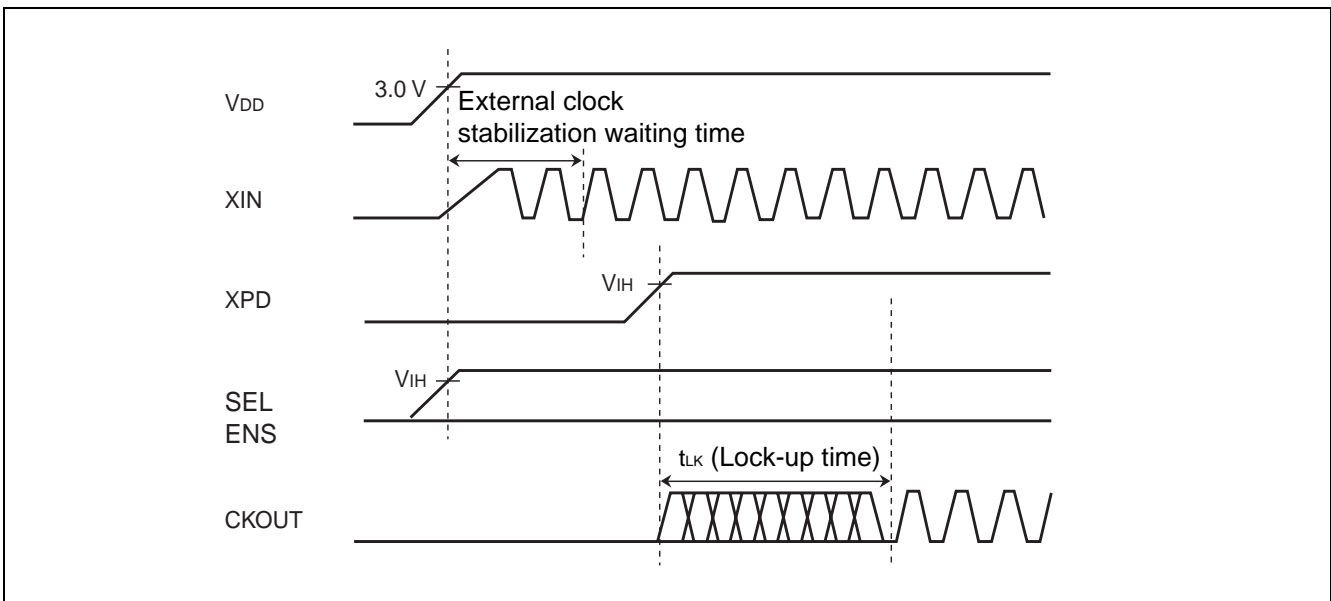




## ■ LOCK-UP TIME



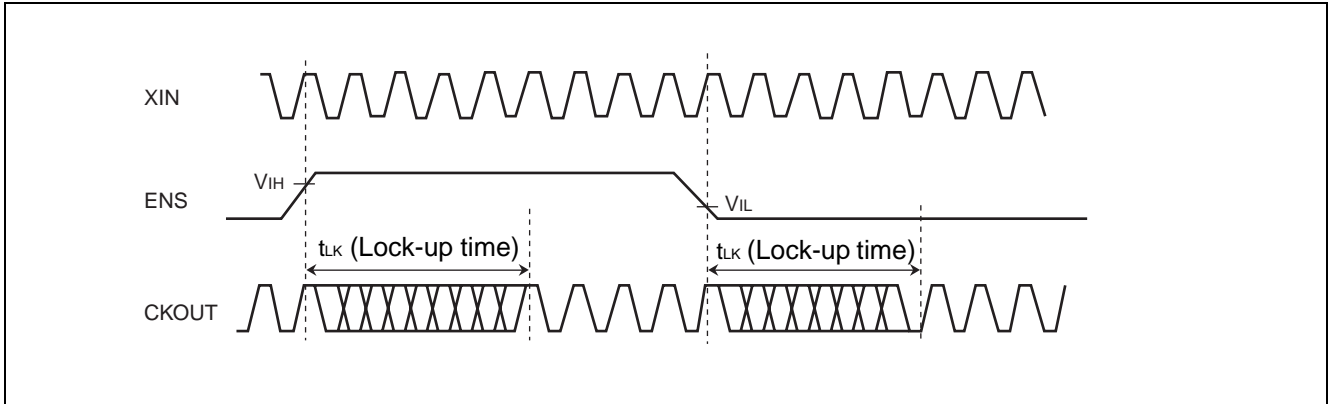
If the XPD pin is fixed at the “H” level, the maximum time after the power is turned on until the set clock signal is output from CKOUT pin is (the stabilization wait time of input clock to XIN pin) + (the lock-up time “t<sub>LK</sub>”). For the input clock stabilization time, check the characteristics of the resonator or oscillator used.



If the XPD pin is used for power-down control, the set clock signal is output from the CKOUT pin at most the lock-up time “t<sub>LK</sub>” after the XPD pin goes “H” level.

*(Continued)*

(Continued)



If the ENS pin is used for modulation enable control during normal operation, the set clock signal is output from the CKOUT pin at most the lock-up time " $t_{LK}$ " after the level at the ENS pin is determined.

Note : The wait time for the clock signal output from the CKOUT pin to become stable is required after the IC is released from power-down mode by the XPD pin or after another pin's setting is changed. During the period until the output clock signal becomes stable, neither of the output frequency, output clock duty cycle, modulation period, and cycle-cycle jitter characteristic cannot be guaranteed. It is therefore advisable to take action, such as cancelling a device reset at the stage after the lock-up time has passed.

## ■ OSCILLATION CIRCUIT

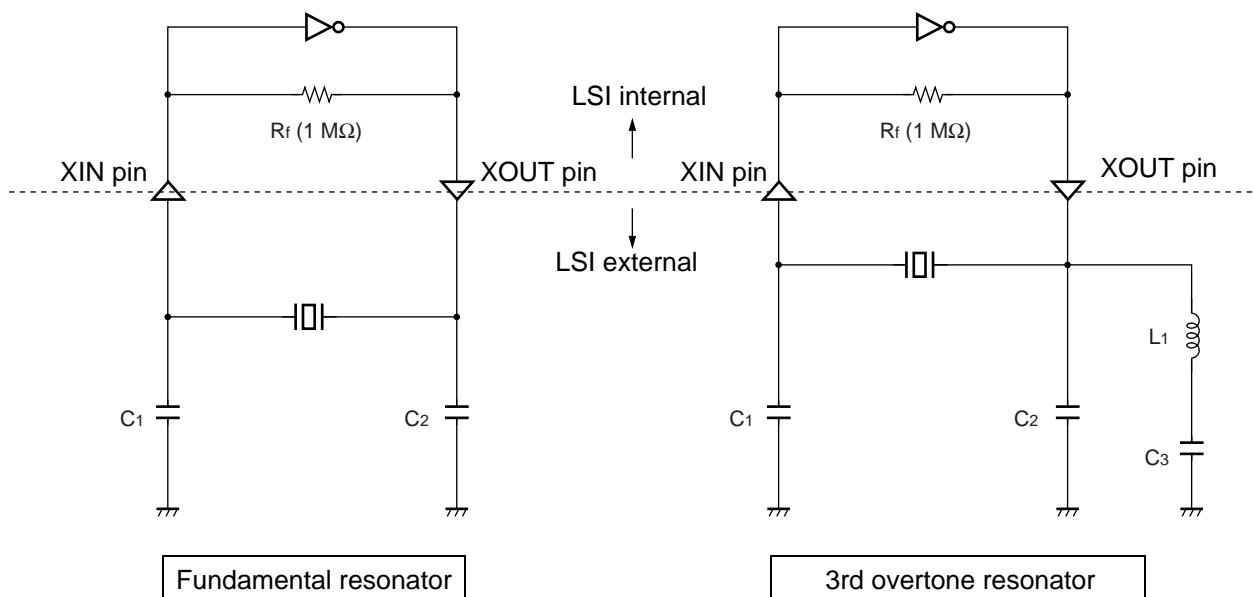
The following schematic on the left-hand side shows a sample connection of a general resonator. The oscillation circuit contains a feedback resistor ( $1\text{ M}\Omega$ ). The values of capacitors ( $C_1$  and  $C_2$ ) must be adjusted to the optimum constant of the resonator used.

The following schematic on the right-hand side shows a sample connection of a 3rd overtone resonator. The values of capacitors ( $C_1$ ,  $C_2$ , and  $C_3$ ) and inductor ( $L_1$ ) must be adjusted to the optimum constant of the resonator used.

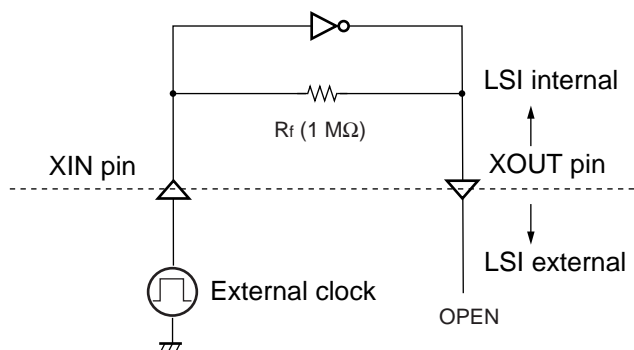
The most suitable value is different by individual resonator. Please refer to the resonator manufacturer which you use for the most suitable value.

To use an external clock signal (without using the resonator), input the clock signal to the XIN pin with the XOUT pin connected to nothing.

### • When using the resonator

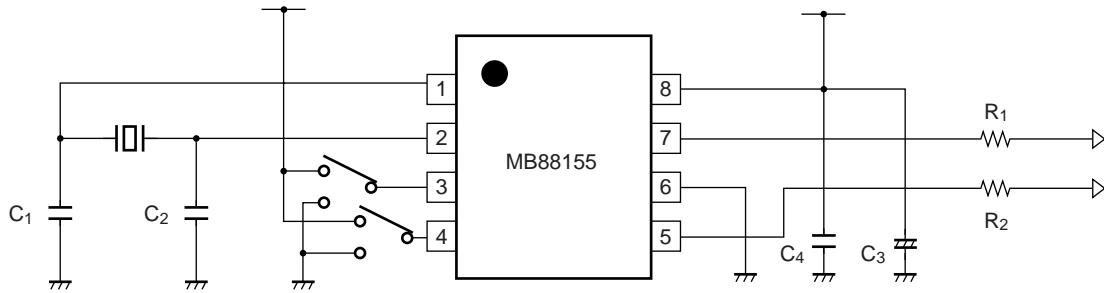


### • When using the external clock



Note : Note that the jitter characteristic of the input clock signal may affect the cycle-cycle jitter characteristic.

## ■ INTERCONNECTION CIRCUIT EXAMPLE



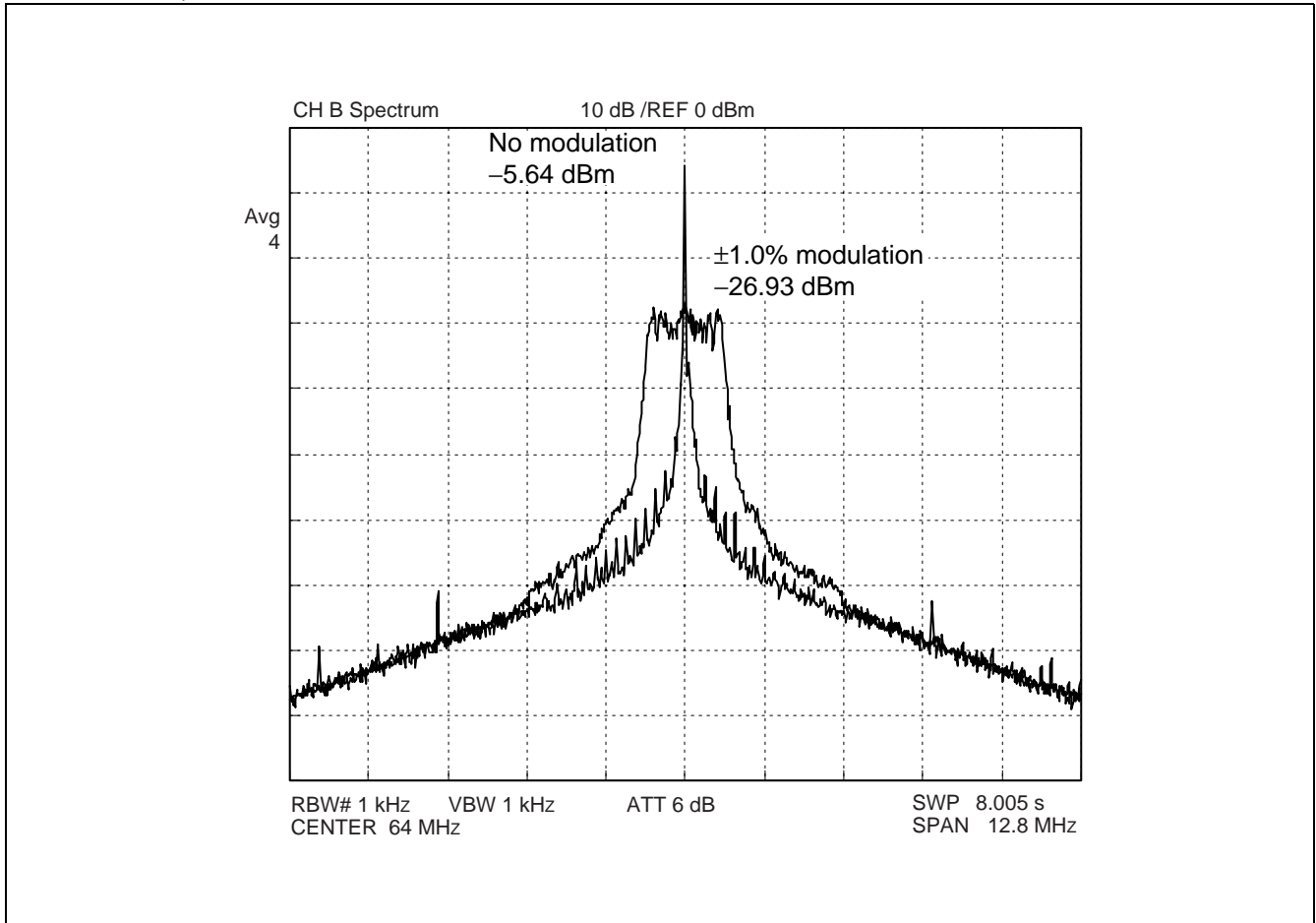
- C<sub>1</sub>, C<sub>2</sub> : Oscillation stabilization capacitance (see ■ OSCILLATION CIRCUIT)
- C<sub>3</sub> : Capacitor of 10  $\mu$ F or higher
- C<sub>4</sub> : Capacitor of about 0.01  $\mu$ F (connect a capacitor of good high frequency property (ex. laminated ceramic capacitor) to close to this device)
- R<sub>1</sub>, R<sub>2</sub> : Impedance matching resistor for board pattern

## ■ SPECTRUM EXAMPLE CHARACTERISTICS

The condition of the examples of the characteristic is shown as follows : Input frequency = 16 MHz (Output frequency = 64 MHz : Using MB88155-410 (Multiplied by 4) )

Power-supply voltage = 3.3 V, None load capacity. Modulation rate =  $\pm 1.0\%$  (center spread).

Spectrum analyzer HP4396B is connected with CKOUT. The result of the measurement with RBW = 1 kHz (ATT use for -6 dB) .



# MB88155

## ■ ORDERING INFORMATION

Part number	Input frequency	Multiplication rate	Output frequency	Modulation type	Modulation enable pin	Power down pin	Package	Remarks		
MB88155PFT-G-100-BNDE1	12.5 MHz to 25 MHz	Multiplied by 1	The same as input frequency	Down spread	Yes	No	8-pin plastic TSSOP (FPT-8P-M05)			
MB88155PFT-G-101-BNDE1	25 MHz to 50 MHz				No	Yes				
MB88155PFT-G-102-BNDE1	12.5 MHz to 25 MHz									
MB88155PFT-G-103-BNDE1	25 MHz to 50 MHz									
MB88155PFT-G-110-BNDE1	12.5 MHz to 25 MHz			Center spread	Yes	No				
MB88155PFT-G-111-BNDE1	25 MHz to 50 MHz				No	Yes				
MB88155PFT-G-112-BNDE1	12.5 MHz to 25 MHz									
MB88155PFT-G-113-BNDE1	25 MHz to 50 MHz									
MB88155PFT-G-400-BNDE1	12.5 MHz to 20 MHz	Multiplied by 4	50 MHz to 80 MHz	Down spread	Yes	No				
MB88155PFT-G-402-BNDE1					No	Yes				
MB88155PFT-G-410-BNDE1				Center spread	Yes	No				
MB88155PFT-G-412-BNDE1					No	Yes				
MB88155PFT-G-100-EFE1	12.5 MHz to 25 MHz	Multiplied by 1	The same as input frequency	Down spread	Yes	No			8-pin plastic TSSOP, (FPT-8P-M05)	Emboss taping (EF type)
MB88155PFT-G-101-EFE1	25 MHz to 50 MHz				No	Yes				
MB88155PFT-G-102-EFE1	12.5 MHz to 25 MHz									
MB88155PFT-G-103-EFE1	25 MHz to 50 MHz									
MB88155PFT-G-110-EFE1	12.5 MHz to 25 MHz			Center spread	Yes	No				
MB88155PFT-G-111-EFE1	25 MHz to 50 MHz				No	Yes				
MB88155PFT-G-112-EFE1	12.5 MHz to 25 MHz									
MB88155PFT-G-113-EFE1	25 MHz to 50 MHz									

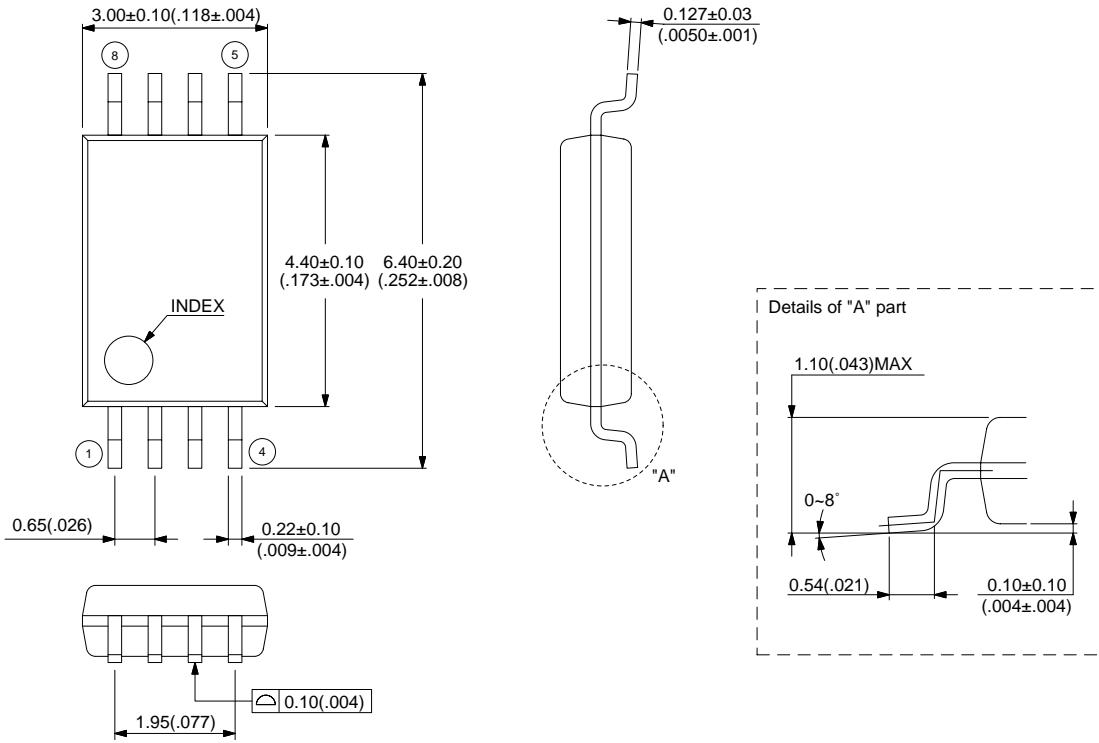
(Continued)

(Continued)

Part number	Input frequency	Multiplication rate	Output frequency	Modulation type	Modulation enable pin	Power down pin	Package	Remarks
MB88155PFT-G-400-EFE1	12.5 MHz to 20 MHz	Multiplied by 4	50 MHz to 80 MHz	Down spread	Yes	No	8-pin plastic TSSOP, (FPT-8P-M05)	Emboss taping (EF type)
MB88155PFT-G-402-EFE1					No	Yes		
MB88155PFT-G-410-EFE1				Center spread	Yes	No		
MB88155PFT-G-412-EFE1					No	Yes		
MB88155PFT-G-100-ERE1	12.5 MHz to 25 MHz	Multiplied by 1	The same as input frequency	Down spread	Yes	No	8-pin plastic TSSOP (FPT-8P-M05)	Emboss taping (ER type)
MB88155PFT-G-101-ERE1	25 MHz to 50 MHz				No	Yes		
MB88155PFT-G-102-ERE1	12.5 MHz to 25 MHz							
MB88155PFT-G-103-ERE1	25 MHz to 50 MHz							
MB88155PFT-G-110-ERE1	12.5 MHz to 25 MHz			Center spread	Yes	No		
MB88155PFT-G-111-ERE1	25 MHz to 50 MHz				No	Yes		
MB88155PFT-G-112-ERE1	12.5 MHz to 25 MHz							
MB88155PFT-G-113-ERE1	25 MHz to 50 MHz							
MB88155PFT-G-400-ERE1	12.5 MHz to 20 MHz	Multiplied by 4	50 MHz to 80 MHz	Down spread	Yes	No		
MB88155PFT-G-402-ERE1					No	Yes		
MB88155PFT-G-410-ERE1				Center spread	Yes	No		
MB88155PFT-G-412-ERE1					No	Yes		

## ■ PACKAGE DIMENSION

8-pin plastic TSSOP  
(FPT-8P-M05)



© 2002 FUJITSU LIMITED F08013Sc-1-1

Dimensions in mm (inches)  
Note : The values in parentheses are reference values.



## FUJITSU LIMITED

All Rights Reserved.

The contents of this document are subject to change without notice. Customers are advised to consult with FUJITSU sales representatives before ordering.

The information, such as descriptions of function and application circuit examples, in this document are presented solely for the purpose of reference to show examples of operations and uses of Fujitsu semiconductor device; Fujitsu does not warrant proper operation of the device with respect to use based on such information. When you develop equipment incorporating the device based on such information, you must assume any responsibility arising out of such use of the information. Fujitsu assumes no liability for any damages whatsoever arising out of the use of the information.

Any information in this document, including descriptions of function and schematic diagrams, shall not be construed as license of the use or exercise of any intellectual property right, such as patent right or copyright, or any other right of Fujitsu or any third party or does Fujitsu warrant non-infringement of any third-party's intellectual property right or other right by using such information. Fujitsu assumes no liability for any infringement of the intellectual property rights or other rights of third parties which would result from the use of information contained herein.

The products described in this document are designed, developed and manufactured as contemplated for general use, including without limitation, ordinary industrial use, general office use, personal use, and household use, but are not designed, developed and manufactured as contemplated (1) for use accompanying fatal risks or dangers that, unless extremely high safety is secured, could have a serious effect to the public, and could lead directly to death, personal injury, severe physical damage or other loss (i.e., nuclear reaction control in nuclear facility, aircraft flight control, air traffic control, mass transport control, medical life support system, missile launch control in weapon system), or (2) for use requiring extremely high reliability (i.e., submersible repeater and artificial satellite).

Please note that Fujitsu will not be liable against you and/or any third party for any claims or damages arising in connection with above-mentioned uses of the products.

Any semiconductor devices have an inherent chance of failure. You must protect against injury, damage or loss from such failures by incorporating safety design measures into your facility and equipment such as redundancy, fire protection, and prevention of over-current levels and other abnormal operating conditions.

If any products described in this document represent goods or technologies subject to certain restrictions on export under the Foreign Exchange and Foreign Trade Law of Japan, the prior authorization by Japanese government will be required for export of those products from Japan.