



Features

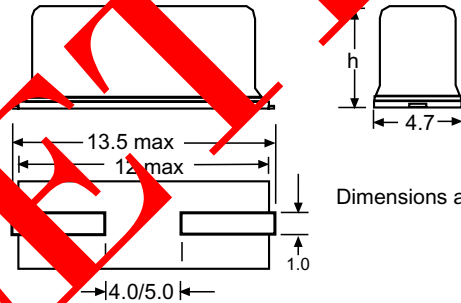
- Low profile
- Resistance Weld Package with insulator for SMD
- Wide Frequency & Stability Options
- IR Reflow Assembly Compatibility

Applications:

- Mobile & Wireless Equipment
- Datacom Hubs/Switches/Routers
- Telecom Switching & Computers
- TCXO - VCXO - PLL Synthesizer

Specifications

Frequency:	Fundamental Range	3.5-30Mhz
	3rd Overtone Range:	30-80 Mhz
Tolerance	10 to 50 ppm	
Stability vs Temp	20 to 50 ppm	
Aging	5 ppm per year, max.	
Shunt Capacitance	7 pf max	
Drive Level	10 uW to 1mW	
Temperatures	Storage from -40 to +85 Deg C	



Dimensions are in mm

XH HC-49S SMD Metal Can

Equivalent Series Resistance - Fundamental

Frequency (MHz)	ESR, max Ohms	Frequency (MHz)	ESR, max Ohms	Frequency (MHz)	ESR, max. Ohms
3.5-3.999	200	3.0-8.999	70	15-15.999	60
4.0-5.999	150	9.0-14.999	80	16-23.999	50
6.0-7.999	120	15.0-23.999	70	24.0-30.0	40

Equivalent Series Resistance - Overtone

Frequency (MHz)	ESR, max. (Ohms)
30.0-80.0	

Part Number Description (Example: XHA-18-F-30-A-A-9.8304-T)

	XHA-	18-	F-	30-	A-	A-	9.8304-	T	
Model	Load	Mode	Tolerance	Stability	Temperature Range	Frequency in MHz	Packaging		
XHA=HC49S	18=18pf	F=Fundamental	@ 25 C	Ref 25 C	A= -10 to 60 C		T=Tape & Reel		
Height=4.4mm (Standard)	16=16pf	T=3rd OT	50=50ppm	A=50ppm	B= -20 to 70 C		B=Bulk		
	S=Series		30=30ppm	B=30ppm	C= -40 to 85 C				
	15=15pf		15=15ppm	C=20ppm					
XHB=HC49S	32=32pf		10=10ppm						
Height=3.2 mm (Special Option)									