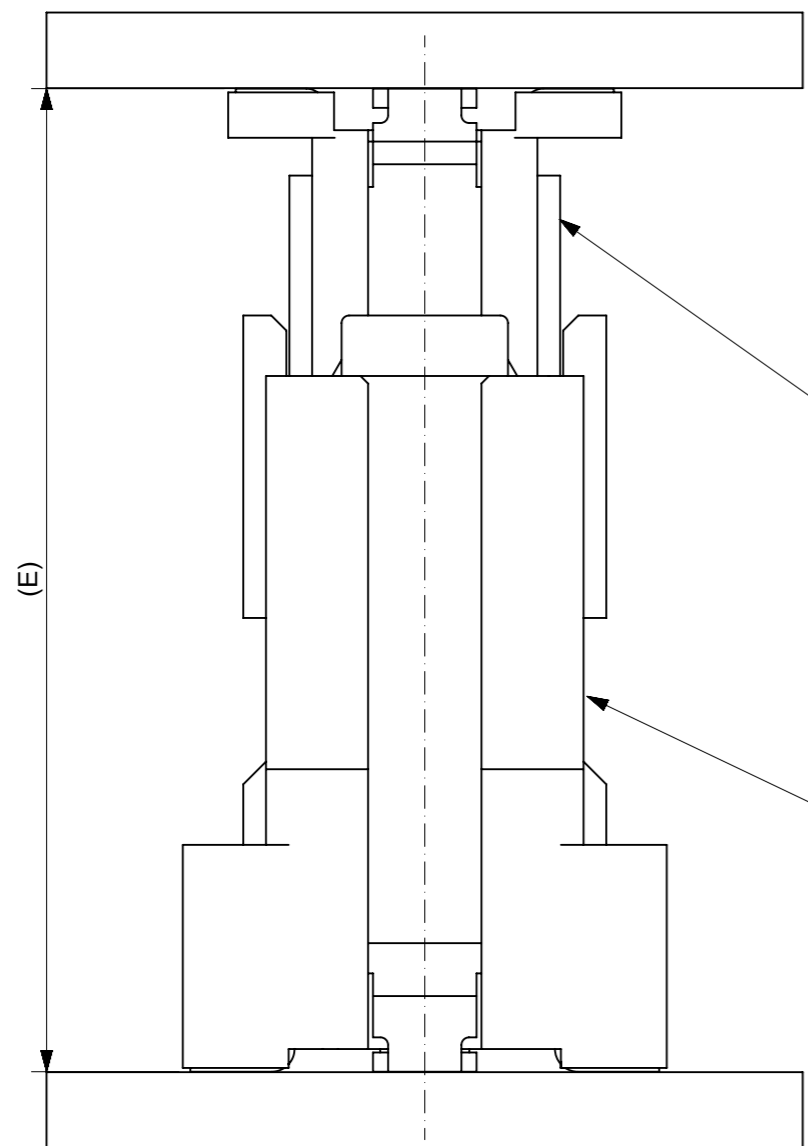


注) NOTES

- 材質
MATERIAL
ハウジング : ガラス入りLCP、黒色、UL94V-0
HOUSING: LIQUID CRYSTAL POLYMER (LCP), GLASS FILLED, BLACK, UL94V-0
ターミナル : 銅合金 (t=0.2)
TERMINAL: COPPER ALLOY
吸着カバー : ステンレス (t=0.2)
VACUUM COVER: STAINLESS STEEL
補強金具 : 銅合金 (t=0.25)
FITTING NAIL: COPPER ALLOY
- メッキ仕様
PLATING
ターミナル : 接点部 : 金メッキ 0.25 マイクロメートル以上。
TERMINAL CONTACT AREA : GOLD 0.25 MICROMETER MINIMUM.
半田付け部 : 錫メッキ 1.0 マイクロメートル以上。
SOLDER TAIL AREA : TIN 1.0 MICROMETER MINIMUM.
下地メッキ : ニッケルメッキ 1.5 マイクロメートル以上。
UNDER-PLATING : NICKEL 1.5 MICROMETER MINIMUM.
補強金具 : 錫メッキ 1.0 マイクロメートル以上。
FITTING NAIL TIN 1.0 MICROMETER MINIMUM.
下地メッキ : ニッケルメッキ 1.0 マイクロメートル以上。
UNDER-PLATING: NICKEL 1.0 MICROMETER MINIMUM.
- テールのバラツキ寸法
TAIL COPLANARITY
テール及び金具の平坦度は、0.1以下とする。
TAIL AND FITTING NAIL COPLANARITY TO BE 0.1 MAXIMUM.
- エンボス対応済みの極数については、SD-55091-007を参照下さい。
FOR THE EMBOSSED PACKAGE PRODUCTS, SEE SD-55091-007.
- 本製品は55091-***2の鉛フリー品である。
THIS PRODUCT IS LEAD FREE OF 55091-***2.

無し WITHOUT	79.17	78.07	75.565	83.07	-	-	240
	66.47	65.37	62.865	70.37	55091-2074	55091-2075	200
	60.12	59.02	56.515	64.02	-	-	180
	53.77	52.67	50.165	57.67	55091-1674	-	160
	47.42	46.32	43.815	51.32	55091-1474	-	140
	41.07	39.97	37.465	44.97	55091-1274	-	120
	34.72	33.62	31.115	38.62	55091-1074	-	100
	31.55	30.45	27.94	35.45	55091-0974	-	90
有り WITH	28.37	27.27	24.765	32.27	55091-0874	-	80
	25.2	24.1	21.59	29.1	55091-0774	-	70
	22.02	20.92	18.415	25.92	55091-0674	-	60
	18.85	17.75	15.24	22.75	55091-0574	-	50
	15.67	14.57	12.065	19.57	55091-0474	-	40
	12.5	11.4	8.89	16.4	55091-0374	-	30
ハウジングロック HSG LOCK	9.32	8.22	5.715	13.22	55091-0274	-	20
						エンボス梱包 EMBOSSED PACKAGE	スティック梱包 STICK PACKAGE
オーダー番号 ORDER NO.							

GENERAL TOLERANCES (UNLESS SPECIFIED)		THIS DRAWING CONTAINS INFORMATION THAT IS PROPRIETARY TO MOLEX ELECTRONIC TECHNOLOGIES, LLC AND SHOULD NOT BE USED WITHOUT WRITTEN PERMISSION	
10 UNDER	± 0.2	DIMENSION UNITS	SCALE
10 OVER 30 UNDER	± 0.25	mm	-
30 OVER	± 0.3	CURRENT REV DESC:	
ANGULAR ± 3 °		EC NO: 627249	
DRAFT WHERE APPLICABLE MUST REMAIN WITHIN DIMENSIONS		DRWN: JFURUKAWA 2019/11/08	
		CHK'D: HSHIMOYAMA 2019/11/14	
DRAFT WHERE APPLICABLE MUST REMAIN WITHIN DIMENSIONS		APPR: SHOSHIKAWA 2020/01/13	
		INITIAL REVISION:	
DRAFT WHERE APPLICABLE MUST REMAIN WITHIN DIMENSIONS		DRWN: HKAWABATA 2004/03/31	
		APPR: MSASAO 2004/04/01	
DRAFT WHERE APPLICABLE MUST REMAIN WITHIN DIMENSIONS		THIRD ANGLE PROJECTION	DRAWING
			A3-SIZE
DRAFT WHERE APPLICABLE MUST REMAIN WITHIN DIMENSIONS		SERIES	MATERIAL NUMBER
		55091	SEE CHART
DRAFT WHERE APPLICABLE MUST REMAIN WITHIN DIMENSIONS		CUSTOMER	SHEET NUMBER
		GENERAL MARKET	1 OF 2



55091 series
53625 series
53647 series
53649 series
53627 series
Plug

52885 series
52901 series
Receptacle

嵌合高さ一覧 Stacking Height variation			
○	6	52885 series	55091 series
	7		53625 series
	8		53647 series
	9		53649 series
	10		53627 series
○	12	52901 series	55091 series
	13		53625 series
	14		53647 series
	15		53649 series
	16		53627 series
本図製品該当高さ Height Application	嵌合高さ E Stacking Height	リセプタクル Receptacle	プラグ Plug

GENERAL TOLERANCES (UNLESS SPECIFIED)		THIS DRAWING CONTAINS INFORMATION THAT IS PROPRIETARY TO MOLEX ELECTRONIC TECHNOLOGIES, LLC AND SHOULD NOT BE USED WITHOUT WRITTEN PERMISSION	
10 UNDER	± 0.2	DIMENSION UNITS	SCALE
10 OVER 30 UNDER	± 0.25	mm	-
30 OVER	± 0.3	CURRENT REV DESC:	
ANGULAR	± 3 °	EC NO: 627249	
DRAFT WHERE APPLICABLE MUST REMAIN WITHIN DIMENSIONS		DRWN: JFURUKAWA 2019/11/08	
		CHK'D: HSHIMOYAMA 2019/11/14	
		APPR: SHOSHIKAWA 2020/01/13	
		INITIAL REVISION:	
		DRWN: HKAWABATA 2004/03/31	
		APPR: MSASAO 2004/04/01	
		THIRD ANGLE PROJECTION	DRAWING
			A3-SIZE
		SERIES	MATERIAL NUMBER
		55091	SEE CHART
		CUSTOMER	SHEET NUMBER
		GENERAL MARKET	2 OF 2

molex

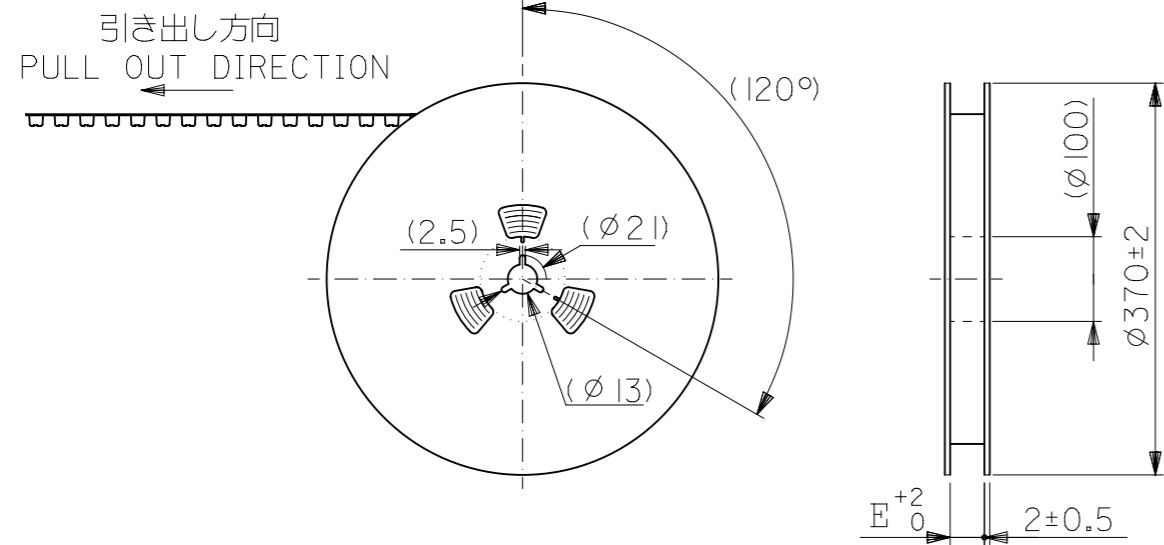
0.635 PITCH B-TO-B
PLUG HS'G COVER ASS'Y -LEAD FREE-

PRODUCT CUSTOMER DRAWING

DOCUMENT NUMBER: SD-55091-006
DOC TYPE: PSD
DOC PART: 001
REVISION: L

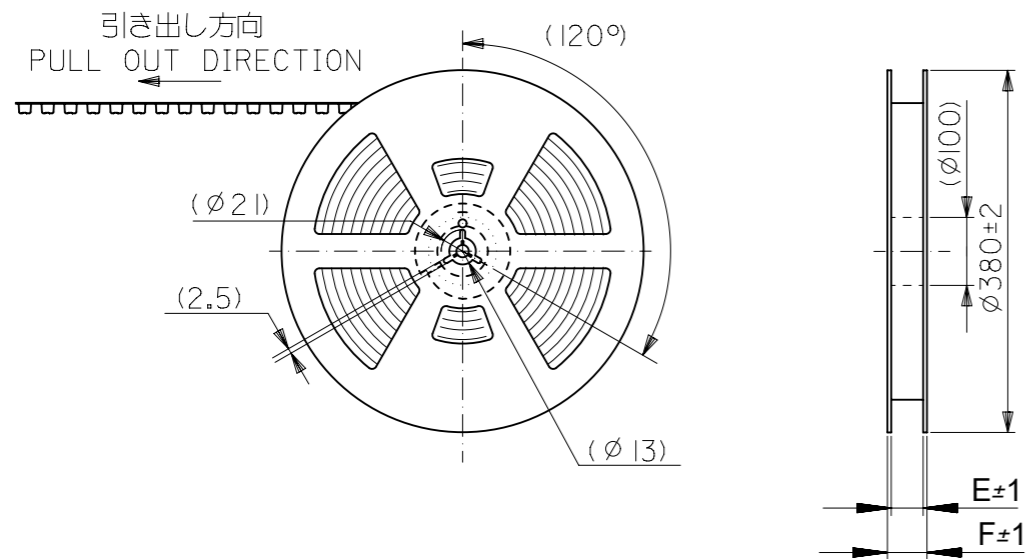
CUSTOMER: GENERAL MARKET

20 ~ 160CKT



キャリアテープ幅：24mm~72mm
CARRIER TAPE WIDTH : 24mm-72mm

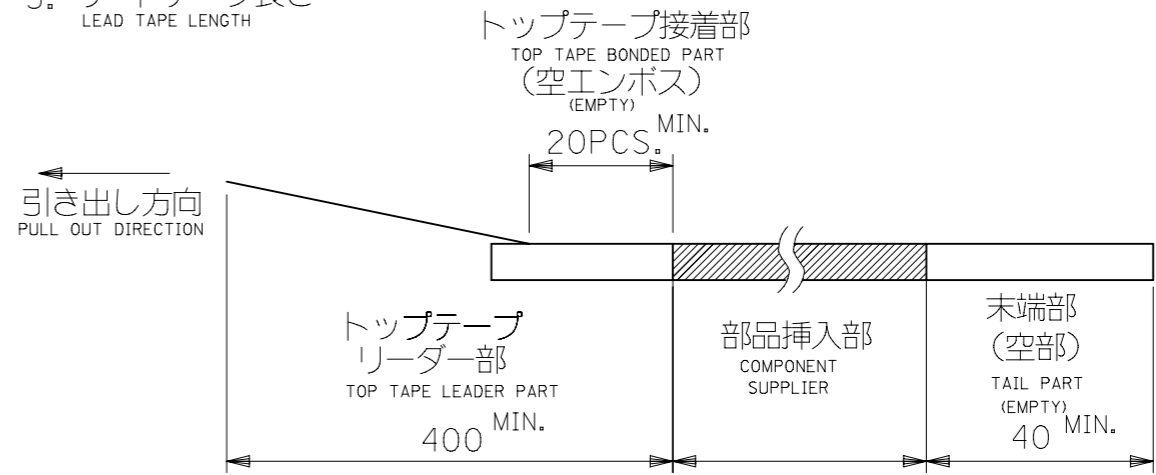
200CKT



キャリアテープ幅：88 mm
CARRIER TAPE WIDTH : 88 mm

注)
NOTES

- 製品番号 55091-***72 の詳細寸法については、SD-55091-006 を参照下さい。
IN THE PACKAGE , PART NO. 55091-***72 DETAILED DIMENSIONS , SEE SD-55091-006.
- 梱包数量 : 1000 個/リール
NUMBER OF CONNECTORS : 1000 PCS/REEL
- リードテープ長さ
LEAD TAPE LENGTH



4. 材料

MATERIAL

キャリアテープ : ポリプロピレン (PP) : 20 ~ 160 極
ポリスチレン (PS) : 200 極

CARRIER TAPE : POLYPROPYLENE (PP) : 30, 40, 50, 80, 90, 120, 140, 160, 200CKT
POLYSTYRENE (PS) : 20, 60, 70, 100, 180, 200CKT

トップテープ : PET, PE, PEF

TOP TAPE : PET, PE, PEF

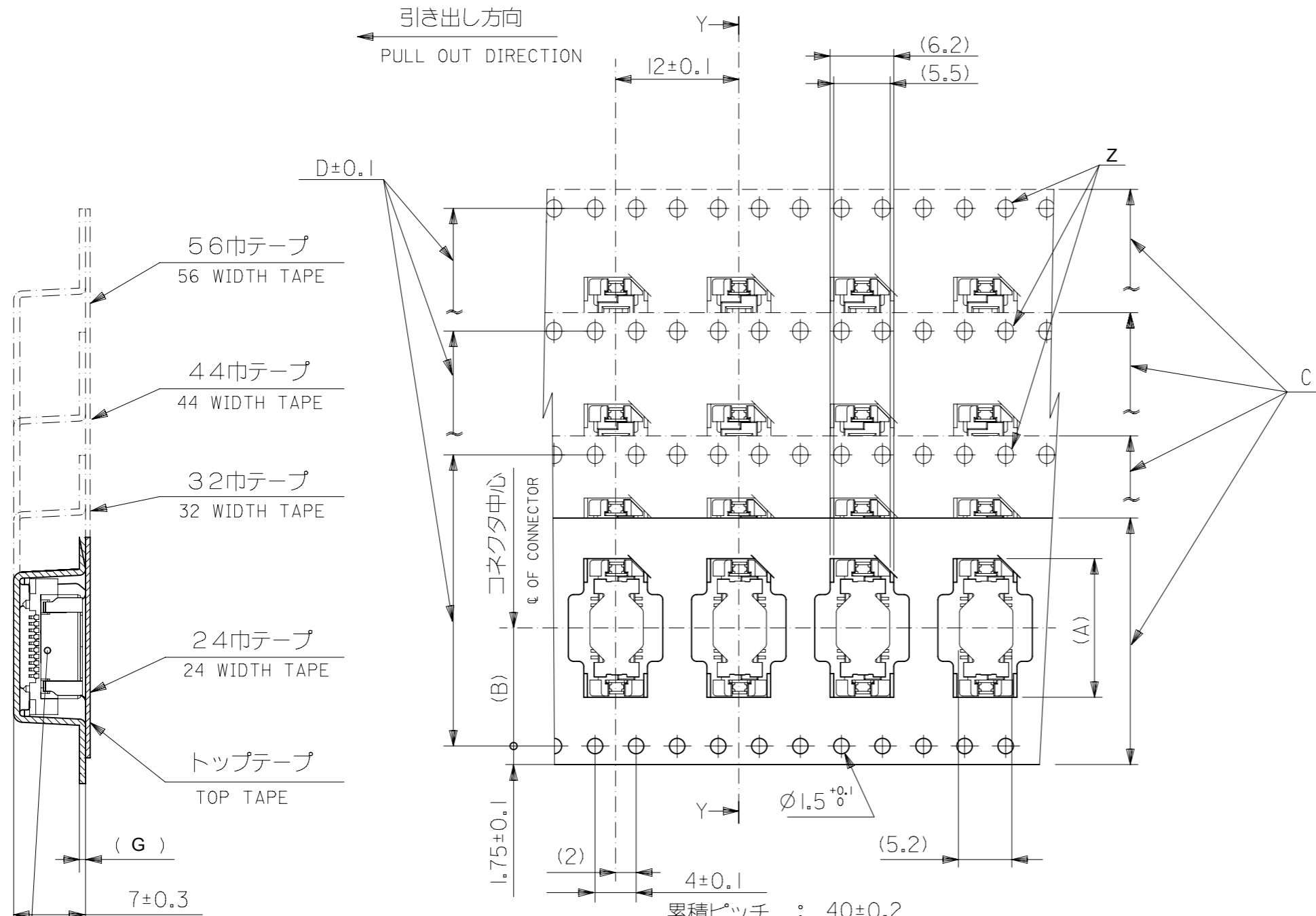
リール : キャリアテープ幅 24mm~72mm : 紙
REEL : CARRIER TAPE WIDTH 24mm-72mm : CARD BOARD

キャリアテープ幅 88mm : ポリスチレン
CARRIER TAPE WIDTH 88mm : POLYSTYRENE

- 本製品は55091-***4の鉛フリー品である。
THIS PRODUCT IS LEAD FREE OF 55091-***4.

THIS DRAWING CONTAINS INFORMATION THAT IS PROPRIETARY TO MOLEX ELECTRONIC TECHNOLOGIES, LLC AND SHOULD NOT BE USED WITHOUT WRITTEN PERMISSION		CURRENT REV DESC:		molex	
DIMENSION UNITS	SCALE				
mm	-			PRODUCT CUSTOMER DRAWING	
GENERAL TOLERANCES (UNLESS SPECIFIED)		EC NO: 175909		DOCUMENT NUMBER	
ANGULAR TOL	± 30°	DRWN: RMIYAMOTO 2018/03/16		SD-55091-007	
4 PLACES	± 0.2	CHK'D: KSASAKI 2018/05/01		DOC TYPE	DOC PART
3 PLACES	± 0.25	APPR: RTAKEUCHI 2018/05/01		PSD	001
2 PLACES	± 0.3	INITIAL REVISION:		REVISION	F
1 PLACE	± 0.2	DRWN: HKAWABATA 2004/03/31			
0 PLACES	±	APPR: MSASAO 2004/04/01			
DRAFT WHERE APPLICABLE MUST REMAIN WITHIN DIMENSIONS		THIRD ANGLE PROJECTION	DRAWING	SERIES	MATERIAL NUMBER
			A3-SIZE	55091	SEE CHART
					CUSTOMER
					GENERAL MARKET
					SHEET NUMBER
					1 OF 3

引き出し方向
PULL OUT DIRECTION



56巾テープ
56 WIDTH TAPE

44巾テープ
44 WIDTH TAPE

32巾テープ
32 WIDTH TAPE

24巾テープ
24 WIDTH TAPE

トップテープ
TOP TAPE

55091-**72
CONNECTOR

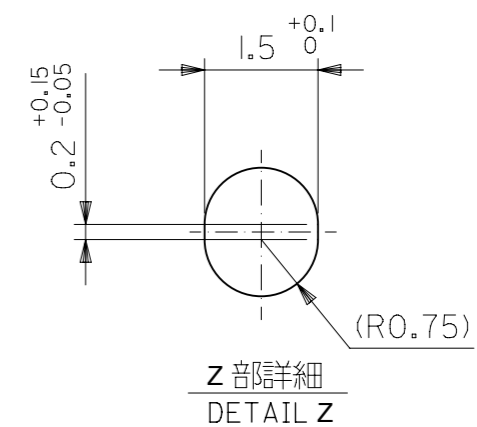
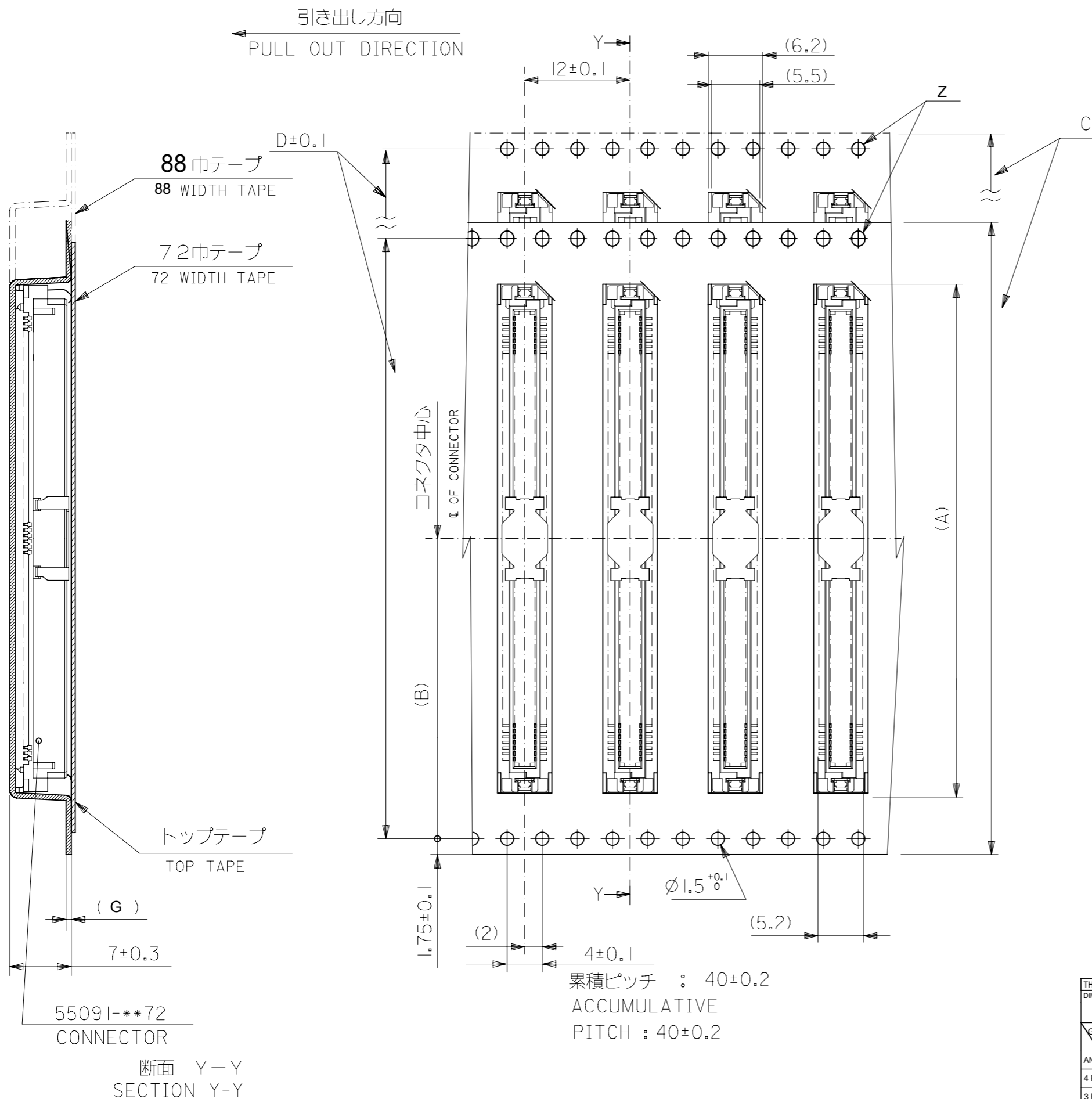
断面 Y-Y
SECTION Y-Y

累積ピッチ : 40±0.2
ACCUMULATIVE
PITCH : 40±0.2

CARD BOARD	PP	0.6	-	56.4	52.4	56±0.3	26.2	38.9	55091-1074	100	
								35.8	55091-0974	90	
								32.6	55091-0874	80	
								29.4	55091-0774	70	
								26.2	55091-0674	60	
								23.1	55091-0574	50	
				32.4	28.4	32±0.3	14.2	19.9	55091-0474	40	
				24.4	-	24±0.3	11.5	16.7	55091-0374	30	
								13.5	55091-0274	20	
リール REEL	キャリアテープ CARRIER TAPE	G	F	E	D	C キャリアテープ幅 CARRIER TAPE WIDTH		B	A	オーダー番号 ORDER NO.	極数 CKT

THIS DRAWING CONTAINS INFORMATION THAT IS PROPRIETARY TO MOLEX ELECTRONIC TECHNOLOGIES, LLC AND SHOULD NOT BE USED WITHOUT WRITTEN PERMISSION

DIMENSION UNITS mm	SCALE -	CURRENT REV DESC:		molex	
GENERAL TOLERANCES (UNLESS SPECIFIED)					
ANGULAR TOL ± 30°		EC NO: 175909		55091-**72 TAPING PACKAGE -LEAD FREE-	
4 PLACES ± 0.2		DRWN: RMIYAMOTO	2018/03/16	PRODUCT CUSTOMER DRAWING	
3 PLACES ± 0.25		CHK'D: KSASAKI	2018/05/01	DOCUMENT NUMBER	
2 PLACES ± 0.3		APPR: RTAKEUCHI	2018/05/01	SD-55091-007	
1 PLACE ± 0.2		INITIAL REVISION:		DOC TYPE	DOC PART
0 PLACES ±		DRWN: HKAWABATA	2004/03/31	PSD	001
		APPR: MSASAO	2004/04/01		F
DRAFT WHERE APPLICABLE MUST REMAIN WITHIN DIMENSIONS	THIRD ANGLE PROJECTION	DRAWING	SERIES	MATERIAL NUMBER	CUSTOMER
		A3-SIZE	55091	SEE CHART	GENERAL MARKET
					SHEET NUMBER
					2 OF 3



PS	PS	0.5	94	90	84.4	88±0.3	42.2	70.7	55091-2074	200
CARD BOARD	PP	0.6	-	72.4	68.4	72±0.3	34.2	58.0	55091-1674	160
								51.6	55091-1474	140
								45.3	55091-1274	120
リール REEL	キャリアテープ CARRIER TAPE	G	F	E	D	C キャリアテープ幅 CARRIER TAPE WIDTH	B	A	オーダー番号 ORDER NO.	極数 CKT

THIS DRAWING CONTAINS INFORMATION THAT IS PROPRIETARY TO MOLEX ELECTRONIC TECHNOLOGIES, LLC AND SHOULD NOT BE USED WITHOUT WRITTEN PERMISSION

DIMENSION UNITS	SCALE	CURRENT REV DESC:		molex	
mm	-				
GENERAL TOLERANCES (UNLESS SPECIFIED)		EC NO: 175909		55091-**72 TAPING PACKAGE -LEAD FREE-	
ANGULAR TOL ± 30°		DRWN: RMIYAMOTO 2018/03/16		PRODUCT CUSTOMER DRAWING	
4 PLACES ± 0.2		CHK'D: KSASAKI 2018/05/01		DOCUMENT NUMBER	
3 PLACES ± 0.25		APPR: RTAKEUCHI 2018/05/01		SD-55091-007	
2 PLACES ± 0.3		INITIAL REVISION:		DOC TYPE	
1 PLACE ± 0.2		DRWN: HKAWABATA 2004/03/31		PSD	
0 PLACES ±		APPR: MSASAO 2004/04/01		DOC PART	
DRAFT WHERE APPLICABLE MUST REMAIN WITHIN DIMENSIONS		THIRD ANGLE PROJECTION		REVISION	
		DRAWING		F	
		SERIES		SHEET NUMBER	
		A3-SIZE		3 OF 3	
		MATERIAL NUMBER		CUSTOMER	
		55091		GENERAL MARKET	
		SEE CHART			