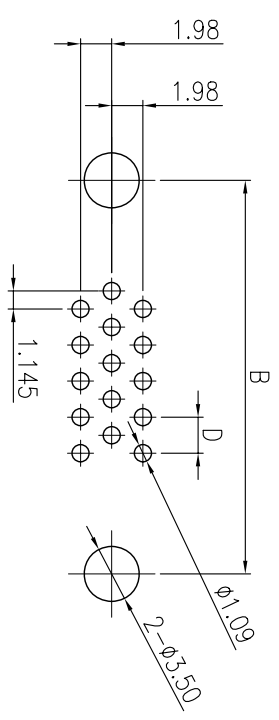
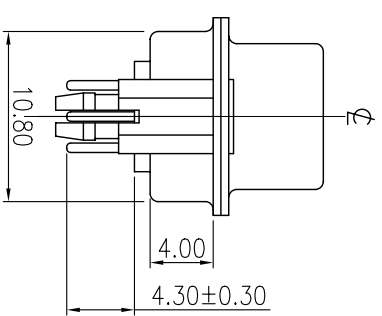
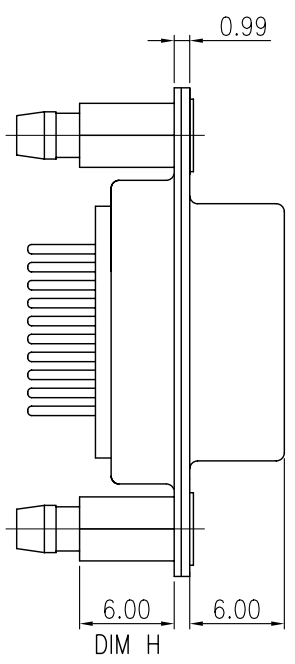
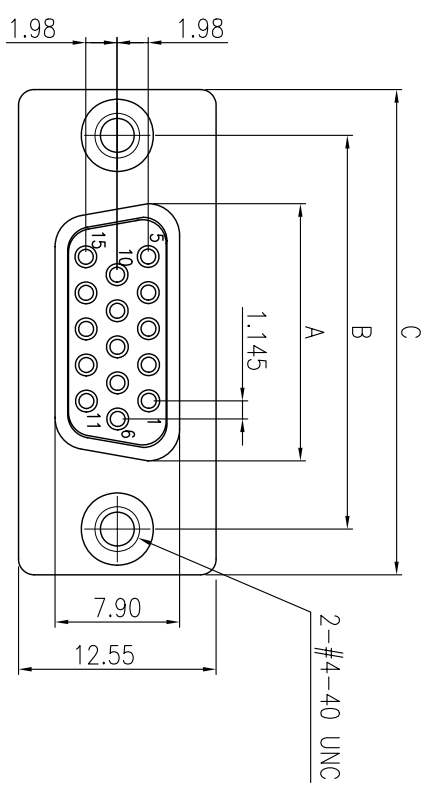


VI.1 NOTE: THIS DEVICE IS ROHS COMPLIANT.

		REVISIONS					
SYM	DISCRIPTION	DATE	APPROVED	SYM	DISCRIPTION	DATE	APPROVED
△	NOTE ROHS STANDARD	10/Apr/06	AARON	△			
△				△			

****CUSTOMER DRAWING FOR REFERENCE ONLY, SAMPLES APPROVAL ARE REQUIRED!!**



ELECTRICAL CHARACTERISTICS:

CURRENT RATING: 5 AMP
 WITHSTANDING VOLTAGE: AC1000V OHMS
 INSULATION RESISTANCE: 5000 MEGOHMS MINIMUM AT DC 500V
 CONTACT RESISTANCE: 15 m OHMS MAX
 OPERATING TEMPERATURE: -55°C ~ 105°C
MECHANICAL CHARACTERISTICS:
 CONTACT INSERTION FORCE: 34.1g MAX
 CONTACT REPARATION FORCE: 20g min
MATERIALS:
 CONTACTS: PHOSPHOR BRONZE
 HOUSING: PBT
 SHELL: GOLD ROLLER STEEL
 FINISH CONTACT: GOLD FLUSH
 SHELL: NICKEL PLATED

ORDER INFORMATION:

HDB200-PFXXGX-K6
 HDB: HIGH DENSITY D-SUB CONNECTOR
 200: SERIES NO.
 P: PCB TYPE, STRAIGHT
 F: FEMALE
 XX: NO. OF CONTACTS
 GX: PLATING OPTION
 -G: GOLD FLUSH OVER ALL
 -Gt: GOLD FLUSH ON CONTACT, TIN PLATING ON SOLDER TAIL
 -G15t: 15u" GOLD ON CONTACT, TIN PLATING ON SOLDER TAIL
 -G30t: 30u" GOLD ON CONTACT, TIN PLATING ON SOLDER TAIL
 K: MOUNTING OPTIONS, WITH #4-40UNC IN THE REAR SHELL USE RIVET AS BOARDLOCK
 X: BOARDLOCK LENGTH, DIM H = 6.00

PART NO.	NO. OF CONTACT	DIMENSIONS			
		A	B	C	D
HDB200-PF15GX-K6	15 (5,5,5)	16.33	24.99	30.61	2.29
HDB200-PF26GX-K6	26 (9,9,8)	24.66	33.32	39.14	2.29
HDB200-PF44GX-K6	44 (15,14,15)	38.38	47.04	53.04	2.29
HDB200-PF62GX-K6	62 (21,20,21)	54.84	63.50	69.32	2.41

TOLERANCES UNLESS OTHERWISE SPECIFIED		SIGNATURES		DATE		MODEL	
±0.25		DRAWN	TONY	17/oct/03		TITLE	HD D-SUB CONNECTOR
		CHECKED	ZOLA	17/oct/03		NO.	HDB200-PF__G__-K6
SYMBOL	UNIT	SCALE	APPROVALS				
△	mm	3/1					

MMT CORPORATION