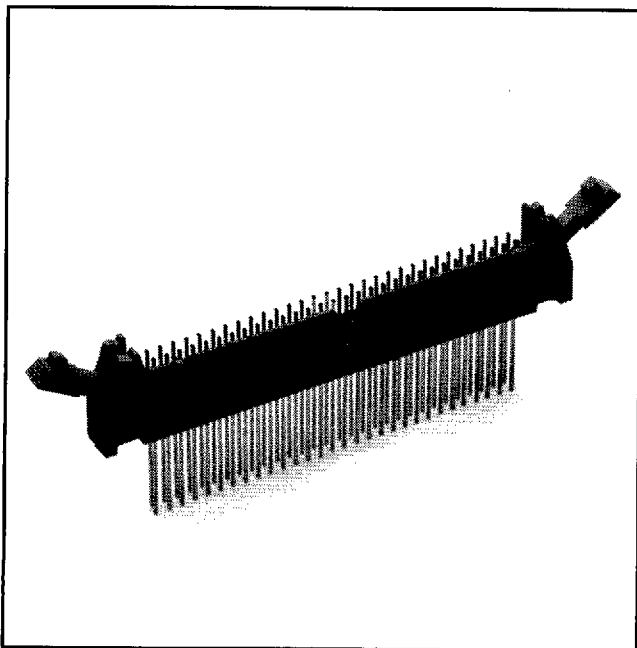


.100" x .100" Straight Header

3 Wall, MIL-C-83503/21 Qualified



164

TS-0131-06
Sheet 1 of 3

- Meets all dimensional and performance requirements of MIL-C-83503
- Mounting holes for securing header to board
- 3 wall shrouded to prevent physical and chemical pin damage
- Solder tail and wrap post tail options

Physical

Insulation

Material: Glass Filled Polyester (PBT) Per MIL-M-24519
Flammability: UL 94V-0
Color: Gray

Contact

Material: Phosphor Bronze Per QQ-B-750
Plating
Underplate: 100 μ " [2.54 μ m] Nickel — QQ-N-290, Class 2
Wiping Area: 50 μ " [1.27 μ m] Gold — MIL-G-45204, Type II, Grade C, Class I
Solder Tails: 200 μ " [5.08 μ m] Tin Lead — MIL-P-81728
Wrappost: 50 μ " [1.27 μ m] Gold — MIL-G-45204, Type II, Grade C, Class I
Marking: 3M Logo, Part Identification Number and Orientation Triangle

Electrical

Current Rating: 1 A
Insulation Resistance: $> 1 \times 10^9 \Omega$ at 500 VDC
Withstanding Voltage: 1000 Vrms to Sea Level

Environmental

Temperature Rating: -55°C to $+120^\circ\text{C}$

CAGE (FSCM) No.: 53387
UL File No.: E68080
CSA File No.: LR 40791

3M Electronic Products Division

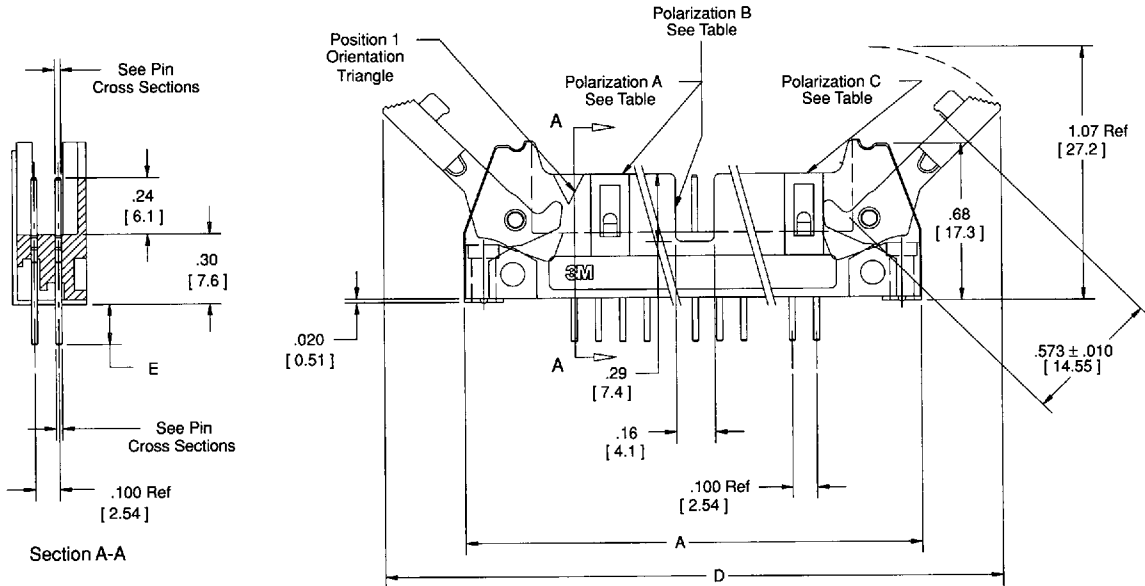
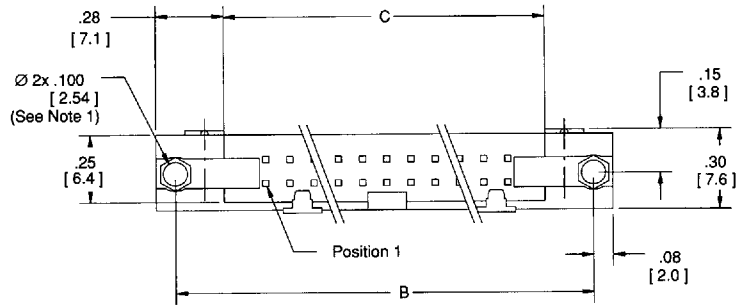
6801 River Place Blvd.
Austin, TX 78726-9000

■ 9005413 0000457 6T3 ■



.100" x .100" Straight Header

3 Wall, MIL-C-83503/21 Qualified



Sheet 2 of 3

TS-0131-06

NOTE 1. ACCEPTS REAR MOUNTING HARDWARE:

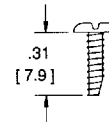
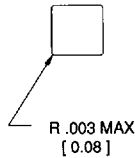
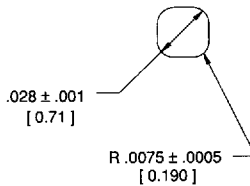
PIN CROSS SECTIONS

SOLDER TAIL

.0245 ± .0005
[0.622]

WRAPPOST

.025 ± .002
[0.64]



2 PANHEAD THREAD CUTTING SCREW
(#4-24x5/16") PROVIDED.
TYPE BG
MATERIAL: STAINLESS STEEL

Inch
[mm]

Tolerance Unless Noted			
	.0	.00	.000
Inch	± .1	± .01	± .005

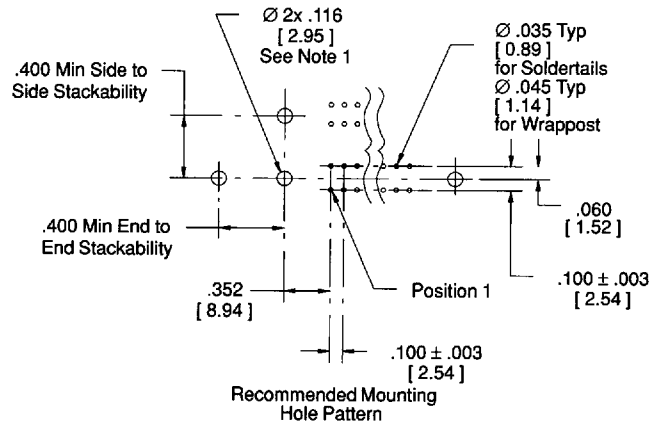
[] Dimensions for Reference Only

.100" x .100" Straight Header

3 Wall, MIL-C-83503/21 Qualified

Sheet 3 of 3

Pos	3M Part Number	Military Part Number	Dimension					Polarization Notches Provided
			A	B	C	D Ref	E ± .013	
14	M3314-2302 -2303 -4305	M83503/21-04 /21-05 /21-06	1.46 [37.1]	1.30 [33.0]	.91 [23.1]	2.38 [60.5]	.102 [2.59] .165 [4.19] .61 [15.5] Ref	B C
16	M3408-2302 -2303 -4305	M83503/21-07 /21-08 /21-09	1.56 [39.6]	1.40 [35.6]	1.01 [25.7]	2.48 [63.0]	.102 [2.59] .165 [4.19] .61 [15.5] Ref	A B C
20	M3428-2302 -2303 -4305	M83503/21-10 /21-11 /21-12	1.76 [44.7]	1.60 [40.6]	1.21 [30.7]	2.68 [68.1]	.102 [2.59] .165 [4.19] .61 [15.5] Ref	A B C
26	M3429-2302 -2303 -4305	M83503/21-13 /21-14 /21-15	2.06 [52.3]	1.90 [48.3]	1.51 [38.4]	2.98 [75.7]	.102 [2.59] .165 [4.19] .61 [15.5] Ref	A B C
34	M3431-2302 -2303 -4305	M83503/21-16 /21-17 /21-18	2.46 [62.5]	2.30 [58.4]	1.91 [48.5]	3.38 [85.9]	.102 [2.59] .165 [4.19] .61 [15.5] Ref	A B C
40	M3432-2302 -2303 -4305	M83503/21-19 /21-20 /21-21	2.76 [70.1]	2.60 [66.0]	2.21 [56.1]	3.68 [93.5]	.102 [2.59] .165 [4.19] .61 [15.5] Ref	A B C
50	M3433-2302 -2303 -4305	M83503/21-22 /21-23 /21-24	3.26 [82.8]	3.10 [78.7]	2.71 [68.8]	4.18 [106.2]	.102 [2.59] .165 [4.19] .61 [15.5] Ref	A B C
60	M3372-2302 -2303 -4305	M83503/21-25 /21-26 /21-27	3.76 [95.5]	3.60 [91.4]	3.21 [81.5]	4.68 [118.9]	.102 [2.59] .165 [4.19] .61 [15.5] Ref	A B C



TS-0131-06

Ordering Information

3M Part Number
MXXXX-X30X

3M Part Number
See Table

Tail Type:
2 = Straight Soldertail
4 = Straight Wrappost

Contact Tail
2 = Soldertail for .062 [1.57] PWB
3 = Soldertail for .125 [3.18] PWB
5 = Wrappost for up to 3 levels of
Wire Wrap