

# SINGLE ROW CRIMP CONNECTOR HOUSING



## 1580 SERIES. 1.50 mm. (0.059") Pitch.

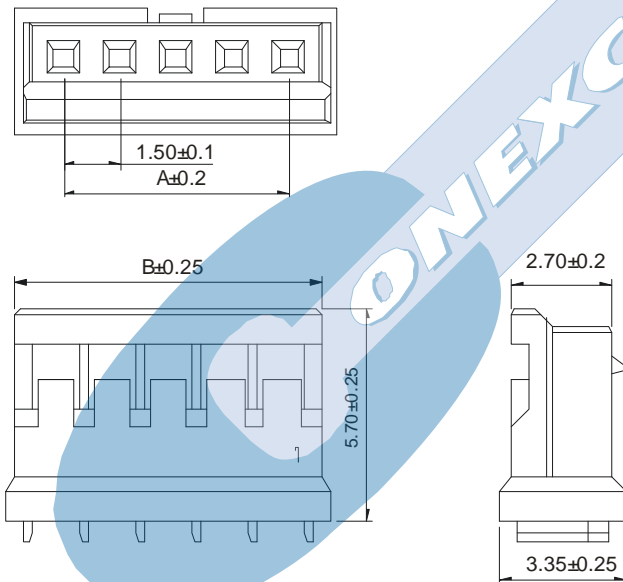
### General Features

- Available in 2 through 15 circuits
- Mates with 1.50 mm header 1581 and 1582 series
- Latch housing secure terminal in housing and provide extra terminal retention
- Use crimp terminal 1583

### Materials

- Insulator: Polyester UL 94 V-0
- Operating temperature. -25°C to +85°C
- RoHS compliant

### Dimensional Information



### Electrical Features

- Voltage rating: < 100 V
- Current rating: < 1 A
- Contact resistance: < 20 mΩ
- Dielectric withstanding voltage: 250 V AC/minute
- Insulation resistance: >100 MΩ

### Mechanical Features

- Durability: 25 cycles



**1580 - 2- XX- 1**  
1 2 3

1. Connector Serie

3. (XX) Number of circuits

- Available in 2 through 15 circuits

Dimensions: (in mm.)

A =  $1.50 \times (XX*1)$

B =  $1.50 \times (XX)+1.30$

(XX) = Number of circuits