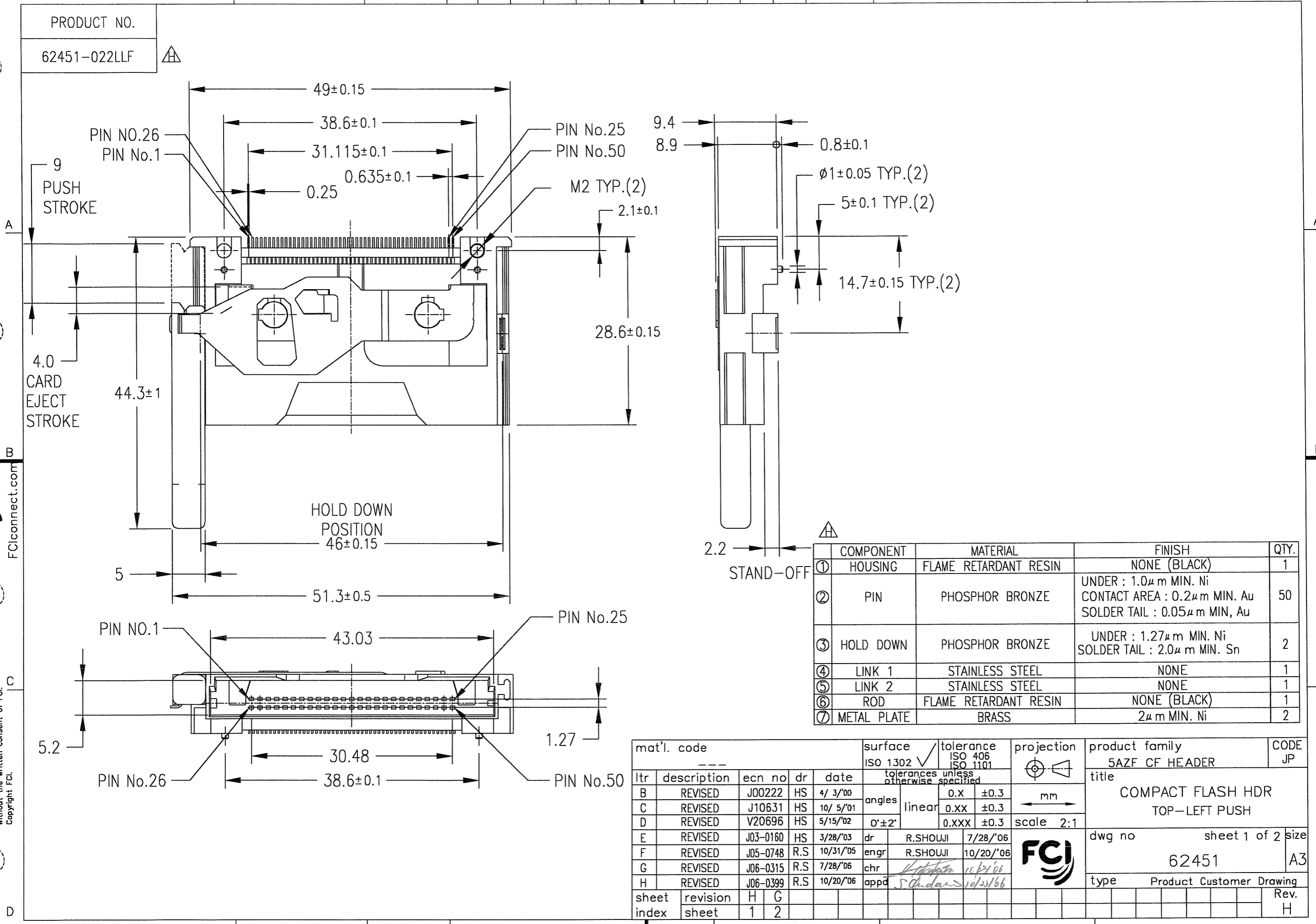


This document is the property of and embodies CONFIDENTIAL and PROPRIETARY information of FCI. No part of the information shown on this document may be used in any way or disclosed to others without the written consent of FCI. Copyright FCI.

FCI CONFIDENTIAL



	COMPONENT	MATERIAL	FINISH	QTY.
①	HOUSING	FLAME RETARDANT RESIN	NONE (BLACK)	1
②	PIN	PHOSPHOR BRONZE	UNDER : 1.0μm MIN. Ni CONTACT AREA : 0.2μm MIN. Au SOLDER TAIL : 0.05μm MIN. Au	50
③	HOLD DOWN	PHOSPHOR BRONZE	UNDER : 1.27μm MIN. Ni SOLDER TAIL : 2.0μm MIN. Sn	2
④	LINK 1	STAINLESS STEEL	NONE	1
⑤	LINK 2	STAINLESS STEEL	NONE	1
⑥	ROD	FLAME RETARDANT RESIN	NONE (BLACK)	1
⑦	METAL PLATE	BRASS	2μm MIN. Ni	2

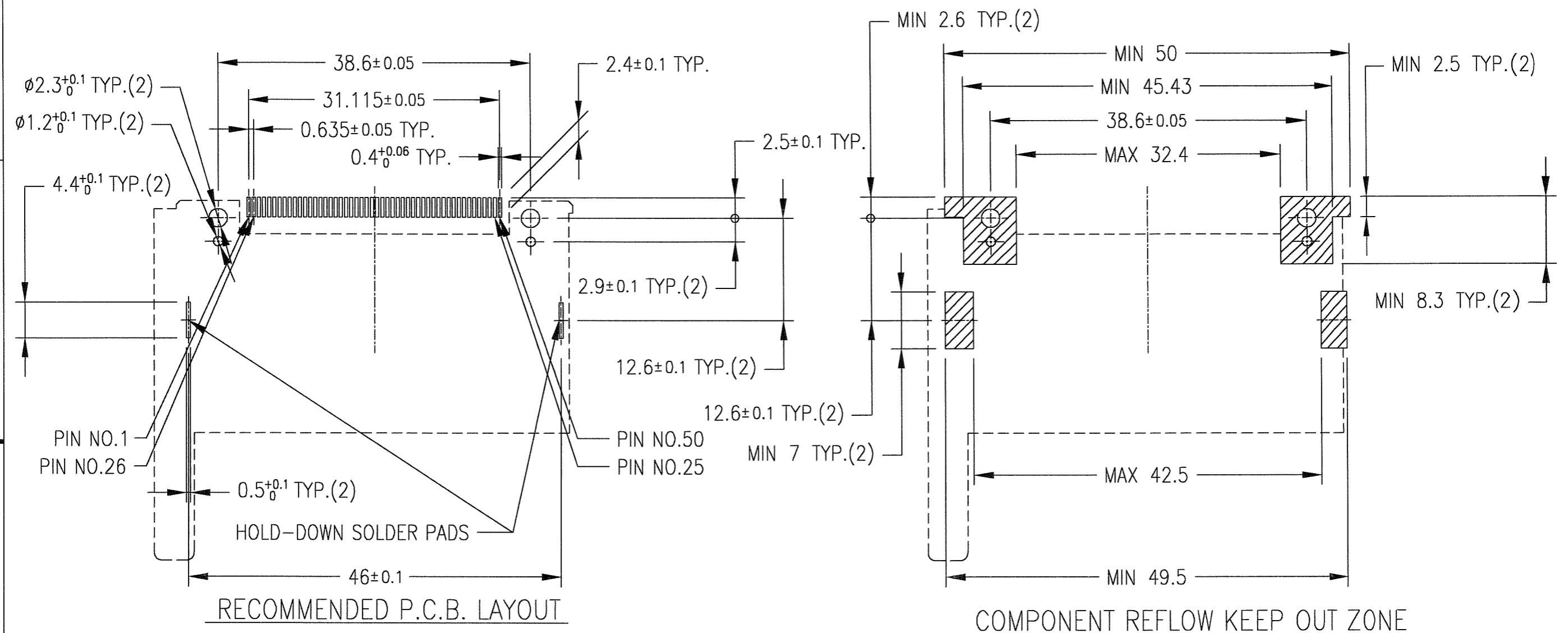
mat'l. code		surface		tolerance		projection		product family		CODE	
---		ISO 1302		ISO 406 ISO 1101		mm		5AZF CF HEADER		JP	
ltr		description		ecn no		dr		date		title	
B	REVISED	J00222	HS	4/ 3/'00	tolerances unless otherwise specified		mm		COMPACT FLASH HDR		
C	REVISED	J10631	HS	10/ 5/'01	angles	0.X	±0.3	TOP-LEFT PUSH			
D	REVISED	V20696	HS	5/15/'02	linear	0.XX	±0.3	scale 2:1			
E	REVISED	J03-0160	HS	3/28/'03	0°±2'	0.XXX	±0.3	dwg no		sheet 1 of 2	
F	REVISED	J05-0748	R.S	10/31/'05	dr	R.SHOUJI	7/28/'06	62451		A3	
G	REVISED	J06-0315	R.S	7/28/'06	enr	R.SHOUJI	10/20/'06	FCI			
H	REVISED	J06-0399	R.S	10/20/'06	chr			type		Product Customer Drawing	
sheet index		revision		H		G		Rev.		H	
sheet		1		2							

form: A3

FCI CONFIDENTIAL

This document is the property of and embodies CONFIDENTIAL and PROPRIETARY information of FCI. No part of the information shown on this document may be used in any way or disclosed to others without the written consent of FCI. Copyright FCI.

PRODUCT NO.  
62451-022LLF



- NOTE
- PRODUCT SPECIFICATION : 110-404
  - PACKAGING SPECIFICATION : GES-14-620
  - RECOMMENDED TIGHTENING TORQUE : 0.127N.m [1.3kgf.cm]
  - SOLDER TAIL CO-PLANARITY : MAX 0.1
  - RECOMMENDED HOLD-DOWN SCREW  
M 2mm X 6mm SCREWS(FCI P/N ; 95121-001)  
FOR 0.062in/1.57mm THICK PCB
  - FOR LEAD FREE P/N, THE PRODUCT MEETS EUROPEAN UNION DIRECTIVES AND OTHER COUNTRY REGULATIONS AS DESCRIBED IN GS-22-008.
  - THE HOUSING WILL WITHSTAND EXPOSURE TO 260°C PEAK TEMPERATURE FOR 10 SECONDS IN A CONVENTION, INTRA-RED OR VAPOR PHASE REFLOW OVEN.

mat'l. code				surface		tolerance		projection		product family		CODE
---				ISO 1302		ISO 406 ISO 1101		mm		5AZF CF HEADER		JP
ltr	description	ecn no	dr	date	tolerances unless otherwise specified			mm		title		
A	RELEASED	J90308	HS	8/27/'99	angles	linear	0.X	±0.3	COMPACT FLASH HDR			
B	REVISED	J00222	HS	4/3/'00			0.XX	±0.3	TOP-LEFT PUSH			
C	REVISED	J10631	HS	10/5/'01	0°±2'		0.XXX	±0.3	scale 2:1			
D	REVISED	V20696	HS	5/15/'02	dr	R.SHOUJI	7/28/'06	FCI		sheet 2 of 2		size
E	REVISED	J05-0748	R.S	10/31/'05	enrg	R.SHOUJI	10/20/'06			62451		A3
F	REVISED	J06-0315	R.S	7/28/'06	chr		10/20/'06			type		Product Customer Drawing
G	REVISED	J06-0399	R.S	10/20/'06	appd		10/20/'06					Rev.
sheet index		revision sheet										G